

Features

- Slave I/O unit with DCON protocol
- RS-232 or RS-485 communication Interface
- Supports I/O configurable using DCON Utility
- 4/8 Slots for I-8K and I-87K Modules
- Built-in Watchdog
- Operating Temperature: -25 ~ +75°C

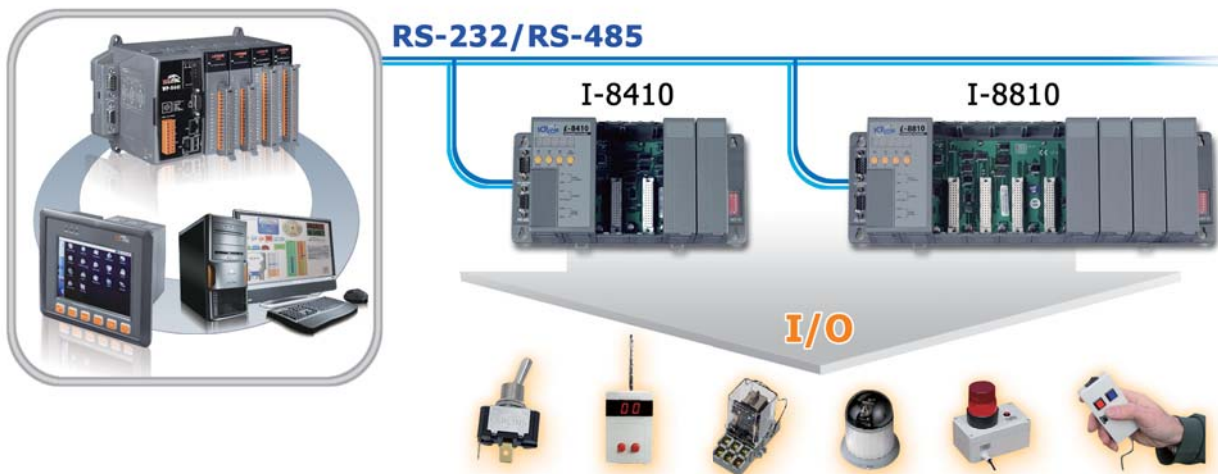


Introduction

The I-8410 and I-8810 are embedded serial I/O units using DCON Protocol Firmware. ICPDAS provides various I/O modules, such as analog input/output, digital input/output and counter/frequency modules, which can be used in remote data acquisition and control applications for environment monitoring, power management and factory automation, etc.

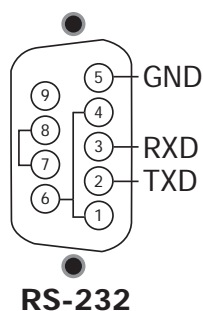
Applications

Rich I/O Expansion Ability

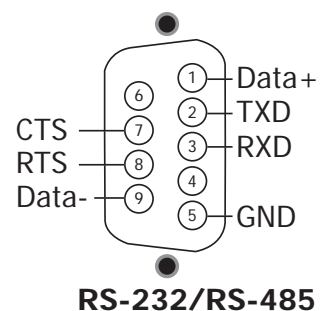


Pin Assignment

The COM1 Pin assignment



The COM3 Pin assignment

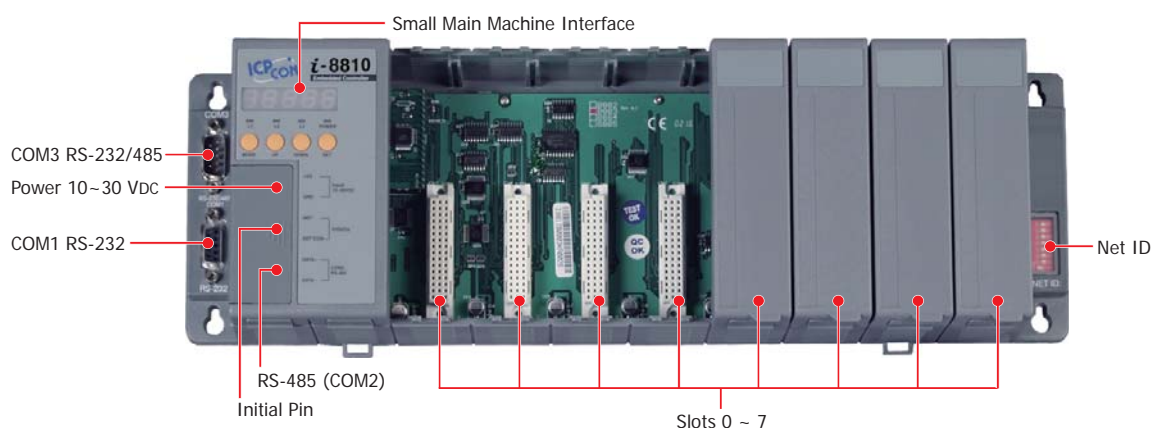


Specifications

Models	I-8410	I-8810
Interface Type : RS232 or RS485		
Protocol	DCON Protocol	
COM 1	RS-232 (115200 bps maximum)	
COM 2	RS-485 (Data+, Data-) with internal self-tuner ASIC; 3000 VDC isolated	
COM 3	RS-232 or RS-485 (115200 bps maximum)	
SMMI		
5 - Digit LED Display	Yes	
3 - Programmable LED Indicators	Yes	
4 - Push Buttons	Yes	
I/O Expansion Slots		
Auto Configuration	Yes	
Support Module Type	Low profile I-8K and I-87K module	
Slots Numbers	4 Slots	8 Slots
Mechanical		
Dimensions (W x L x H)	230 mm x 110 mm x 75.5 mm	354 mm x 110 mm x 75.5 mm
Installation	DIN-Rail or Wall Mounting	
Environmental		
Operating Temperature	-25 ~ +75°C	
Storage Temperature	-30 ~ +80°C	
Ambient Relative Humidity	10 ~ 90% RH (non-condensing)	
Power		
Protection	Power reverse polarity protection	
3 KV power isolation	-	
Power requirement	10 ~ 30 Vdc	
Power supply	20 W	
Power consumption	3.9 W	5.1 W

Appearance

I-8810



Ordering Information

I-8410	I-8410 Embedded I/O unit
I-8810	I-8810 Embedded I/O unit
I-8410-G	I-8410 Embedded I/O unit with gray color
I-8810-G	I-8810 Embedded I/O unit with gray color

Accessories

I-7560 CR	USB to RS-232 Converter (RoHS)
IM-7561 CR	USB to RS-485 Converter (RoHS)
DP-665	AC 85 ~ 270 V input, DC 24 V/1.7 A and 5 V/0.5 A output power supply