

MRS-800 / MRS-801-RE

MRS series

8" RISC-Based Power-Over-Ethernet Panel PC



I/O View



MRS-800



MRS-801-RE

Features

- High-Performance ARM-based processor
- 8" SVGA TFT LCD with resistive touch screen
- User-defined status LED light bar
- Supports USB OTG (USB On-The-Go)
- Compact fanless design with plastic housing
- Supports Android 4.0X(MRS-801-RE only)
- Programmable LED light bar



- Android support



- 12V DC or PoE power input



- SD card slot with safety cover



MRS-800 / MRS-801-RE

Specifications

Model No.	MRS-800	MRS-801-RE	
Display & Touch Screen	Display Size	8" TFT LCD	8" TFT LCD
	Max. Resolution	800 x 600	800 x 600
	Luminance (cd/m ²)	250	250
	Contrast	500:1	500:1
	Max. Color	262K	262K
	View Angle (H°/V°)	140/120	140/120
	Backlight Lifetime(hrs)	20000	30000
	Touch Type	Resistive	Resistive
	Touch Interface	USB	USB
	Light Transmission (%)	80	80
	Point of touch	1	1
I/O Interface	USB 3.0	0	0
	USB 2.0	1x USB (USB Host. A-Type) 1x USB OTG (mini AB type)	1x USB (USB Host. A-Type) 1x USB OTG (mini AB type)
	RS-232/422/485 Selectable under BIOS	0	1 (via RJ-45 connector)
	RS-232	1 (via RJ45 connector)	0
	LAN	1x 10/100 LAN w/ PoE	1x GbE w/ PoE
	Additional Graphics	None	None
	Audio	None	None
	Digital I/O	None	None
	Power Connector	Power jack	Power jack
	Power Button	Reset button	Reset button
	Mechanical	Dimensions (mm)	211.6 x 171.2 x 33.5
Net Weight (kgs)		1.1	1.1
System	Processor	TI AM3517 600 MHz	Freescall i.MX6 Cortex A9 Solo (Single-Core @ 1GHz)
	Memory	DDR2 256MB	1GB DDR3 memory
	Thermal Design	Fanless	Fanless
	Membrane Control	None	None
	Built-in Speaker/MIC	None	None
Expansion	Internal Expansion Bus	1x Mini PCI-E slot (full/half size)	1x Mini PCI-E slot (full/half size)
	Expansion Slot	None	None
	Wireless	Optional Wi-Fi/BT	Optional Wi-Fi/BT
Storage Space	HDD	NAND 512MB	1x 4GB eMMC on board
	Removable	1x SD card slot	1x SD card slot
Power	Power Input Range	12V DC / PoE	12V DC / PoE+
Construction	Chassis Material	Plastic	Plastic
	Color (Front/Back)	Black / Black	Black / Black
	IP Rating	IP65 front bezel	IP65 front bezel
	Mounting	VESA 75x75 mm	VESA 75x75 mm
Environment	Operating Temperature	0°C ~ 45°C	0°C ~ 50°C
	Storage Temperature	-20°C ~ 80°C	-20°C ~ 60°C
	Storage Humidity	5~90% @ 45°C, (non-condensing)	10%~90% (non-condensing)
	Certification	CE/FCC Class B	CE/FCC Class B
	Operating System Support	Android 2.2X	Android 4.X

1 Stainless Steel Panel PC

2 All-in-one Panel PC with
Riser Card Expansion

3 Compact Panel PC

4 Outdoor Panel PC

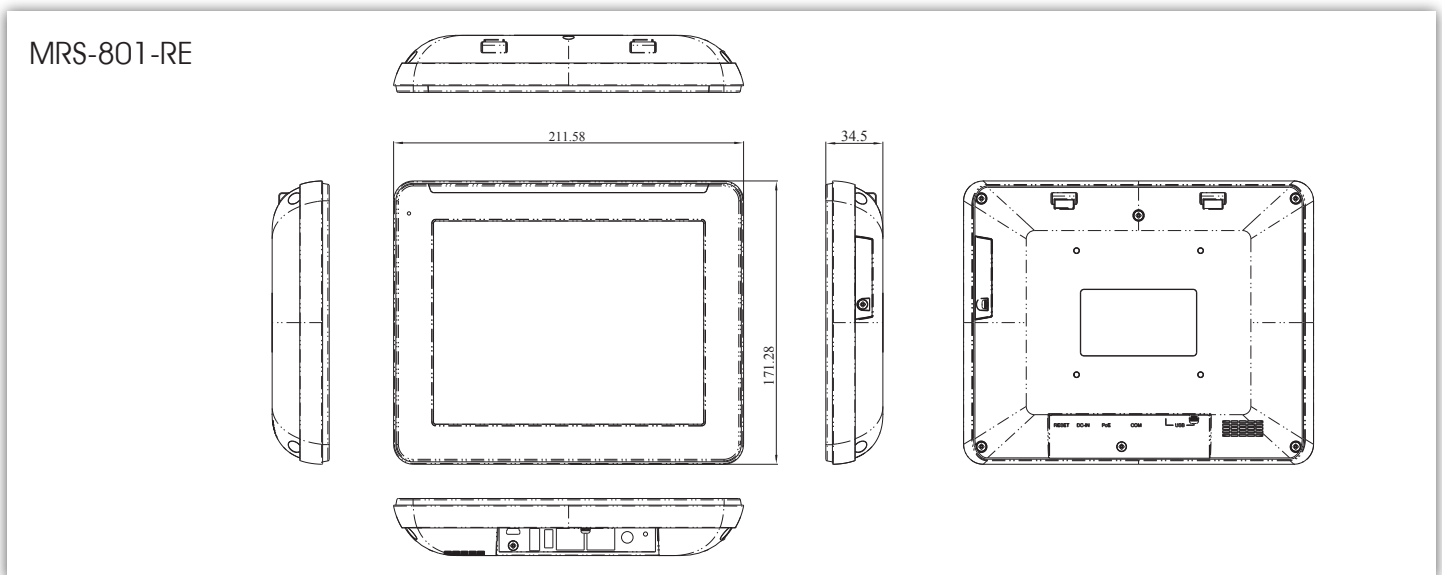
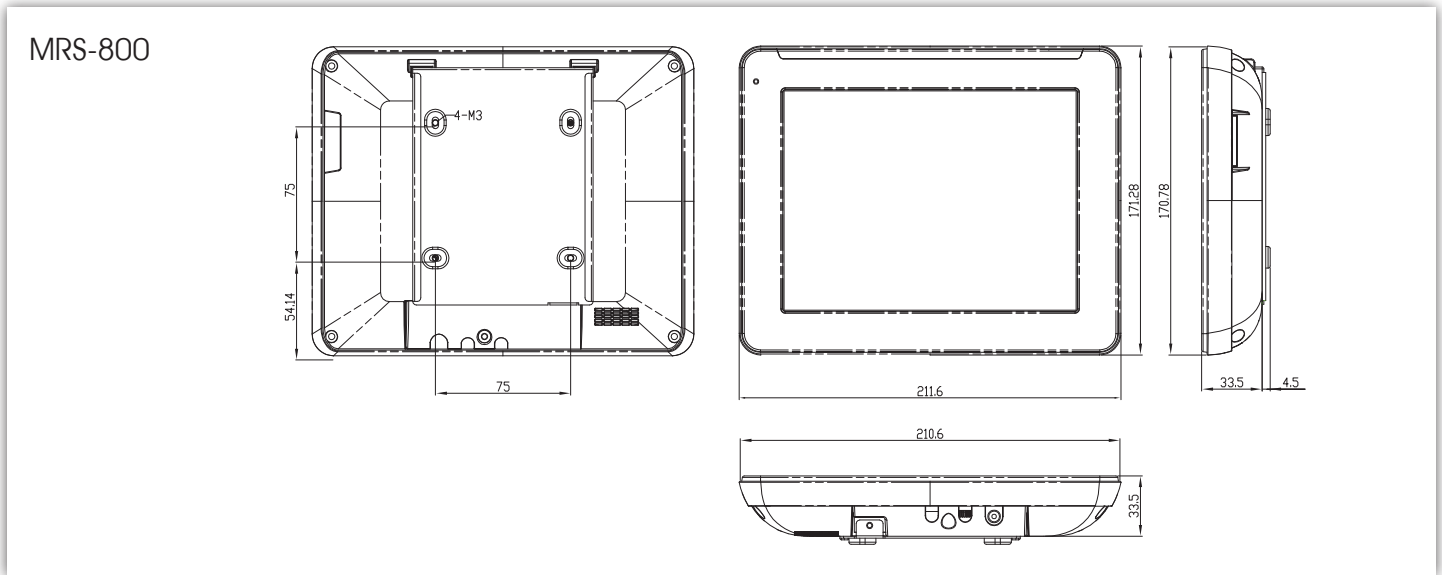
5 Heavy-duty Industrial
Panel PC

6 ARM-Based Panel PC

7 ARM-Based HMI

MRS-800 / MRS-801-RE

Dimensions



Ordering Information

MRS-800	RISC 8" Panel PC with resistive touch TI AM3517 600MHz CPU, 256MB DDR2 on board, 512MB NAND flash, w/ 60W power adaptor
MRS-801-RE	RISC 8" Panel PC with resistive touch, i.MX6 Cortex A9 CPU, 1GB DDR3 on board, supports Android, w/ 60W power adaptor



Backplane
Systems
Technology

Backplane Systems
Technology Pty Ltd

TEL 02 9457 6400
sales@backplane.com.au
www.backplane.com.au