

15" Industrial Panel PC

PPC-5150A-H61

Intel® Core™ i7/ i5/ i3, Pentium® and Celeron® Processor



Features

- High brightness TFT-LCD panel with LED backlight
- Multiple storage options: 2.5" SATA HDD, CF slot and mSATA
- Dual Ethernet provides continuous network service and allows sharing among different workgroups in two different subnets
- Optional PCI / PCIe x 1 expansion slot
- Optional slim type CD-ROM drive bay
- Robust aluminum front bezel and metal casing
- IP 66 compliant front panel
- IEI One Key Recovery solution allows you to create rapid OS backup and recovery (over 4GB storage capacity)



Specifications

Model		PPC-5150A-H61
Display	LCD Size	15 "
	Max. Resolution	1024(W) x 768(H)
	Brightness (cd/m ²)	450
	Contrast Ratio	800 : 1
	LCD Color	16.2M
	Pixel Pitch (mm) (HxV)	0.297(H) x 0.297(V)
	Viewing Angle (V/H)	150°/160°
	Backlight MTBF (hrs)	50000
Touch	Touchscreen	5-wire resistive type with RS-232 interface
	Touch Controller	DMC 9000
Motherboard	SBC	POS-H61
	CPU	2nd/3rd generation Intel® Core™ i7/ i5/ i3, Pentium® and Celeron® processor, up to TDP 65W CPU
	Chipset	Intel® H61
	RAM	Two 204-pin DDR3 SO-DIMM slots (max. 16GB)
	Ethernet	Realtek RTL8111E PCIe GbE controller supporting ASF 2.0
	Audio Codec	Realtek ALC662 audio codec
I/O Ports and Switches	4 x RS-232 COM port	1 x Audio (Line-out, MIC-in)
	1 x RS-232/422/485 port	2 x SFP fiber LAN
Drive Bay	2 x RJ-45 for LAN port	1 x Power switch
	4 x USB 2.0, 2 x USB 3.1 Gen 1 (5Gb/s) on rear	1 x AT / ATX switch
	1 x VGA port	1 x PCI/PCIe slot
	HDD Drive Bay	1 x 2.5" SATA/IDE HDD bay with anti-shock
	SSD	CF Type II, mSATA (SATA2 signal)
	CD-ROM Driver Bay	SATA slim type CD-ROM bay
Expansion Slot		Either 1 x PCI slot or 1 x PCIe slot,
		1 x PCIe Mini card
Physical	Front Panel Construction	Aluminum
	Chassis Construction	Heavy-duty steel
	Mounting	Panel, wall, rack, stand and arm (VESA 100 mm x 100 mm)
	Front Panel Color	Silver (Pantone 8001C)
	Dimensions (WxHxD) (mm)	410 x 309 x 110.5
	Cut Out Dimensions (WxH) (mm)	387 x 286
	Net/Gross Weight	7 kg / 11 kg
	Environment	Operating Temperature
Storage Temperature		-30°C ~ 70°C
System Cooling		Active with fan
Vibration		5~17Hz, 0.1 double amplitude displacement 17~640Hz 1.5G acceleration peak to peak
Shock		10G acceleration part to part (11ms)
IP Rating		Front IP66 Compliant
Power Supply	AC Input	AC input ATX power supply - P/N: 63030-010220-100-RS - 220W power supply - Input: 90VAC~264VAC, 50/60Hz - Output (max.): 3.3V@10A, 5V@14A, 12V@14A, -12V@0.3A
	DC Input	DC input ATX power supply - P/N: ACE-4520C-RS - 200W power supply - Input: 24 VDC (18~36 VDC) - Output (max.): 3.3V@12A, 5V@12A, 12V@15.4A, -12V@0.5A

Ordering Information

Part No.	Description
PPC-5150A-H61-P/R-R20	15" 450 cd/m ² XGA panel PC with POS-H61, Intel® Pentium® G6xxT dual-core CPU (above 2.2GHz), TDP 35W, 2GB DDR3 RAM*2, Silver color, AC input PSU, touch screen, R20
PPC-5150AD-H61-P/R-R20	15" 450 cd/m ² XGA panel PC with POS-H61, Intel® Pentium® G6xxT dual-core CPU (above 2.2GHz), TDP 35W, 2GB DDR3 RAM*2, Silver color, PSU ACE-4520C, touch screen, R20
PPC-5150A-H61-i3/R-R20	15" 450 cd/m ² XGA panel PC with POS-H61, Intel® Core™ i3 2xxxT dual-core CPU (above 2.5GHz), TDP 35W, 2GB DDR3 RAM*2, Silver color, AC input PSU, touch screen, R20
PPC-5150AD-H61-i3/R-R20	15" 450 cd/m ² XGA panel PC with POS-H61, Intel® Core™ i3 2xxxT dual-core CPU (above 2.5GHz), TDP 35W, 2GB DDR3 RAM*2, Silver color, PSU ACE-4520C, touch screen, R20
PPC-5150A-H61-i5/R-R20	15" 450 cd/m ² XGA panel PC with POS-H61, Intel® Core™ i5 2xxxT dual-core CPU (above 2.7GHz), TDP 35W, 2GB DDR3 RAM*2, Silver color, AC input PSU, touch screen, R20
PPC-5150AD-H61-i5/R-R20	15" 450 cd/m ² XGA panel PC with POS-H61, Intel® Core™ i5 2xxxT dual-core CPU (above 2.7GHz), TDP 35W, 2GB DDR3 RAM*2, Silver color, PSU ACE-4520C, touch screen, R20
PCIR-01H-R10	One PCI slot riser card
PCIER-101H-R10	One PCIe x1 slot riser card

IQ Mounting Options

Item	Part No.
Rack Mount Kit	RK-150MS-R10
Arm	ARM-31-RS
Stand	STAND-210-R11

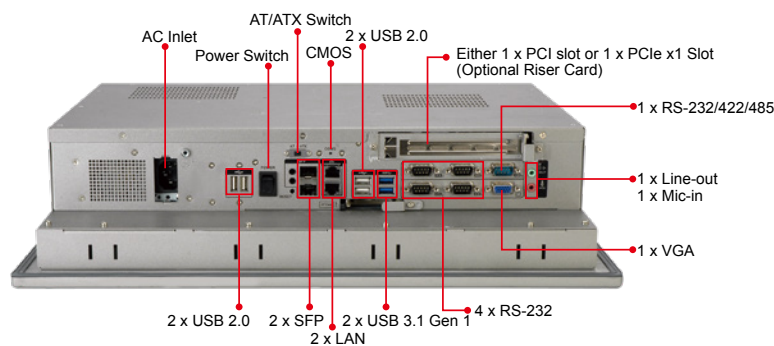
Options

Item	Description
EMB-WIFI-KIT01-R20	Wi-Fi module with RF cable and antenna, 1T1R, 802.11b/g/n
73400-AD7760H01-RS	Slim type SATA DVD-ROM

Packing List

Item	Part No.	Remark
SATA CD-ROM Cable	32803-000300-100-RS	Slim-line SATA 7+6P to SATA 7P/4P power, L=200/150 mm
Power Cord	32000-000002-RS	European standard, 1830 mm, plug (16A, 250V), connector (10A, 250V)
Panel Mount Kit	19Z00-000024-RS	19Z00-000024-RS x8
Wall Mount Kit	41020-016102-00-RS	
Touch Pen		

Fully Integrated I/O



PPC-5150A-H61 Dimensions (Unit: mm)

