

I-7560

USB to RS-232 Converter

I-7560U *NEW*

USB to RS-232 Converter (Windows 8 / 8.1)



Features ▶▶▶

- Fully Compliant with the USB 1.1/2.0/3.0
- Transmission speed up to 921.6 kbps (For I-7560U)
- No External Power Supply required
- Operating Temperatures, -25 °C ~ +75 °C

Introduction

The I-7560/I-7560U provides a Windows serial COM port via its USB connection and is compatible with new and legacy RS-232 devices. USB Plug-and-Play allows easy serial port expansion and requires no IRQ, DMA, or I/O port settings manually.

The I-7560/I-7560U features a full set of RS-232 modem data and control signals (TxD, RxD, RTS, CTS, DSR, DTR, DCD, RI and GND) on its PC compatible DB-9 male connector. It also features a high-speed 115200 bps transmission rate.

The I-7560/I-7560U is powered from the USB bus and no additional power supply is needed.

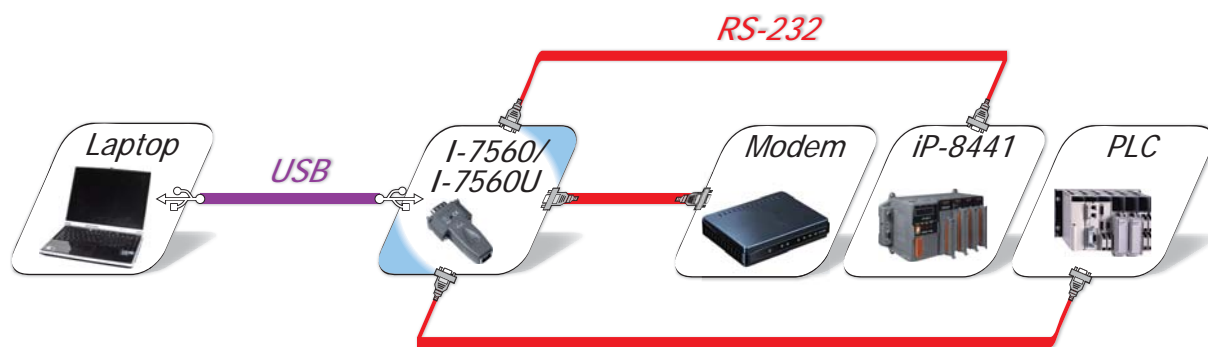
Software

I-7560 Driver	Windows 98/ME/2000/XP/Vista (32/64-bit)/7 (32/64-bit)/Linux
I-7560U Driver	Windows 98/ME/2000/XP/Vista (32/64-bit)/7 (32/64-bit)/8 (32/64-bit)/8.1 (32/64-bit)/Linux

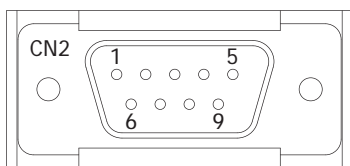
System Specifications

Models	I-7560	I-7560U
Interface		
USB	Fully Compliant with the USB 1.1/2.0/3.0	
RS-232	TxD, RxD, RTS, CTS, DSR, DTR, DCD, RI and GND; non-isolated	
Speed	300 ~ 115200 bps	300 ~ 921.6 kbps
Connector	RS-232	9-Pin Male D-Sub
	USB	Type B
Cable Included	CA-USB18 (1.8 m Cable) x 1	
LED Indicators		
Power	Yes	
Power		
Input Voltage Range	+5 V _{oc} from USB	
Power Consumption	0.3 W	
Mechanical		
Casing	Plastic	
Flammability	Fire-Retardant Materials (UL94-V0 Level)	
Dimensions (W x H x D)	33 mm x 60 mm x 15 mm	
Environment		
Operating Temperature	-25 °C ~ +75 °C	
Storage Temperature	-30 °C ~ +75 °C	
Humidity	10 ~ 90% RH, non-condensing	

Applications

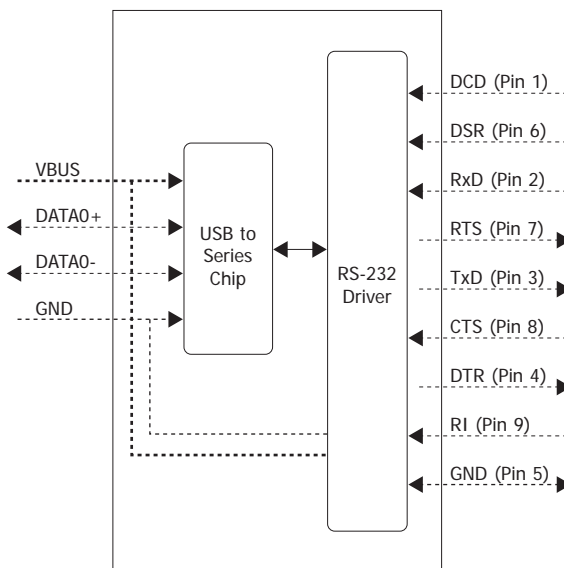


Pin Assignments

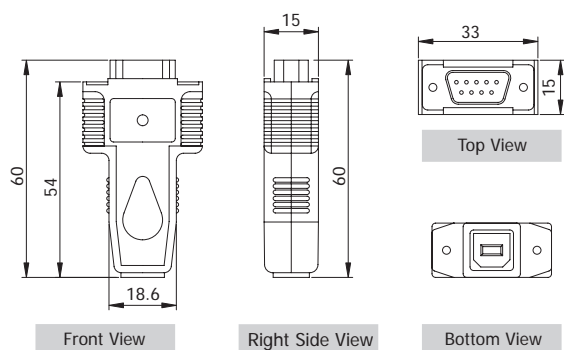


Pin	Signal	Mode
01	DCD Data Carrier Detect	Input
02	RxD Receive Data	Input
03	TxD Transmit Data	Output
04	DTR Data Term Ready	Output
05	GND Ground	--
06	DSR Data Set Ready	Input
07	RTS Request To Send	Output
08	CTS Clear To Send	Input
09	RI Ring Indicator	Input

Internal I/O Structure



Dimensions (Unit: mm)



Ordering Information

I-7560 CR	USB to RS-232 Converter (RoHS)
I-7560U CR	USB to RS-232 Converter (RoHS)

Accessories

USB-2560 CR Industrial 4-port USB 2.0 Hub	CA-USB18 USB Type A to Type B Cable
---	---

