

# InnoRobust II 2.5" SATA SSD



## Features

- Compliant with MIL-STD-810-F/G
- Data Security (QEraser/ SEraser/ Destroy/ Write Protect)
- Excellent data transfer rate
- Conformal coating (Optional)
- iCell technology for data protection

R:170MB/s W:140MB/s	SATA II 3Gb/s	ECC & Wear leveling
Thermal sensor	S.M.A.R.T	MIL-STD- 810F/G
Conformal Coating	Data Security	iCell Technology

## Specifications

Connector Type	Standard 7+15 pin SATA connector
Flash Type	SLC (Single Level Cell) MLC (Multi Level Cell)
Density	SLC: 8GB,16GB, 32GB, 64GB, 128GB, 256GB MLC: 32GB, 64GB, 128GB, 256GB, 512GB
Interface	SATA II 3.0Gb
Sustained R/W Performance	SLC Read : 170 MB/sec (max.) Write : 140 MB/sec (max.) MLC Read : 200 MB/sec (max.) Write : 120 MB/sec (max.)

## Environmental

DC Input	+5V DC $\pm$ 5%
Power consumption (Max.)	Read: 670 mA Write: 750 mA Idle: 480 mA
Operating Temperature	0 $^{\circ}$ C~+70 $^{\circ}$ C (Standard Grade) -40 $^{\circ}$ C~+85 $^{\circ}$ C (Industrial Grade)
Storage Temperature	-55 $^{\circ}$ C~+95 $^{\circ}$ C
Humidity	Relative Humidity: 10-95%, non-condensing
Flash Endurance	MLC: 3000 program/erase cycles SLC: 100,000 program/erase cycles
MTBF	> 3,000,000 hours
Certification	CE, FCC, RoHS
Warranty	5 years

## Mechanicals

Dimension (L x W x H)	100.10x69.85x9.30 mm
Weight	110g $\pm$ 5g
Vibration	20G, 7 Hz to 2K Hz, , 3 axes
Shock	1500G, Duration: 0.5ms, 3 axes

## Health monitoring Tool

S.M.A.R.T.	Supported
i-S.M.A.R.T.	Supported (Utility for Windows, Linux)

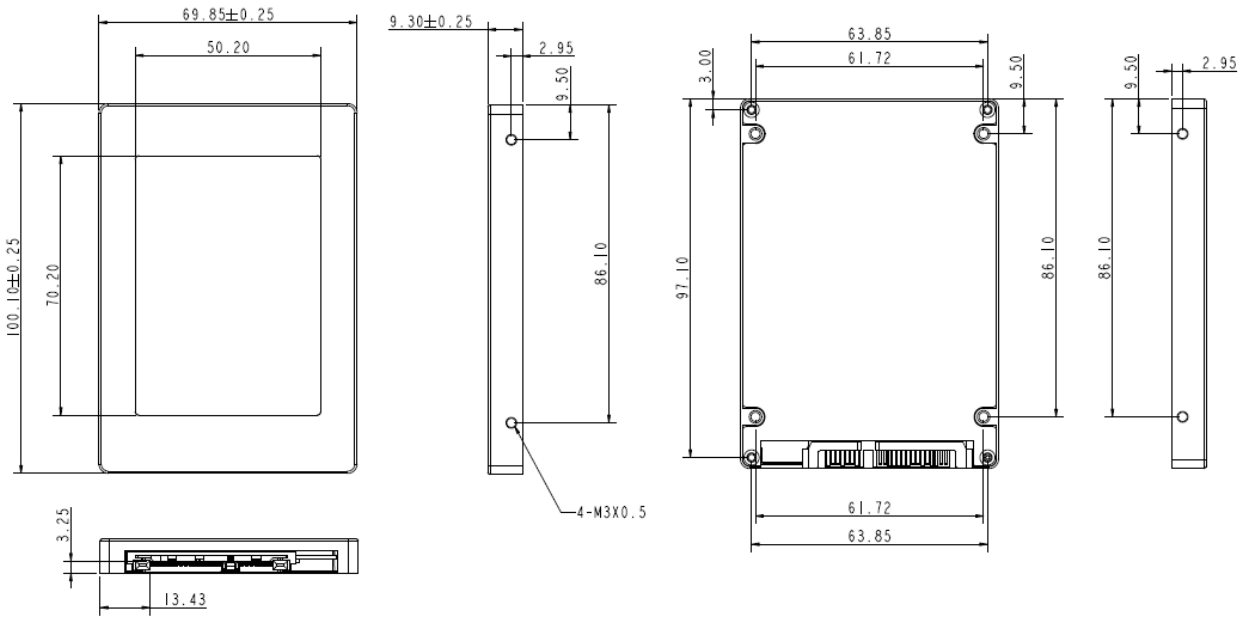
## Ordering Information

Capacity	Standard Grade	Industrial Grade
SLC		
8GB	D2SN-08GJ21A <b>C</b> 2EB	D2SN-08GJ21A <b>W</b> 2EB
16GB	D2SN-16GJ21A <b>C</b> 2EB	D2SN-16GJ21A <b>W</b> 2EB
32GB	D2SN-32GJ21A <b>C</b> 2EB	D2SN-32GJ21A <b>W</b> 2EB
64GB	D2SN-64GJ21A <b>C</b> 2EB	D2SN-64GJ21A <b>W</b> 2EB
128GB	D2SN-A28J21A <b>C</b> 2EB	D2SN-A28J21A <b>W</b> 2EB
MLC		
32GB	D2SN-32GJ21A <b>C</b> 1EN	D2SN-32GJ21A <b>W</b> 1EN
64GB	D2SN-64GJ21A <b>C</b> 1EN	D2SN-64GJ21A <b>W</b> 1EN
128GB	D2SN-A28J21A <b>C</b> 1EN	D2SN-A28J21A <b>W</b> 1EN
256GB	D2SN-B56J21A <b>C</b> 1EN	D2SN-B56J21A <b>W</b> 1EN
512GB	D2SN-C12J21A <b>C</b> 1EN	D2SN-C12J21A <b>W</b> 1EN

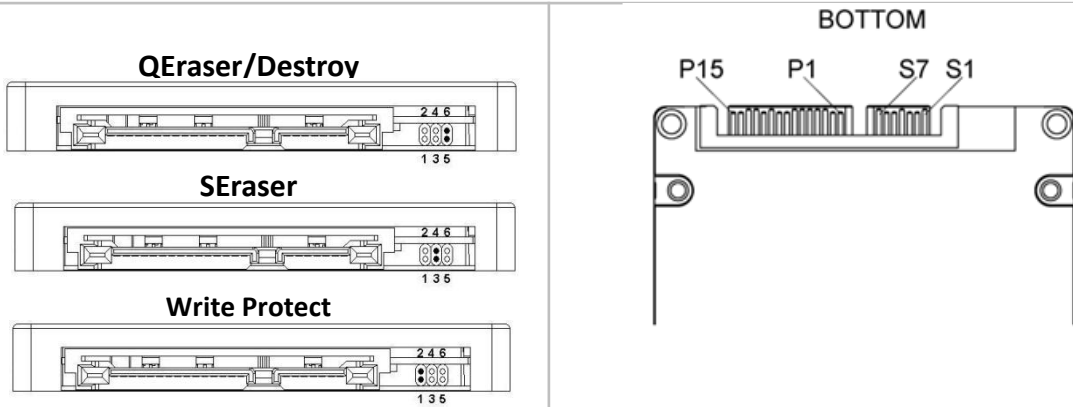
DESIGN • SERVICE • QUALITY • DELIVERY



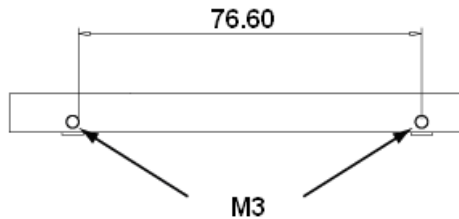
# Mechanical Dimension



# Signal and power segment



# Mechanical Screw Hole



DESIGN • SERVICE • QUALITY • DELIVERY



Backplane Systems Technology

Backplane Systems Technology Pty Ltd

TEL 02 9457 6400  
 sales@backplane.com.au  
 www.backplane.com.au

innodisk