



Features

- LED backlight
- Steel Chassis
- Resistive touch screen (optional)
- VGA input , 12V DC power jack
- DVI-I, RCA, S-Video (optional)
- 11~32V power (optional)

Specifications

System

On screen display On the rear side

IO Port

Graph 1 x VGA
 Option:
 1 x VGA
 1 x DVI-I
 1 x RCA
 1 x S-Video

Display

Display type 8" TFT-LCD
 Max. resolution 800x600
 Max. color 16.2M
 Luminance(cd/m²) 350
 View angle(H°/V°) 125/140
 Contrast 500:1
 Backlight lifetime(hrs) 40,000

Touch Screen

Type Resistive type
 Interface USB/RS-232
 Light transmission (%) 80%

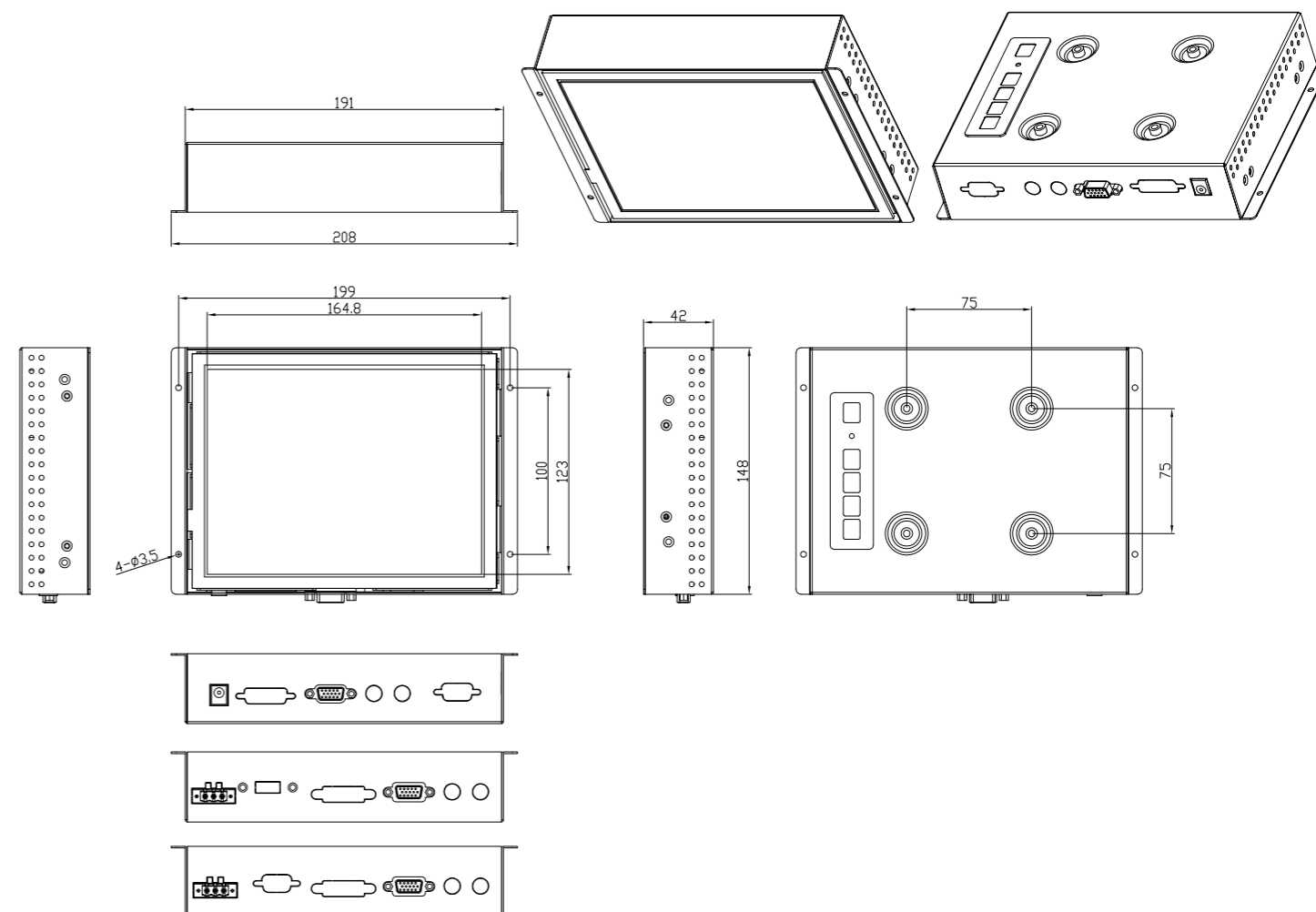
Power

Power input 12V
 Optional:
 11~32V DC

Mechanical

Construction Steel Chassis
 IP rating None
 Mounting Panel mounting, VESA 75 x 75
 Dimension(mm) 191(W)x148(H)x42(D)mm
 208(W)x148(H)x42(D)mm(panel mount)
 Net weight(Kgs) 1.2

Dimensions



Environment

Operating temperature(°C) 0°C ~ 50°C (32 ~ 122°F)
 Storage temperature(°C) -20°C ~ 60°C (-4 ~ 140°F)
 Storage humidity 10 to 90%@ 40°C, non-condensing
 Certification CE/FCC Class A



Backplane Systems Technology

Backplane Systems Technology Pty Ltd
 TEL 02 9457 6400
 sales@backplane.com.au
 www.backplane.com.au