



### Features ▶▶▶

- Provides 16 10/100 Mbps Ethernet ports
- Each port supports both 10/100 Mbps speed auto negotiation
- Supports 4 kV Ethernet ESD protection and 1 kV EFT protection
- Supports operating temperatures from -40 °C ~ +75 °C
- DIN-Rail Mounting, Wall Mounting
- Automatic MDI/MDI-X crossover for plug-and-play
- Store-and-forward architecture
- Full duplex IEEE 802.3x and half duplex backpressure flow control
- Supports Dual +12 V<sub>DC</sub> ~ +48 V<sub>DC</sub> power input and 1 relay output

### Introduction

The NSM-216 has 16 Ethernet ports that support 10/100 Base-TX, with a 10/100M auto negotiation feature and auto MDI/MDI-X function. It can connect 16 workstations and automatically switches the transmission speed (10 Mbps or 100 Mbps) for corresponding connections.

All Ethernet ports have memory buffers that support the store-and-forward mechanism, which assures that data can be transmitted properly. The NSM-216 supports advanced network standards to optimize network performance, reduce maintenance costs, and secure network safety.

The flow control mechanism is also negotiated. There is link/data rate LEDs for each port to aid troubleshooting. Port connectors are shielded RJ-45.

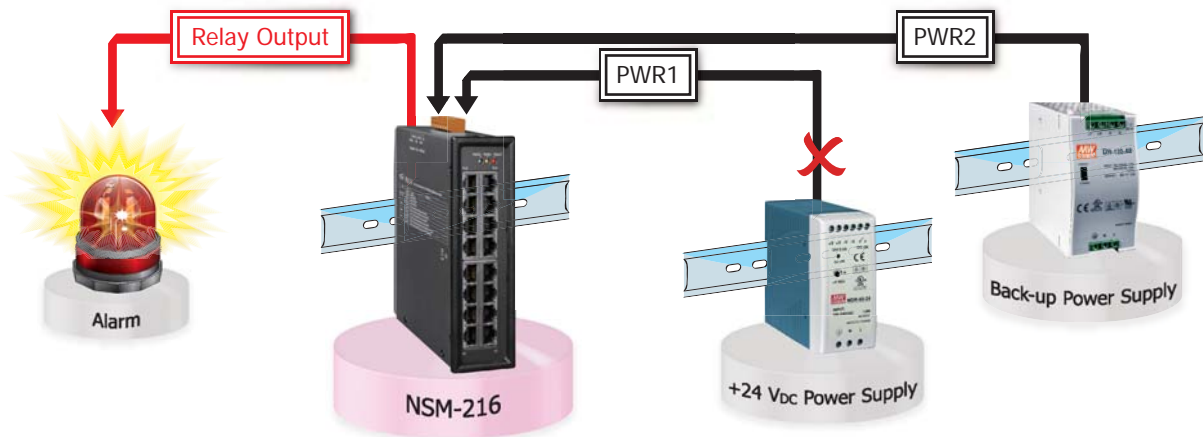
### Specifications

<b>Technology</b>	
<b>Standards</b>	IEEE802.3, 802.3u, 802.3x
<b>Processing Type</b>	Store & forward, wire speed switching
<b>MAC Addresses</b>	8K
<b>Memory Bandwidth</b>	3.2 Gbps
<b>Frame Buffer Memory</b>	3 Mbit
<b>Flow Control</b>	IEEE 802.3x flow control, back pressure flow control

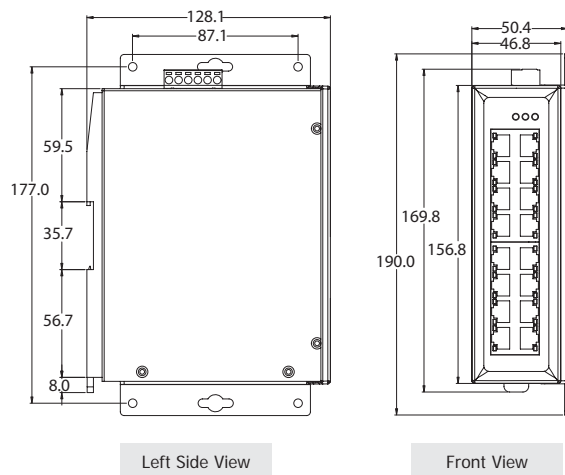
<b>Interface</b>	
RJ-45 Ports	10/100 Base-TX auto negotiation speed, F/H duplex mode, and auto MDI/MDI-X connection
LED Indicators	PWR1, PWR2, Power fail, 10/100M, Link/Act
Ethernet Isolation	1500 V <sub>rms</sub> 1 minute
<b>Power</b>	
Redundant Input Range	+12 V <sub>dc</sub> ~ +48 V <sub>dc</sub> (Non-isolated)
Power Consumption	0.6 A @ 24 V <sub>dc</sub>
Alarm Contact	One relay output with current carrying capacity of 1A @ 30 V <sub>dc</sub>
Protection	Power reverse polarity protection
Connector	6-Pin Removable Terminal Block (Power & Relay)
<b>Mechanical</b>	
Casing	Metal (IP30 Protection)
Dimensions (W x L x H)	47 mm x 128 mm x 160 mm
Installation	DIN-Rail Mounting or Wall Mounting
<b>Environmental</b>	
Operating Temperature	-40 °C ~ +75 °C
Storage Temperature	-40 °C ~ +85 °C
Ambient Relative Humidity	10 ~ 90% RH, non-condensing

### Redundant Power Input

Both power inputs can be connected simultaneously to live DC power sources. If one power source fails, the other live source will act as a backup, and automatically supplies all of NSM-216 series power needs.



### Dimensions (Units: mm)



### Ordering Information

NSM-216 CR	Unmanaged 16-port Industrial 10/100 Base-TX Ethernet Switch with metal casing (RoHS)
------------	--

### Accessories

MDR-20-24	24 V/1 A, 24 W Power Supply with DIN-Rail Mounting
DIN-KA52F	24 V/1.04 A, 25 W Power Supply with DIN-Rail Mounting
DIN-KA52F-48	48 V/0.52 A, 25 W Power Supply with DIN-Rail Mounting