



Features

- iSMART - for auto-scheduling and power resume
- iAMT (9.0), vPro and Watchdog timer
- Supports 4th Generation Intel® Core™ processors
- Integrated Intel® HD 4600 /4400
- 2x DisplayPort 1.2, 1x HDMI 1.4a
- 2x DDR3L-1600 SO-DIMM, dual channel, Max.16GB
- 1x Mini PCI-E (full-size) for Wi-Fi, Bluetooth, or 4G LTE
- Supports DX11.1, OpenCL 1.2, OpenGL 4.0
- Slim and segregated ventilation design

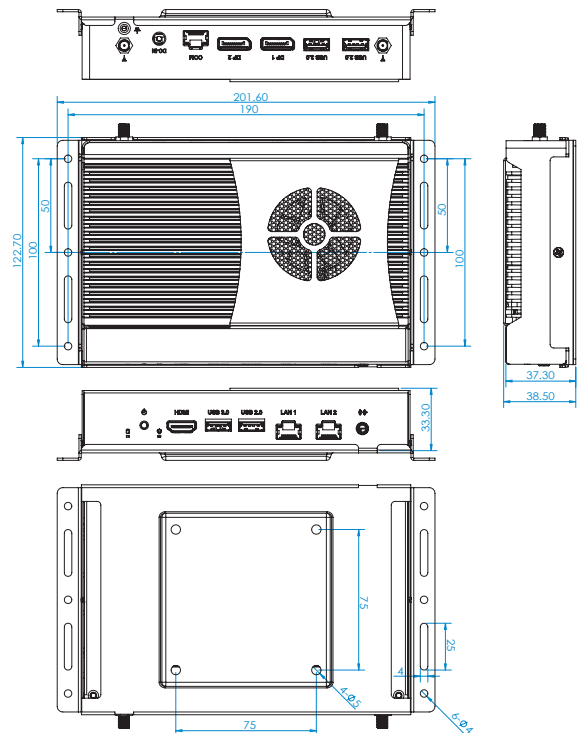
Specifications

System Mainboard	IB983
CPU Type	4th Generation Intel® Core™ i7-4700EQ 2.4GHz 4th Generation Intel® Core™ i5-4400E 2.7GHz
CPU Socket	FCBGA1364 package
Chipset	Intel® QM87
Memory	2x DDR3L-1600 SO-DIMM, Max. 16GB (Non-ECC)
Graphics	Intel® HD 4600 /4400 DX11.1, OpenCL 1.2, OpenGL 4.0 Supports 2x DisplayPort v1.3, & 1x HDMI 1.4a MVC HW Encode/Decode, Faster AVC Encode Full HW MPEG 2 Encode, JPEG/MJPEG HW Decode Gamut Mapping, Frame Rate Conversion
LAN	1x Intel® WGI217LM Gigabit LAN controller 1x Realtek RTL8111G-CG PCI-E Gigabit LAN controller
Expansion Slots	1x Mini PCI-E(full-size) for Wi-Fi, Bluetooth or 4G LTE options 1x SIM card slot
I/O Interface	1x HDMI 1.4a 2x DisplayPort 1.2 2x USB 3.0 ports, 2x USB 2.0 ports 2x RJ45 for Gigabit LAN 1x RJ45 for RS232 serial port 1x Microjack audio connectors for audio/Mic 1x Power on/off button 1x Reset button 1x DC jack
Auto Control and Monitoring	Watchdog Timer: 256 segments, 0, 1, 2...255 (sec/min)
Power Requirement	+12V DC-in
Construction	Aluminum + SGCC
Weight	1.2 kgs (2.65 lbs)
Chassis Color	Black & white
Storage	1x mSATA
Power Supply	84W power adaptor
Mounting	Standard system bracket
Dimensions	201.6mm(W) x 122.7mm(D) x 38.5mm(H) 7.93"(W) x 4.83"(D) x 1.51"(H)
Operating Temperature	0°C ~ 45°C (32°F~113°F)
Storage Temperature	-20°C ~ 80°C (-4°F~176°F)
Relative Humidity	5~90% @ 45°C, (non-condensing)
Vibration	mSATA: 5 grms / 5~500Hz / random operation
Certification	CE, FCC class A, cULus & CCC
Operating System	Windows XP, Win7 32/64-bit, Win8 64-bit, Win8.1 64-bit Win10 64-bit Enterprise

Ordering Information

SI-83-i7	Book-Size Signage Player with IB983 Intel® Core™ i7-4700EQ (2.4GHz~3.4GHz), 2x 2GB DDR3L SO-DIMM memory, 64GB mSATA, 84W power adaptor
SI-83-i5	Book-Size Signage Player with IB983 Intel® Core™ i5-4400E (2.7GHz~3.3 GHz), 2x 2GB DDR3L SO-DIMM memory, 64GB mSATA, 84W power adaptor
SI-MK3	Mounting bracket for SI-32-N/38/62/83 series
SI-1U-AD	1U Rackmount kit

Dimensions



Backplane Systems Technology

Backplane Systems Technology Pty Ltd
TEL 02 9457 6400
sales@backplane.com.au
www.backplane.com.au