



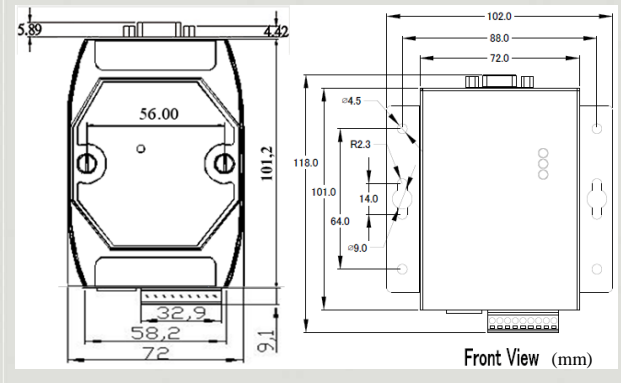
# PROFIBUS Series Products

## PROFIBUS to Ethernet Converter



I-7550E

I-7550-E-M



Dimensions

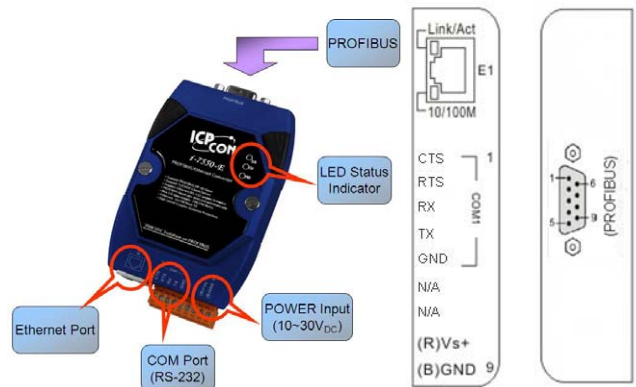
The I-7550E Converter is specially designed for the slave device of PROFIBUS DP protocol. It allows the PROFIBUS master to access any kinds of Ethernet devices supporting TCP/UDP Protocol. The I-7550E can be set as TCP/UDP server and client, it's flexible for user to match their requirement. In addition, the I-7550E module built-in web server, the user can set the module by web browser. By using this module, users can put their Ethernet devices into PROFIBUS network very easily.

### Features

- Protocol & Hierarchy: DP-V0 Slave
- Detect transmission rate (9.6 ~ 12000 kbps) automatically
- 240 bytes max input data length
- 240 bytes max output data length
- Support Ethernet TCP/UDP Protocol
- Support TCP/UDP Server/Client
- Address 0~126 set by DIP switch or EEPROM
- Support Virtual COM Port.
- Network Isolation Protection: High Speed iCoupler
- 3000 V<sub>DC</sub> isolation protection on PROFIBUS side
- 4 kV ESD Protection



### Pin Assignments



### Ethernet Protocol Support

TCP/UDP	Server/Client
	Total Maximum 8 Clients for Server mode
	Total Maximum 8 remotes for Client mode

### Web-based administration

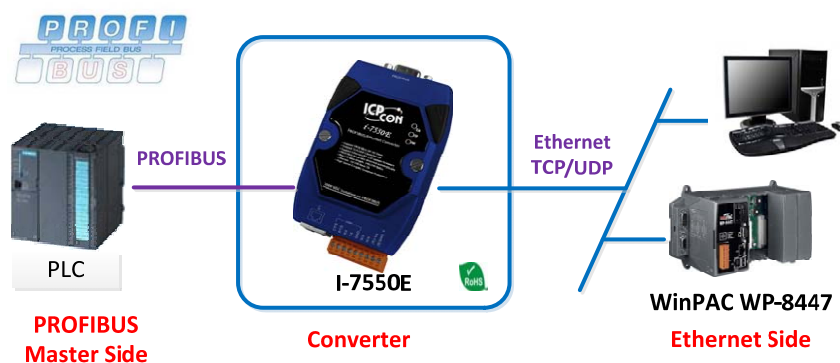
- Provide network configuration
- Provide TCP/UDP Server/Client configuration
- Show diagnostic messages and device information
- Show communication log between I-7550E and Ethernet devices



## Hardware Specifications

Hardware	
CPU	80186, 80 MHz or compatible
SRAM/Flash/EEPROM	512 KB / 512 KB / 16 KB
Watchdog	Watchdog IC CPU built-in
ESD Protection	4 kV class A
PROFIBUS Interface	
Controller	Profichip VPC3+C
Transceiver	ADI ADM2486
Connector	9-pin female D-Sub
Baud Rate (bps)	9.6 k, 19.2 k, 45.45 k, 93.75 k, 187.5 k, 500 k, 1.5 M, 3 M, 6 M, 12 M
Transmission Distance (m)	Depend on baud rate (for example, max. 1200 m at 9.6 kbps )
Isolation	3000 V <sub>DC</sub> for DC-to-DC, 2500 Vrms for bus-to-logic
Protocol	DP-V0
UART Interface	
COM	RS-232 (For firmware updated)
COM Connector	5-pin screwed terminal block (TxD, RxD, RTS, CTS, GND )
Baud Rate (bps)	115200
Data bit	8
Stop bit	1
Parity	None
Ethernet Interface	
Controller	10/100Base-TX Ethernet Controller (Auto-negotiating, Auto_MDIX)
Connector	RJ-45 with LED indicator
LED	
Round LED	PWR LED, RUN LED, ERR LED
Power	
Power supply	Unregulated +10 ~ +30 V <sub>DC</sub>
Protection	Power reverse polarity protection, Over-voltage brown-out protection
Power Consumption	2.5 W
Mechanism	
Installation	DIN-Rail
Dimensions	72mm x 33mm x 119mm (W x L x H)
Environment	
Operating Temp.	-25 ~ 75 °C
Storage Temp.	-30 ~ 85 °C
Humidity	5 ~ 95% RH, non-condensing

## Applications



## Ordering Information

<b>I-7550E CR</b>	PROFIBUS/Ethernet Converter (RoHS)
<b>I-7550E-M CR</b>	PROFIBUS/Ethernet Converter (RoHS) with Metal casing