



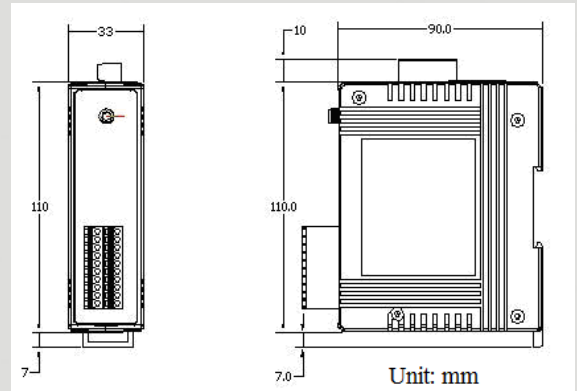
Wi-Fi Series Products



Wi-Fi Data Acquisition I/O Module (16 DI)



WF-2051



Dimensions

The WF-2051 is a 16-channel isolated digital input with 32-bit counters module and it is one of the members of the WF-2000 wireless product family. In addition, the WF-2051 has WLAN connection complies with the IEEE802.11b/g standards. With the popularity of 802.11 network infrastructure, the WF-2051 makes an easy way to incorporate wireless connectivity into monitoring and control systems. The WF-2051 also supports Modbus/TCP and UDP protocols and the network encryption configuration, which makes perfect integration to SCADA software and offer easy and safe access for users from anytime and anywhere.

Features

- Support sink / source type digital inputs
- Compatible with IEEE 802.11b/g standards
- Support infrastructure and ad hoc modes for wireless networks
- Support WEP, WPA and WPA2 wireless encryption
- Support Modbus/TCP and UDP protocols
- Support DHCP network configuration
- Built-in Watchdog
- Wide Operating Temperature Range
- 4 kV ESD Protection

Utility Features

WF-2000 I/O Utility provides a simple way to easily test and instant acquire data for all ICP DAS Wi-Fi I/O series modules without programming

- Easily and quickly configure and control
- Provide Auto-Search device function
- Provide I/O monitor screen
- Provide parameter storage interface
- Provide encryption configuration for wireless LAN

Wire Connection

Input Type	ON State LED ON	ON State LED OFF
Dry Contact	Relay ON 	Relay OFF
	Relay Close	Relay Open
TTL/CMOS Logic	Voltage < 4V Logic Level Low 	Voltage > 10V Logic Level High
	Logic GND	Logic GND
Open Collector	Open Collector ON 	Open Collector OFF
	ON	OFF

Input Type	ON State LED ON	OFF State LED OFF
Wet Contact	Relay ON 	Relay OFF
	Relay Close	Relay Open
TTL/CMOS Logic	Voltage > 10 V Logic Power Logic Level Low 	Voltage < 4 V Logic Power Logic Level High
	DI.COM DIx	DI.COM DIx
NPN Output	Open Collector ON 	Open Collector OFF
	ON	OFF
PNP Output	Open Collector ON 	Open Collector OFF
	DI.COM DIx	DI.COM DIx





Hardware Specifications

Digital Input		
Channels	16	
Input Type	Dry Contact: Source, Wet Contact: Sink / Source	
Dry Contact Level	Off Voltage Level: Open	On Voltage Level: Close to GND
Wet Contact Level	Off Voltage Level: +4V max.	On Voltage Level: +10 V ~ +50 V
Counters	Channels	8
	Max. Counts	32-bit (4294967295)
	Max. Input Frequency	8K Hz
Photo-Isolation	3750 VDC	
Wi-Fi Interface		
Antenna	5 dBi (Omni-Directional)	
Output Power	8 dBm @ 11Mbps	
Receive Sensitivity	-83 dBm @ 11Mbps	
Standard Supported	IEEE 802.11b/g	
Wireless Mode	Infrastructure & Ad-hoc	
Encryption	WEP, WPA and WPA2	
Transmission Range	50 meters (LOS)	
Power		
Input Voltage Range	10V ~ 30V	
Power Consumption	1.2W	
Mechanism		
Installation	DIN-Rail	
Dimensions	33mm x106mm x 120mm (W x L x H)	
Environment		
Operating Temperature	-25°C ~ +75°C	
Storage Temperature	-30°C ~ +80°C	
Humidity	10% ~ 90%	

Applications



Ordering Information

WF-2051 CR

Wi-Fi I/O Module with 16-channel Isolated Digital Input (RoHS)