



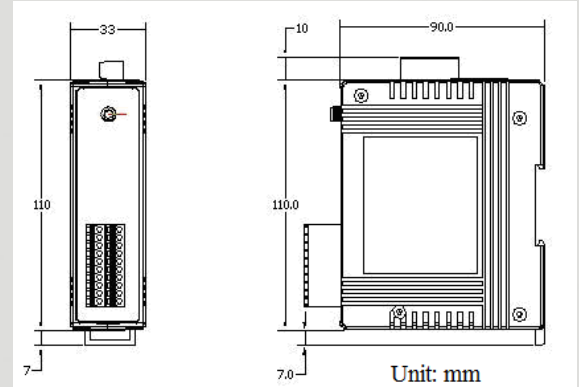
# Wi-Fi Series Products



## Wi-Fi Data Acquisition I/O Module (8DI / 8DO)



WF-2055

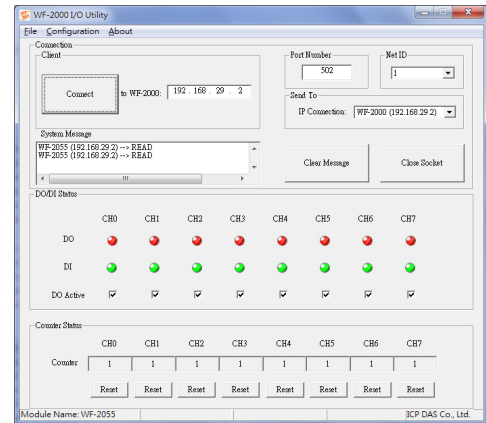


Dimensions

The WF-2055 is an 8-channel isolated digital input with 32-bit counters and 8-channel sink type isolated digital output module and it is one of the members of the WF-2000 wireless product family. In addition, the WF-2055 has WLAN connection complies with the IEEE802.11b/g standards. With the popularity of 802.11 network infrastructure, the WF-2055 makes an easy way to incorporate wireless connectivity into monitoring and control systems. The WF-2055 also supports Modbus/TCP and UDP protocols and the network encryption configuration, which makes perfect integration to SCADA software and offer easy and safe access for users from anytime and anywhere.

### Features

- Support sink type digital outputs
- Support sink / source type digital inputs
- Compatible with IEEE 802.11b/g standards
- Support infrastructure and ad hoc modes for wireless networks
- Support WEP, WPA and WPA2 wireless encryption
- Support Modbus/TCP and UDP protocols
- Support pair connection mode
- Support DO power on value & safe value Mechanism
- Built-in Watchdog



### Utility Features

WF-2000 I/O Utility provides a simple way to easily test and instant acquire data for all ICP DAS Wi-Fi I/O series modules without programming

- Easily and quickly configure and test Wi-Fi I/O modules
- Provide I/O monitor screen
- Provide parameter storage interface
- Provide encryption configuration for wireless LAN

### Wire Connection

Input	ON	OFF
Relay Contact (Dry)	Relay Close	Relay Open
Open Collector (Dry)	ON	OFF
Relay Contact (Wet)	Relay Close	Relay Open
NPN Output (Wet)	ON	OFF
Output	ON	OFF
Drive Relay		
Resistance Load		





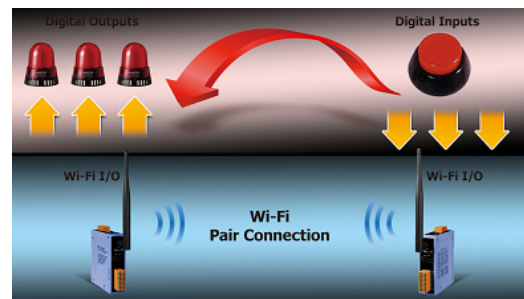
## Hardware Specifications

Digital Input		
Channels	8	
Input Type	Dry Contact: Source, Wet Contact: Sink / Source	
Dry Contact Level	Off Voltage Level: Open	On Voltage Level: Close to GND
Wet Contact Level	Off Voltage Level: +4V max.	On Voltage Level: +10 V ~ +50 V
Counters	Channels	8
	Max. Counts	32-bit (4294967295)
	Max. Input Frequency	10K Hz
Photo-Isolation	3750 VDC	
Digital Output		
Channels	8, Sink(NPN)	
Output Voltage	+3.5 ~ +50 V	
Output Current	700mA per channel	
Intra-module Isolation, Field to Logic	3750 VDC	
Overvoltage Protection	60 VDC	
Wi-Fi Interface		
Antenna	5 dBi (Omni-Directional)	
Output Power	8 dBm @ 11Mbps	
Receive Sensitivity	-83 dBm @ 11Mbps	
Standard Supported	IEEE 802.11b/g	
Wireless Mode	Infrastructure & Ad-hoc	
Encryption	WEP, WPA and WPA2	
Transmission Range	50 meters (LOS)	
Power		
Input Voltage Range	10V ~ 30V	
Power Consumption	1.9W	
Mechanism		
Installation	DIN-Rail	
Dimensions	33mm x106mm x 120mm (W x L x H)	
Environment		
Operating Temperature	-25°C ~ +75°C	
Storage Temperature	-30°C ~ +80°C	
Humidity	10% ~ 90%	

## Applications



Connection architecture



I/O Pair Connection

## Ordering Information

**WF-2055 CR**

Wi-Fi I/O Module with 8-channel Isolated Digital Input and 8-channel Sink Type Isolated Digital Output (RoHS)