



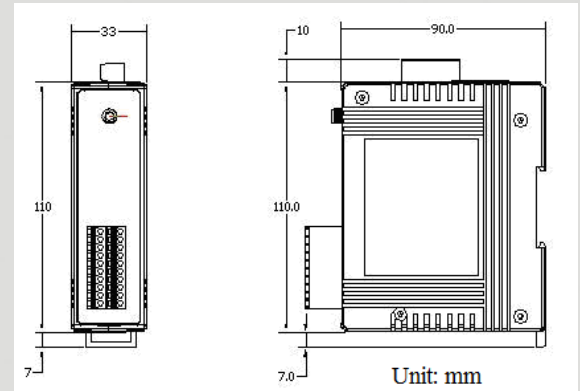
Wi-Fi Series Products



Wi-Fi Data Acquisition I/O Module (6 DI / 6 Relay)



WF-2060

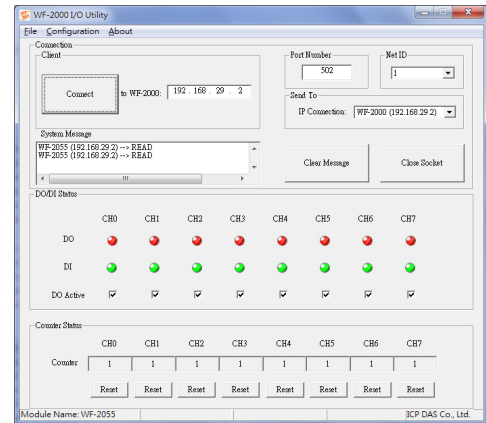


Dimensions

The WF-2060 is a 6-channel isolated digital input with 32-bit counters and 6-channel relay output module and it is one of the members of the WF-2000 wireless product family. In addition, the WF-2060 has WLAN connection complies with the IEEE802.11b/g standards. With the popularity of 802.11 network infrastructure, the WF-2060 makes an easy way to incorporate wireless connectivity into monitoring and control systems. The WF-2060 also supports Modbus/TCP and UDP protocols and the network encryption configuration, which makes perfect integration to SCADA software and offer easy and safe access for users from anytime and anywhere.

Features

- Support Relay type digital outputs
- Support sink / source type digital inputs
- Compatible with IEEE 802.11b/g standards
- Support infrastructure and ad hoc modes for wireless networks
- Support WEP, WPA and WPA2 wireless encryption
- Support Modbus/TCP and UDP protocols
- Support pair connection mode
- Support DO power on value & safe value Mechanism
- Built-in Watchdog



Utility Features

WF-2000 I/O Utility provides a simple way to easily test and instant acquire data for all ICP DAS Wi-Fi I/O series modules without programming

- Easily and quickly configure and test Wi-Fi I/O modules
- Provide I/O monitor screen
- Provide parameter storage interface
- Provide encryption configuration for wireless LAN

Wire Connection

Input	ON	OFF
Relay Contact (Dry)	Relay Close	Relay Open
Open Collector (Dry)	ON	OFF
Relay Contact (Wet)	Relay Close	Relay Open
NPN Output (Wet)	ON	OFF
Output	ON	OFF
Relay		





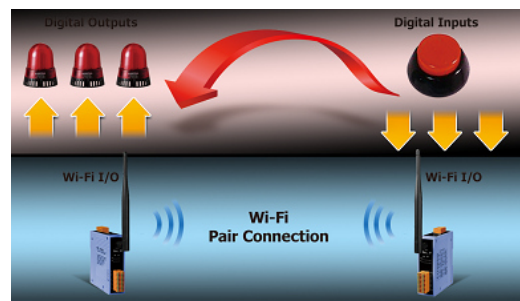
Hardware Specifications

Digital Input			
Channels		6	
Input Type		Dry Contact: Source, Wet Contact: Sink / Source	
Dry Contact Level		Off Voltage Level: Open	On Voltage Level: Close to GND
Wet Contact Level		Off Voltage Level: +4V max.	On Voltage Level: +10 V ~ +50 V
Counters	Channels	6	
	Max. Counts	32-bit (4294967295)	
	Max. Input Frequency	10K Hz	
Photo-Isolation		3750 VDC	
Digital Output			
Channels		6	
Output Type		Form A (SPST-NO)	
Contact Rating (Resistive Load)		5A 250VAC (47~63Hz)	5A 30VDC
Operate Time	Release Time	10ms max.	5ms max.
Insulation Resistance		1,000MΩ s at 500VDC	
Dielectric Strength	Between Open Contact		1000VAC (1 min.)
	Between Coil and Contacts		3000VAC (1 min.)
Endurance	Mechanical		20,000,000 times min.
	Electrical		100,000 times min.
Wi-Fi Interface			
Antenna		5 dBi (Omni-Directional)	
Output Power		8 dBm @ 11Mbps	
Receive Sensitivity		-83 dBm @ 11Mbps	
Standard Supported		IEEE 802.11b/g	
Wireless Mode		Infrastructure & Ad-hoc	
Encryption		WEP, WPA and WPA2	
Transmission Range		50 meters (LOS)	
Power			
Input Voltage Range		10V ~ 30V	
Power Consumption		1.6W	
Mechanism			
Installation		DIN-Rail	
Dimensions		33mm x 106mm x 120mm (W x L x H)	
Environment			
Operating Temperature		-25°C ~ +75°C	
Storage Temperature		-30°C ~ +80°C	
Humidity		10% ~ 90%	

Applications



Connection architecture



I/O Pair Connection

Ordering Information

WF-2060 CR

Wi-Fi I/O Module with 6-channel Isolated Digital Input and 6-channel Relay Output (RoHS)