

# SI-102-N

## Entry-Level Digital Signage Player

2nd Gen AMD Embedded G-Series SoC Quad-Core GX-424CC

Fanless Signage Player with Dual HDMI



### Specifications

System Mainboard	IB923-424
CPU Type	AMD G-Series; Quad-Core GX-424CC @ 2.4GHz
CPU Socket	FT3b BGA package
Chipset	SoC Integrated
Memory	1x DDR3 1866 MHz SO-DIMM, Max. 8GB (Non-ECC)
Graphics	AMD Radeon™ HD 8KE series graphics integrated in APU <ul style="list-style-type: none"> <li>• DirectX 11.1</li> <li>• Direct Compute 11</li> <li>• Open GL 4.0</li> <li>• OpenCL 1.1</li> <li>• UVD4.2 Hardware Video Decoder –H.264, MPEG-2, VC-1, MPEG4 (DivX), and WMV</li> <li>• VCE 2.0 –Video conferencing, wireless display. H.264, SVC</li> </ul>
LAN	1x Realtek RTL8111DP Gigabit LAN controller
Expansion Slots	1x Mini PCI-E (full-size) for Wi-Fi, Bluetooth or 4G LTE options 1x SIM card slot
I/O Interface	2x HDMI 1.4a 2x USB 3.0 ports, 1x USB 2.0 port 1x RJ45 for Gigabit LAN 1x RJ45 for RS232 serial port 2x Microjack audio connectors for Line-in / Line-out Power LED, 1x power on/off button 1x DC jack
Auto Control and Monitoring	Watchdog Timer: 256 segments, 0, 1, 2...255 (sec/min)
Power Requirement	+12V DC-in
Construction	Aluminum + SGCC
Weight	1.4 kgs (3.09 lbs)
Chassis Color	Black & white
Storage	1x mSATA
Power Supply	60W power adaptor
Mounting	Standard system bracket
Dimensions	220mm(W) x 147mm(D) x 25mm(H) 8.66"(W) x 5.79"(D) x 0.98"(H)
Operating Temperature	0°C ~ 45°C (32°F ~ 113°F)
Storage Temperature	-20°C ~ 80°C (-4°F ~ 176°F)
Relative Humidity	5~90% @ 45°C, (non-condensing)
Vibration	mSATA: 5 grms / 5~500Hz / random operation
Certification	CE, FCC class B, VCCI class A, cULus & CCC
Operating System	Windows® 7 (32/64-bit), Windows 8.1† (64-bit) Windows 10 (64-bit), Windows 10 IoT Enterprise (64-bit) Window Embedded Standard 7 (32/64-bit) Window Embedded Standard 8 (32/64-bit) Linux Closed Source (64-bit), Linux Open Source (64-bit)

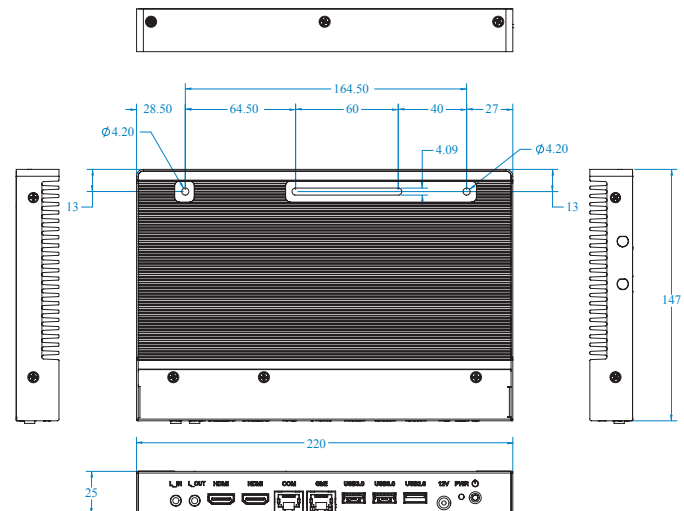
### Features

- iSMART - for EuP/ErP power saving, auto-scheduling and power resume
- 2nd Generation AMD Embedded G-Series SoC series
- Integrated 80 Core DirectX 11.1 GPU in processor
- 2x HDMI 1.4a
- 1x DDR3-1866 SO-DIMM, single channel, Max. 8GB
- 1x Mini PCI-E(full-size) for Wi-Fi, Bluetooth or 4G LTE
- Fanless, super slim and compact design

### Ordering Information

SI-102-N	Signage Player with G-Series Quad-Core @ 2.4GHz APU, 4G DDR3-1866 SO-DIMM, 64GB mSATA, 60W power adaptor
SI-MK1	Mounting bracket for SI-06/08/12/18/22/102 series
HDMI Cable Holder	SI-102-N HDMI bracket kit

### Dimensions



Backplane  
Systems  
Technology

Backplane Systems  
Technology Pty Ltd

TEL 02 9457 6400  
sales@backplane.com.au  
www.backplane.com.au