

SA-112-N

Entry-Level Signage Player

i.MX6 Dual Lite/Quad Processor-based Fanless Signage Player with 1x HDMI and 1x VGA



Features

- Supports Freescale i.MX6 Dual/Quad Processor
- eMMC NAND Flash 8GB on board
- Onboard DDR3L, 1GB 533MHz, (1066MT/s)
- 1x VGA + 1x HDMI (w/o HDCP)
- 1x RJ45 for Gigabit LAN
1x RJ45 for RS232 serial port
- 1x Mini-USB (OTG), 2x USB 2.0, 1x SD card slot
- 1x Mini PCI-E (full-size) slot for 4G LTE option
- 5V DC-in power input
- Wide-range operating temperature from -40°C to 75°C
- Ruggedized, fanless and compact design

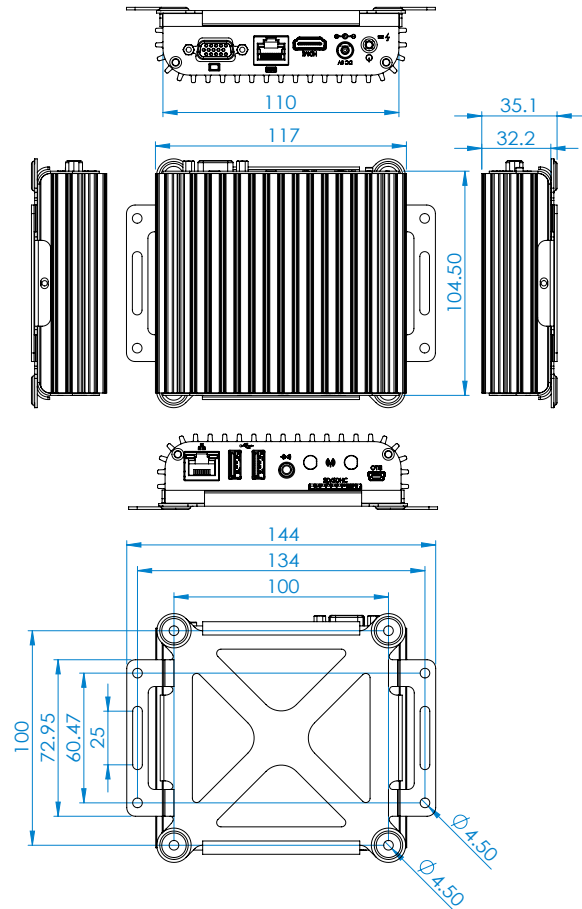
Specifications

System Mainboard	MBD112
CPU	Freescale IMX6Q Automotive 1GHz / IMX6DL Commercial 1GHz
Chipset	Integrated
Memory	Onboard DDR3L, 1GB 533MHz, (1066MT/s)
Graphics	i.MX53 + VP6 / WebM VP8, H.264 MVC
LAN	1x RJ45 (1000M)/AR8031-AL1B 1x Wi-Fi function built-in
Expansion Slots	1x Mini PCI-E (full-size) for 4G LTE option
I/O Interface	1x HDMI 1x VGA 2x USB 2.0 1x Power On/Off button 1x RJ45 for RS232 serial port 1x 3.5mm jack for Line out 1x RJ45 for Gigabit LAN 1x DC power jack
Auto Control and Monitoring	Watchdog Timer: 256 segments, 0, 1, 2...255 (sec/min)
Power Requirement	+5V DC-in
Construction	Aluminum + SGCC
Weight	0.5 kgs (1.1 lbs)
Chassis Color	Black & white
Storage	1x eMMC (Default 8GB) 1x SD/SDHC card slot (up to 32GB)
Power Supply	25W power adaptor
Mounting	Standard system bracket
Dimensions	117mm(W) x 104.5mm(D) x 32.2mm(H) 4.61"(W) x 4.11"(D) x 1.26"(H)
Operating Temperature	-40°C ~ 75°C (-40°F ~ 167°F) (w/o adaptor)
Storage Temperature	-50°C ~ 85°C (-58°F ~ 185°F)
Relative Humidity	5~90% @ 45°C, (non-condensing)
Vibration	eMMC: 5 grms / 5~500Hz / random operation
Certification	CE, FCC class B, cULus & CCC
Operating System	SA-112-NDL- Android 4.4.2: HDMI output SA-112-NQC- Android 4.4.2: VGA+HDMI

Ordering Information

SA-112-NQC	ARM-based signage player with CPU IMX6QC MCIMX6Q6AVT10AD Automotive 1GHz, eMMC NAND Flash 8GB & DDR3L 1GB on board, 25W power adaptor, (RoHS)
SA-112-NDL	ARM-based signage player with CPU IMX6DL MCIMX6U5DVM10AB Commercial 1GHz, eMMC NAND Flash 8GB & DDR3L 1GB on board, 25W power adaptor, (RoHS), (operating temperature 0°C ~ 50°C)

Dimensions



Backplane Systems
Technology Pty Ltd

TEL 02 9457 6400
sales@backplane.com.au
www.backplane.com.au

Remarks: 1. Specifications are subject to change without prior notice. 2. ODM/OEM is available.



iBASE