



Features

- On the fly processing: EtherCAT
- Powerful MCU handles efficient network traffic
- 2 x RJ-45 bus interface
- Distance between stations up to 100 m (100 BASE-TX)
- Support daisy chain connection
- EtherCAT conformance test tool verified
- Removable terminal block connector
- LED indicators for the input status
- 12-bit Analog Output: 4-ch (ECAT-2024); 8-ch (ECAT-2028)
- RoHS compliant
- ESD Protection 4 KV Contact for each channel



Introduction

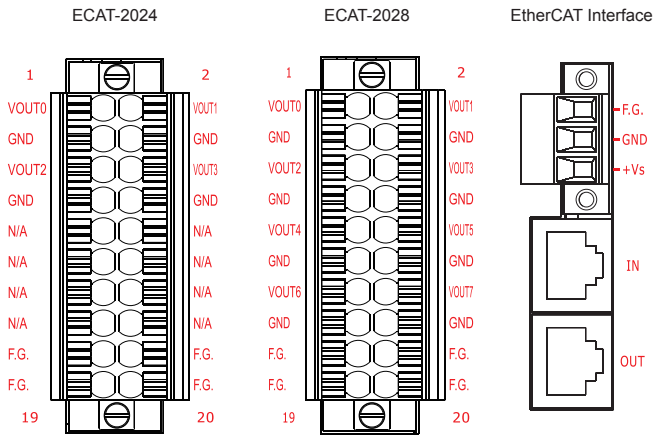
The ECAT-2024/ECAT-2028 is an industrial slave I/O module built in 4/8 12-bit Analog Output channels. It is equipped with the EtherCAT* protocol and installed by daisy chain connection that provides a more scalable system with fewer wires. Users can obtain the output status via the process data. The ECAT-2024/2028 has passed and verified by the conformance test tool, therefore eligible EtherCAT Master or configurator can manipulate it simply and implement your various applications easily.

* EtherCAT® is registered trademark and patented technology, licensed by Beckhoff Automation GmbH, Germany.

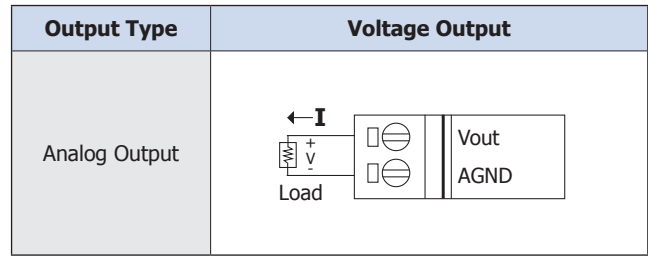
Hardware Specifications

Model	ECAT-2024	ECAT-2028
Analog Output		
Channels	4	8
Range	±5 V, ±10 V, 0~5V, 0~10V	
Resolution	12-bit	
Accuracy	±0.1% of FSR	
Zero Drift	±30 μV/°C	
Span drift	±25 ppm/°C	
Communication Interface		
Connector	2 x RJ-45	
Protocol	EtherCAT	
Distance between Stations	Max. 100 m (100 BASE-TX)	
Data Transfer Medium	Ethernet/EtherCAT Cable (Min. CAT 5), Shielded	
EMS Protection		
ESD (IEC 61000-4-2)	±4 kV Contact for Each Terminal	
EFT (IEC 61000-4-4)	Signal: 1 KV Class A; Power: 1 KV Class A	
Surge (IEC 61000-4-5)	1 KV Class A	
Power		
Input Voltage Range	10 ~ 30 VDC	
Power Consumption	4 W Max.	
Mechanical		
Dimensions (H x W x D)	110 mm x 90 mm x 33 mm	
Installation	DIN-Rail Mounting	
Case Material	UL 94V-0 Housing	
Environment		
Operating Temperature	-25 ~ +75°C	
Storage Temperature	-30 ~ +80°C	
Relative Humidity	10 ~ 90% RH, Non-condensing	

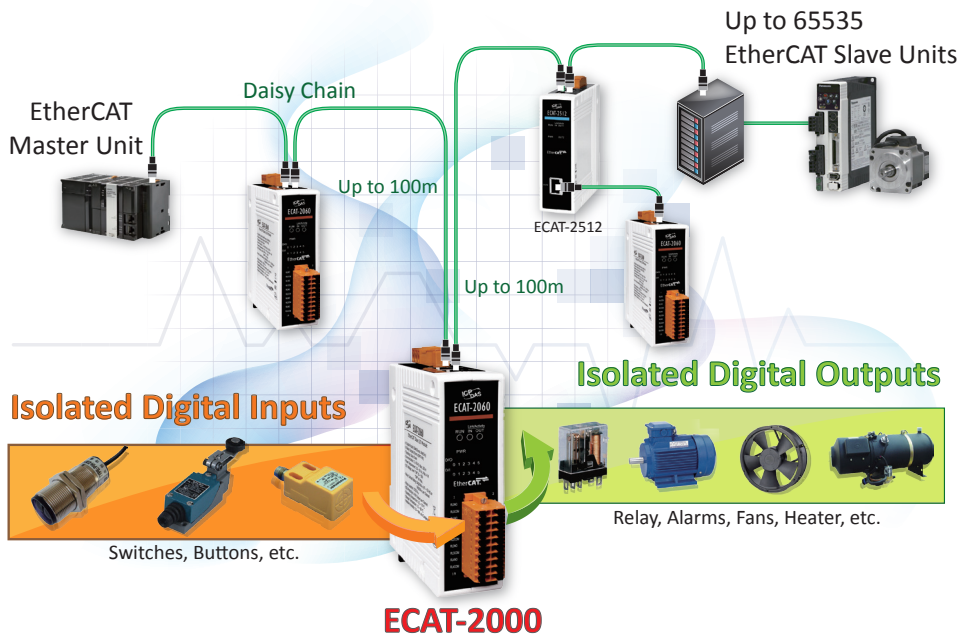
Pin Assignments



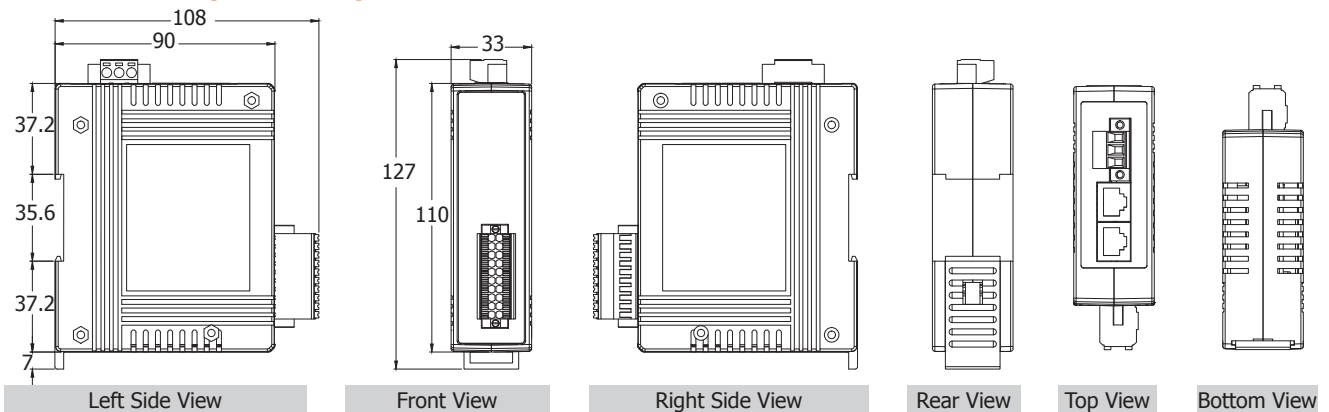
Wire Connections



Applications



Dimensions (Units: mm)



Ordering Information

ECAT-2024 CR	EtherCAT Slave I/O Module with Isolated 4-ch Analog Output (RoHS)
ECAT-2028 CR	EtherCAT Slave I/O Module with Isolated 8-ch Analog Output (RoHS)