



Features

- Intel Celeron Processor N2930 1.83GHz
- Fanless and extendable I/O design
- 1 x 204-pin SO-DIMM slot up to 8GB DDR3L 1333MHz
- Wide range DC 9~36V power input
- 1 x 2.5" SATA2 HDD space

Specifications

System	
Processor	Intel Celeron Processor N2930 1.83GHz
System Chipset	SoC
System Memory	1 x 204-pin SO-DIMM slot up to 8GB DDR3L 1333MHz
Outside IO Port	
USB	2 x USB 3.0 type A, 4 x USB 2.0 type A
Serial/Parallel	1 x RS-232/422/485 DB-9, COM1, default RS-232 1 x RS-232 DB-9, COM2
Audio	1 x Line-out
LAN	2 x GbE LAN RJ-45
Display Interface	1 x VGA, 1 x HDMI
Power	1 x 3-pin DC power input terminal, 1 x power button with light
Options (Either One)	1 x RS-232 DB-9, COM3 1 x GPIO 8-bit digital I/O(4 x DI, 4 x DO)

Storage	
Storage	1 x 2.5" SATA2 HDD space (easy accessible)

Expansion	
Expansion Slot	1 x Mini-PCIe slot full size 1 x Mini-PCIe slot full size (shared with mSATA)

Power	
Power Input	DC 9~36V
Power Consumption	MAX: 17W

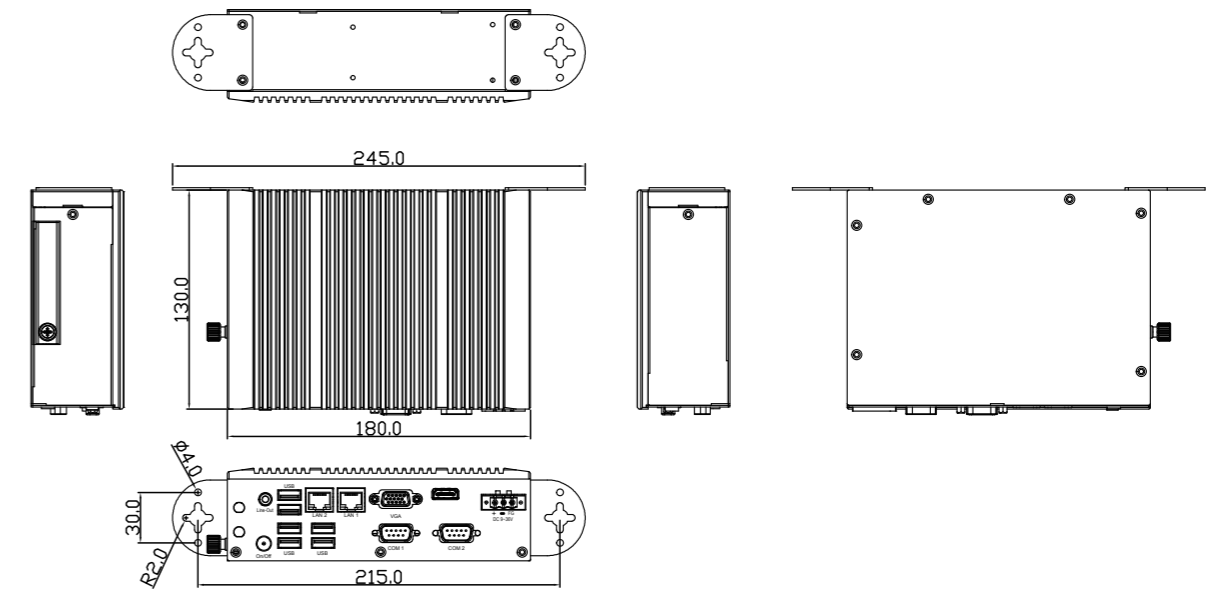
Mechanical	
Construction	Plating titanium gray aluminum heatsink and black steel chassis
IP Rating	IP30
Mounting	Wall Mount, Din Rail for option
Dimension	180 x 130 x 55 mm
Net weight(kgs)	1.3 Kg

Environmental	
Operating Temperature	0~50 °C
Storage Temperature	-30~70 °C
Storage Humidity	10~90% @40 °C non-condensing
Certificate	CE / FCC Class A

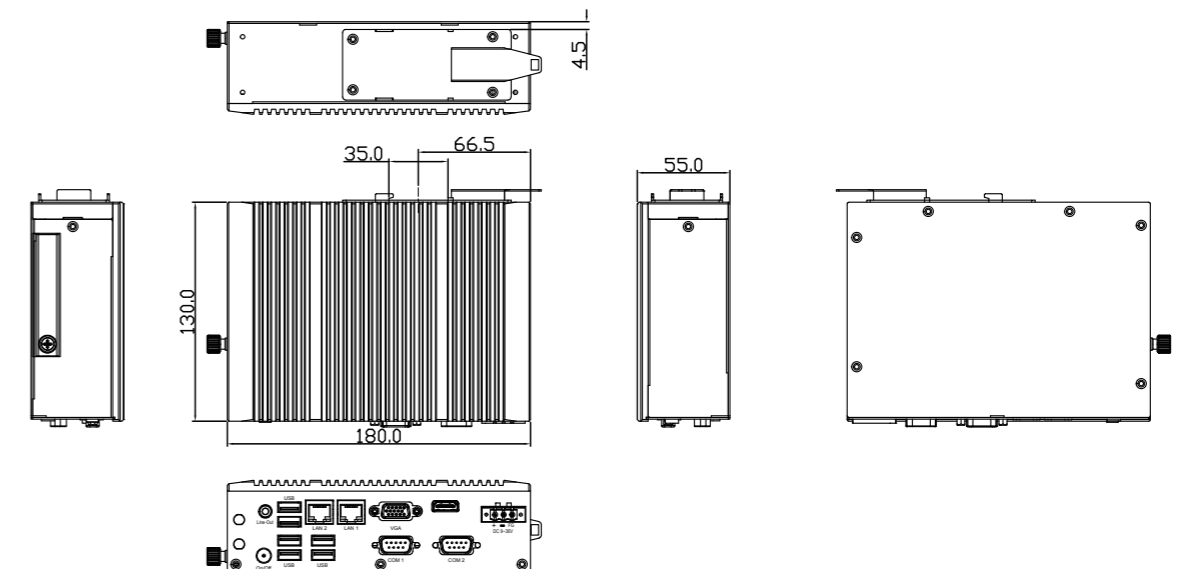
Operating System Support	
Windows 7 Pro for Embedded, Windows Embedded Standard 7, Windows Embedded 8.1 Industry Pro, Windows Embedded 8 Standard, Windows 10 IoT ENT 2016 LTSB Entry	

Dimensions

ACS-2311_WALL MOUNT



ACS-2311_DIN RAIL



Ordering information

ACS-2311-01	Fanless Box PC, Intel Celeron N2930 CPU, 4GB DDR3L memory, 32GB MLC SSD, 1 x mini-PCIe slot Full size, 1 x mini-PCIe slot Full size (shared with mSATA), DC 9~36V power input with adaptor, Steel Chassis with Aluminum Heatsink
-------------	--



Backplane Systems
Technology Pty Ltd
TEL 02 9457 6400
sales@backplane.com.au
www.backplane.com.au