

### Features

- 7" TFT LCD Backlight with Resolution of 800 x 480
- Plastic Housing
- Resistive Touch Screen / Projected Capacitive Touch
- Wide-ranging 9~36V DC Power Input



### Specifications

#### I/O Port

VGA	1
DVI	1
RCA	Option
Touch	1 x USB for Touch Control 1 x RS-232 for Touch Control(option)
OSD Control Membrane	OSD keypad on the rear side
Power	1 x 3-pin TB for DC 9~36V Input

#### LCD

Display Type	7" color TFT LCD
Max. Resolution	800 x 480
Max. Color	262K
Luminance (cd/m <sup>2</sup> )	350
View Angle	140 (H) / 110 (V)
Backlight Lifetime	40,000 hrs
Contrast Ratio	400 : 1

#### Power

Power Input	9~36V DC
Power consumption	MAX: 5.4W (1070AT) MAX: 3.9W (1070AP)

#### Touch Screen

Type	Resistive touch window Projected capacitive touch screen (for P model)
Interface	Resistive touch window: USB default/RS-232 option Projected capacitive touch screen: USB
Light Transmission	Resistive touch window: over 80% Projected capacitive touch screen: over 90%

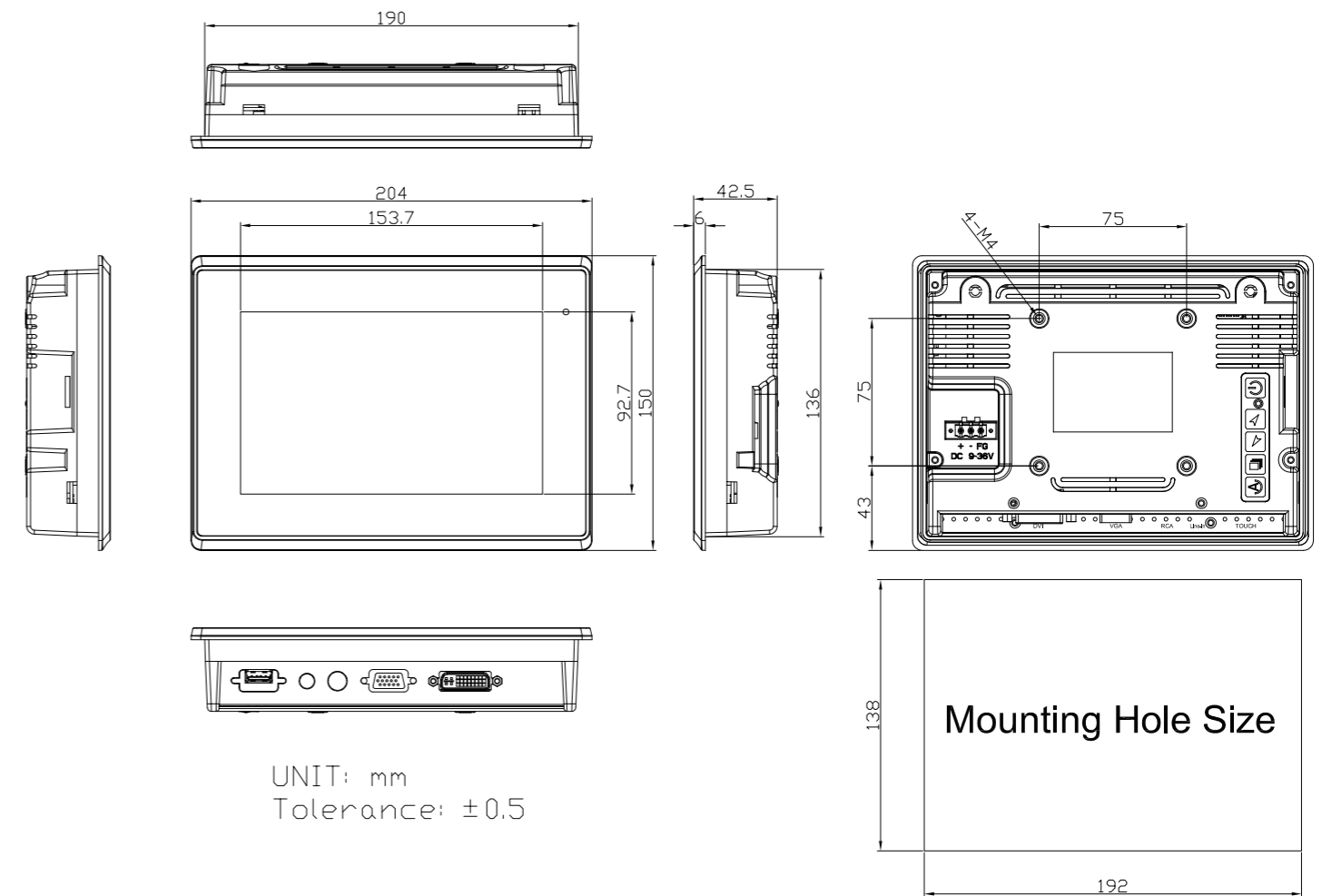
#### Mechanical

Front Panel	Plastic Housing/Panel Mount
Rear Panel	VESA Mount 75 x 75
Chassis Color	Pantone Cool Gray 11C
IP Rating	Front Panel IP65
Dimensions	204 x 150 x 42.5 mm
Net Weight	0.8 Kg

#### Environmental

Operating Temperature	0~50 °C
Storage Temperature	-20~60 °C
Storage Humidity	10~90% @40 °C non-condensing
Certificate	CE/FCC Class A

### Dimension



Backplane  
Systems  
Technology

Backplane Systems  
Technology Pty Ltd

TEL 02 9457 6400  
sales@backplane.com.au  
www.backplane.com.au