



Features

- Rugged engineering plastics enclosure and fanless design
- High brightness LED backlight LCD
- Intel® Atom™ Processor E3845
- 4G DDR3L memory on board
- Wide range 6~36V DC power input
- Total 6 sides IP66
- Resistive touch screen, projected capacitive touch screen is for option (without OSD keypad function)
- Front OSD keypad control
 - Power on/off
 - Brightness up (up to 100%)
 - Brightness down (dim to 0%)
 - LED indicator: power on/off



Specifications

System

CPU	Intel® Atom™ Processor E3845(2M Cache, 1.91GHz)
Memory	Onboard 4GB DDR3L Memory
Function Keypad	5 keys Brightness up/Brightness down Control 0~100% Volume up/Volume down via Audio Power on/off LED Indicator: Power on/off
Speaker	1 x 2W IP65 Speaker

I/O Port

Standard I/O	1 x M12 for 2 x USB 2.0 1 x M12 for LAN 1 x M12 for RS-232/422/485, Default RS-232 1 x DC power input (6~36V) by M12 connector 1 x SMA connector for option GPS antenna
--------------	---

Expansion

Expansion Slot	1 x Mini-PCIe full size for option 3G/LTE/GPS 1 x Mini-PCIe half size slot for option WIFI/BT 1 x SIM slot on board
----------------	---

Storage Space

Storage	1 x Micro SD on board 1 x mSATA MO-300 slot
---------	--

LCD

Display Type	8" color TFT LCD
Max. Resolution	800 x 600
Max. Color	16.2M
Contrast Ratio	500:1
Luminance (cd/m ²)	600 (1000nits for option)
View Angle	140(H) / 125(V)
Backlight Lifetime	50,000 hrs

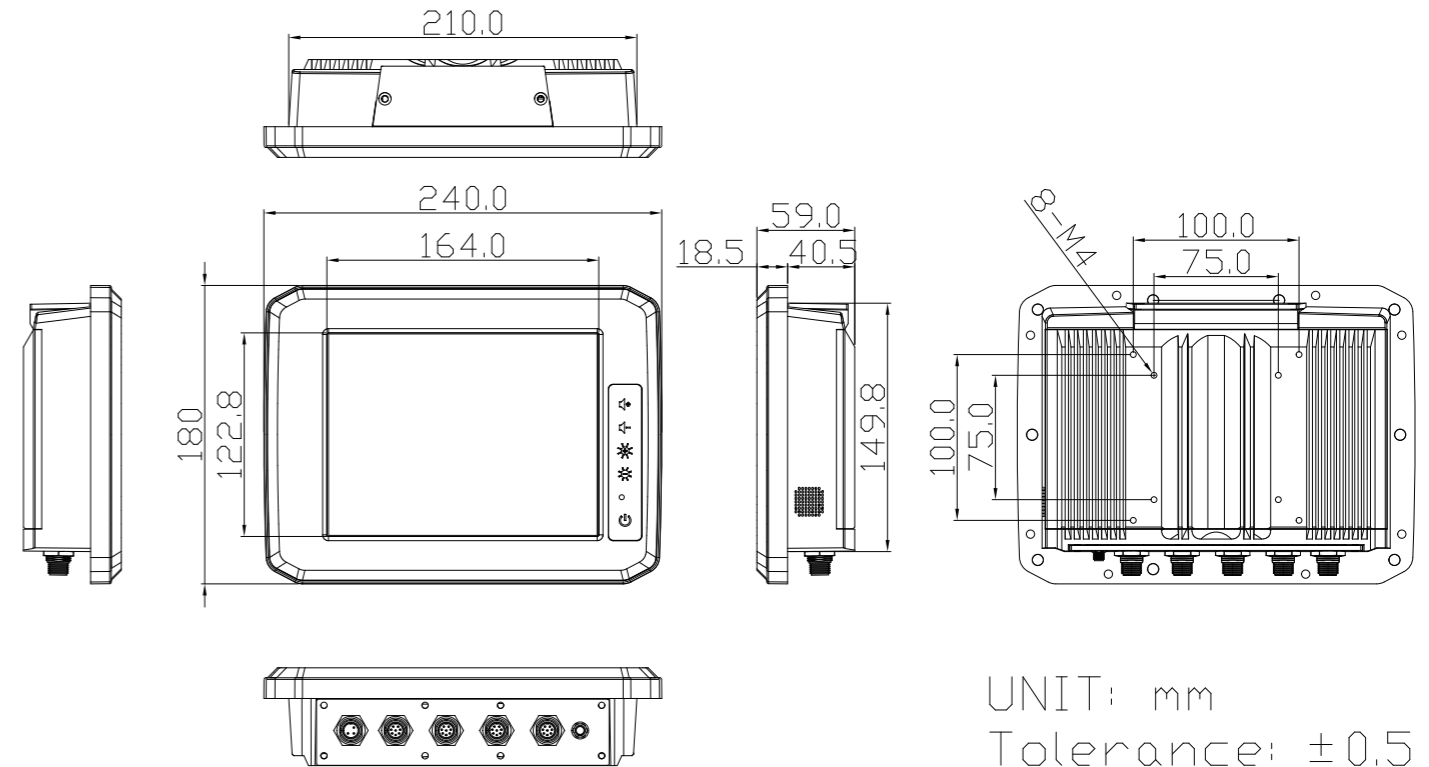
Touch Screen – Resistive Touch Window Type

Interface	USB
Light transmission (%)	Over 80%

Touch Screen – PCT (Option, without OSD Keypad function)

Interface	USB
Light transmission (%)	Over 90%

Dimensions



UNIT: mm
Tolerance: ±0.5

Power

Power input	6~36V DC (Default)
Optional Power	6~36V DC + Ignition / VCC Power
Power Consumption	MAX: 19.8W

Mechanical

Construction	Engineer Plastics
Mounting	Support VESA Mount 75 x 75/100 x 100/ Adjustable Stand (option)
IP Rating	Total IP66
Dimension	240 x 180 x 59 mm
Net Weight	1.6 Kg

Environmental

Operating temperature(°C)	0~50°C WT1: -20°C~60°C for option
Storage temperature(°C)	-30~80°C
Storage humidity	10 to 90% @ 40°C, non- condensing
Certificate	CE / FCC Class A / MIL810F / IEC60068-2-27 for vibration / Shock

Operating System Support

Windows 7 Professional for Embedded Systems
 Windows 7 Ultimate for Embedded Systems
 Windows Embedded 8.1 Pro
 Windows Embedded 8.1 Industry Pro
 Windows 10 IOT 2016

Ordering Information

APC-3082T-02	8" SVGA total IP66 design plastic panel PC, Intel Atom Processor E3845, DDR3L 4G on board, 8G SLC mSATA, with resistive touch screen, 6~36V DC power input with adapter, engineer plastic enclosure
--------------	---