



Features

- 7" Industrial Compact Size Panel PC
- Flat front panel touch screen
- Fanless design
- Intel Celeron N2930(1.83GHz) CPU built-in
- Onboard 4GB DDR3L 1333 MHz/8GB(option)
- Wide range DC 9~36V power input
- IP66 compliant front panel
- Optional projected capacitive touch screen support 7H anti-scratch surface
- High brightness 1,000nits LCD for ARCHMI-807(P)H
- Optical bonding for option



Specifications

| System | |
|----------------|--|
| CPU | Onboard Intel Celeron N2930(1.83GHz) Processor |
| System Chipset | SoC |
| Memory | Onboard 4GB DDR 3L 1333 MHz/8GB(option) |

| IO Port | |
|-----------------|--|
| USB | 2 x USB 3.0 type A |
| Serial/Parallel | 1 x RS-232 DB-9, COM2 1 x RS-232/422/485 DB-9, COM1, default RS-232 |
| Audio | 1 x Audio Line Out |
| LAN | 2 x GbE LAN RJ-45 with Intel 82574L controller |
| Power | 1 x 3-pin DC power input terminal 1 x 2-pin connector for power on/off button |

| Storage Space | |
|----------------|---|
| HDD | 1 x SATA MO-297 SSD bay (Easy Accessible) |
| movable device | 1 x SD card slot, up to 32GB |

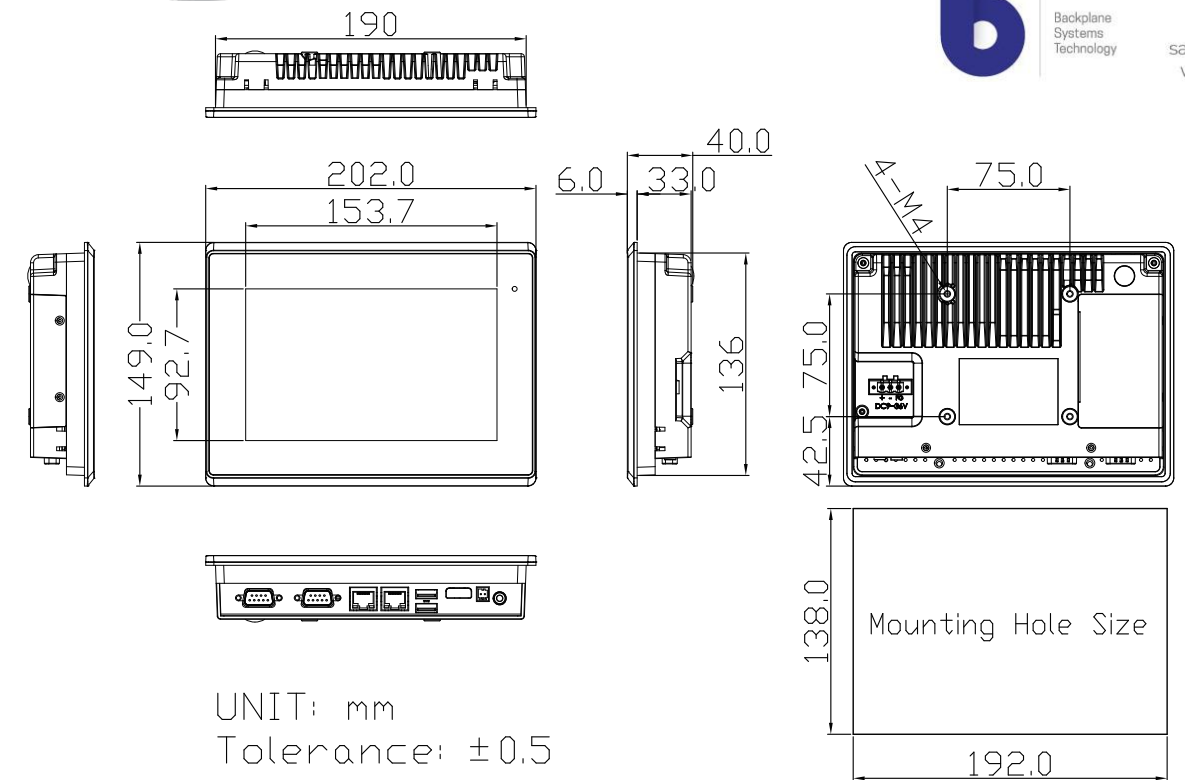
| Expansion | |
|----------------|---------------------------------------|
| Expansion Slot | 1 x Internal Mini-PCIe slot full size |

| Display | ARCHMI-807(P) | ARCHMI-807(P)H |
|--------------------------------|-----------------|-----------------|
| Display Type | 7" TFT-LCD | 7" TFT-LCD |
| Max. Resolution | 800 x 480 | 800 x 480 |
| Max. Color | 262K | 262K |
| Luminance (cd/m ²) | 350 | 1000 |
| Viewing Angle | 140(H) / 110(V) | 140(H) / 130(V) |
| Contrast Ratio | 400 : 1 | 400:1 |
| Backlight Lifetime | 40,000 Hrs | 50,000 Hrs |

| Touch Screen | |
|-----------------------|--|
| Type | Resistive Touch Window Projected Capacitive Touch (For P Model) |
| Interface | USB |
| Light Transmission(%) | Resistive Touch Window: over 80% Projected Capacitive Touch: over 90% |

| Power | |
|-------------------|--|
| Power Input | DC 9~36V |
| Power Consumption | ARCHMI-807: MAX:14.1W ARCHMI-807P: MAX: 13.7W ARCHMI-807H: MAX:11W ARCHMI-807PH: MAX: TBD |

Dimensions



| Mechanical | |
|--------------|---|
| Color | RAL 9007 |
| Construction | Aluminum Die-casting Front Bezel and Chassis |
| Mounting | Panel Mounting, VESA 75 x 75 |
| IP Rating | IP66 compliant front bezel |
| Dimensions | 202 x 149 x 40 mm |
| Net Weight | ARCHMI-807(P): 1.2 Kg ARCHMI-807(P)H: 1.1 Kg |

| Environmental | |
|-----------------------|--|
| Operating Temperature | ARCHMI-807(P): 0~50°C, -20~60°C (option) ARCHMI-807(P)H: 0~50°C |
| Storage Temperature | -20~60°C |
| Storage Humidity | 10 to 90%@ 40°C, non-condensing |
| Certificate | CE / FCC CLASS A / UL |

| Operating System Support | |
|--|--|
| Windows Embedded Compact 7, Windows Embedded Standard 7, Windows 7 Pro(FES), Windows 7 Ultimate(FES), Windows Embedded 8 Standard, Windows Embedded 8.1 Industry Pro, Windows 10 IoT Enterprise 2015LTSP | |

| Ordering Information | |
|----------------------|---|
| ARCHMI-807-01 | 7" WVGA Fanless HMI barebone with Intel Celeron N2930 1.83GHz CPU, 2GB DDR3L RAM, Resistive touch screen, DC 9~36V input with adapter, Aluminum chassis |
| ARCHMI-807P-01 | 7" WVGA Fanless HMI barebone with Intel Celeron N2930 1.83GHz CPU, 2GB DDR3L RAM, Projected capacitive touch screen, DC 9~36V input with adapter, Aluminum chassis |
| ARCHMI-807H-01 | 7" WVGA Fanless HMI barebone with Intel Celeron N2930 1.83GHz CPU, 4GB DDR3L RAM, Resistive touch screen, DC 9~36V input with adapter, Aluminum chassis, High brightness 1,000nits LCD |
| ARCHMI-807PH-01 | 7" WVGA Fanless HMI barebone with Intel Celeron N2930 1.83GHz CPU, 4GB DDR3L RAM, Projected capacitive touch screen, DC 9~36V input with adapter, Aluminum chassis, High brightness 1,000nits LCD |



Backplane Systems
Technology Pty Ltd
TEL 02 9457 6400
sales@backplane.com.au
www.backplane.com.au