



## Features

- 8" Industrial Compact Size Panel PC
- Flat front panel touch screen
- Fanless design
- Intel Celeron N2930(1.83GHz) CPU built-in
- Onboard 4GB DDR3L 1333 MHz/8GB(option)
- Wide range DC 9~36V power input
- IP66 compliant front panel
- Optional projected capacitive touch screen support 7H anti-scratch surface
- High brightness 1,000nits LCD for ARCHMI-808(P)H
- Optical bonding for option



## Specifications

| System         |  |
|----------------|--|
| CPU            | Onboard Intel Celeron N2930(1.83GHz) Processor |
| System Chipset | SoC  |
| Memory         | Onboard 4GB DDR 3L 1333 MHz/8GB(option)        |

| IO Port         |  |
|-----------------|--|
| USB             | 2 x USB 3.0 type A   |
| Serial/Parallel | 1 x RS-232 DB-9, COM2<br>1 x RS-232/422/485 DB-9, COM1, default RS-232           |
| Audio           | 1 x Audio Line Out   |
| LAN             | 2 x GbE LAN RJ-45 with Intel 82574L controller                                   |
| Power           | 1 x 3-pin DC power input terminal<br>1 x 2-pin connector for power on/off button |

| Storage Space  |   |
|----------------|---|
| HDD            | 1 x SATA MO-297 SSD bay (Easy Accessible) |
| movable device | 1 x SD card slot, up to 32GB              |

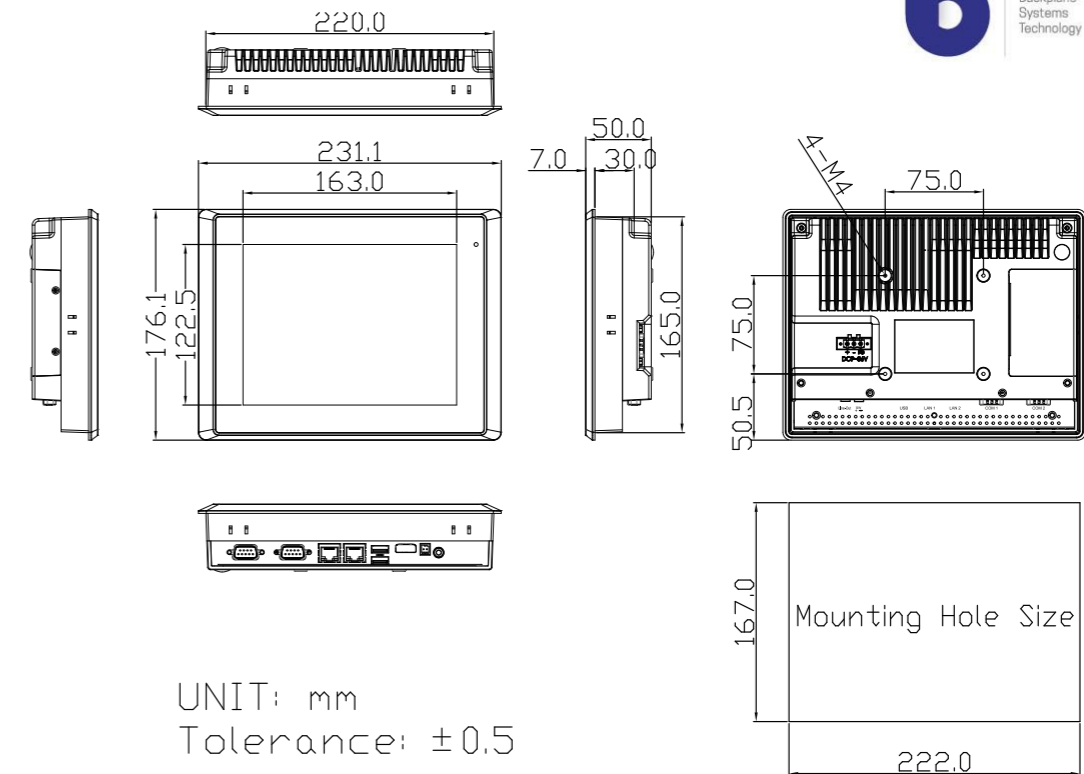
| Expansion      |                                       |
|----------------|---------------------------------------|
| Expansion Slot | 1 x Internal Mini-PCIe slot full size |

| Display                        | ARCHMI-808(P)   | ARCHMI-808(P)H  |
|--------------------------------|-----------------|-----------------|
| Display Type                   | 8" TFT-LCD      | 8" TFT-LCD      |
| Max. Resolution                | 800 x 600       | 800 x 600       |
| Max. Color                     | 16.2M           | 16.2M           |
| Luminance (cd/m <sup>2</sup> ) | 350             | 1000            |
| Viewing Angle                  | 140(H) / 125(V) | 140(H) / 125(V) |
| Contrast Ratio                 | 500 : 1         | 500:1           |
| Backlight Lifetime             | 40,000 Hrs      | 40,000 Hrs      |

| Touch Screen          |  |
|-----------------------|--|
| Type                  | Resistive Touch Window<br>Projected Capacitive Touch (For P Model)       |
| Interface             | USB  |
| Light Transmission(%) | Resistive Touch Window: over 80%<br>Projected Capacitive Touch: over 90% |

| Power             |  |
|-------------------|--|
| Power Input       | DC 9~36V   |
| Power Consumption | ARCHMI-808: MAX:10.8W<br>ARCHMI-808P: MAX: 13.4W<br>ARCHMI-808H: MAX:14.2W<br>ARCHMI-808PH: MAX: 16.1W |

## Dimensions



| Mechanical   |   |
|--------------|---|
| Color        | RAL 9007  |
| Construction | Aluminum Die-casting Front Bezel and Chassis    |
| Mounting     | Panel Mounting, VESA 75 x 75                    |
| IP Rating    | IP66 compliant front bezel                      |
| Dimensions   | 231.1 x 176.1 x 50 mm                           |
| Net Weight   | ARCHMI-808(P): 1.9 Kg<br>ARCHMI-808(P)H: 1.9 Kg |

| Environmental         |  |
|-----------------------|--|
| Operating Temperature | ARCHMI-808(P): 0~50°C, -20~60°C (option)<br>ARCHMI-808(P)H: 0~50°C |
| Storage Temperature   | -20~60°C   |
| Storage Humidity      | 10 to 90%@ 40°C, non-condensing                                    |
| Certificate           | CE / FCC CLASS A/ UL   |

| Operating System Support   |  |
|--|--|
| Windows Embedded Compact 7, Windows Embedded Standard 7, Windows 7 Pro(FES), Windows 7 Ultimate(FES), Windows Embedded 8 Standard, Windows Embedded 8.1 Industry Pro, Windows 10 IoT Enterprise 2015LTSP |  |

| Ordering Information |   |
|----------------------|---|
| ARCHMI-808-01        | 8" SVGA Fanless HMI barebone with Intel Celeron N2930 1.83GHz CPU, 2GB DDR3L RAM, Resistive touch screen, DC 9~36V input with adapter, Aluminum chassis   |
| ARCHMI-808P-01       | 8" SVGA Fanless HMI barebone with Intel Celeron N2930 1.83GHz CPU, 2GB DDR3L RAM, Projected capacitive touch screen, DC 9~36V input with adapter, Aluminum chassis                                |
| ARCHMI-808H-01       | 8" SVGA Fanless HMI barebone with Intel Celeron N2930 1.83GHz CPU, 4GB DDR3L RAM, Resistive touch screen, DC 9~36V input with adapter, Aluminum chassis, High brightness 1,000nits LCD            |
| ARCHMI-808PH-01      | 8" SVGA Fanless HMI barebone with Intel Celeron N2930 1.83GHz CPU, 4GB DDR3L RAM, Projected capacitive touch screen, DC 9~36V input with adapter, Aluminum chassis, High brightness 1,000nits LCD |

