



Features

- ARM Based HMI
- Fanless design
- Flat front panel touch screen
- TI- AM3354, ARM® Cortex™ A8 processor
- Onboard 512MB DDR3 SDRAM
- Onboard 512MB up to 1GB NAND Flash
- DC 9~36V wide-ranging power input
- LED backlight LCD
- Resistive touch window/Projected capacitive touch

Specifications

System

CPU	Ti-AM3354, ARM Cortex A8(1x Core,1.0GHz)
System Chipset	NA
System Memory	Onboard 512MB DDR3 SDRAM

External IO Port

USB	2 x USB 2.0 type A
Serial/Parallel	1 x RS-232/422/485 DB9 , default RS-232
Audio	1 x Line-out
LAN	1 x GbE LAN RJ-45 (POE for option)
Power Connector	1 x 3-pin terminal block connector 1 x 2-pin Power switch connector
Option	TB-508CAN1(Linux only) TB-508C1

Storage Space

HDD	Onboard 512MB NAND Flash (1GB for option)
Movable device	1 x micro SD slot

Expansion

Onboard expansion bus	1 x mini-PCIe slot(full size)
-----------------------	-------------------------------

Display

Display Type	7" TFT-LCD
Max. Resolution	800 x 480
Max. Color	262K
Luminance (cd/m²)	350
Viewing Angle (H°/V°)	140 (H) / 110 (V)
Contrast Ratio	400: 1
Backlight Lifetime	40,000 hrs

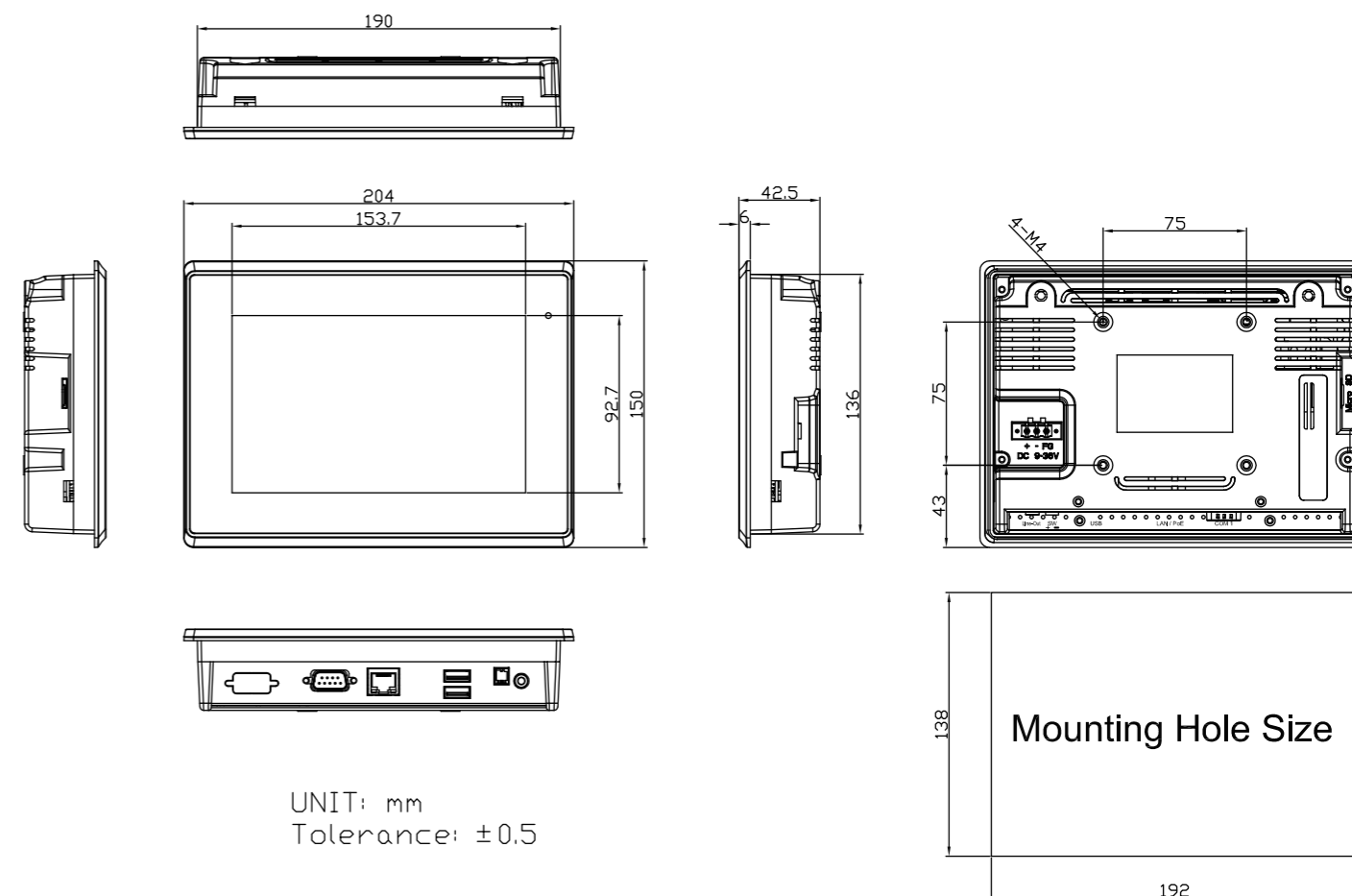
Touch screen- Resistive Touch

Interface	ADC (Analog-to-Digital Converter)
Light Transmission(%)	Over 80%

Touch screen- Projected Capacitive Touch

Interface	USB
Light Transmission(%)	Over 90%

Dimensions



Power

Power Input	DC 9~36V
Power Consumption	ARMPAC-507P: 7.5W

Mechanical

Construction	Plastic front bezel and Chassis
IP rating	IP65 compliant front bezel
Mounting	Panel Mount , VESA mount 75x75
Dimension(mm)	204 x 150 x 43
Net weight(Kg)	0.9

Environmental

Operating Temperature	0~50°C
Storage Temperature	-20~60°C
Storage Humidity	10 to 90% @ 40°C , non-condensing
Certificate	CE/FCC Class A/UL

Operating System Support

Windows Embedded Compact 7, Linux 3.2 / 4.4.12

