

BYTEM Series   



I/O View



BYTEM-W071-PC



BYTEM-W072-PC



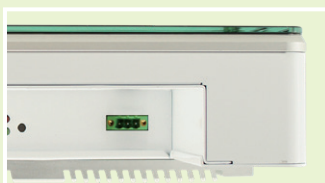
BYTEM-101-PC / BYTEM-121-PC

Features

- Supports Intel® Atom™ Processor
- Very low power consumption
- Fanless design



- 9V~30V DC wide-range power input
(for BYTEM-101-PC / BYTEM-121-PC)



- Flat panel design with projected capacitive touch
- IP65 front-panel waterproof protection



- Easily accessible 2.5" HDD storage



- Compact size



Vertical Applications Panel PC
 INOSP: Stainless Steel Panel PC
 ASTUT: All-in-one Panel PC with Riser Card Expansion
 BYTEM: Compact Panel PC
 IPCC: Heavy-duty Industrial Panel PC
 OFP FRAME PC
 BYARM/MRS: ARM-Based Panel PC

BYTEM-W071-PC / BYTEM-W072-PC / BYTEM-101-PC / BYTEM-121-PC

Specifications

Model No.		BYTEM-W071-PC	BYTEM-W072-PC	BYTEM-101-PC	BYTEM-121-PC
Display & Touch Screen	Display Size	7" TFT-LCD	7" TFT-LCD	10.1" TFT-LCD	12.1" TFT-LCD
	Max. Resolution	1024 x 600	1024 x 600	1280 x 800	1024 x 768
	Luminance (cd/m ²)	500	500	350	350
	Contrast	800:1	800:1	800:1	800:1
	Max. Color	16.7M	16.7M	262K	16.7M
	View Angle (H°/V°)	150/150	150/150	170/170	160/160
	Backlight Lifetime(hrs)	50000	50000	12000	30000
	Touch Type	Projected capacitive	Projected capacitive	Projected capacitive	Projected capacitive
	Touch Interface	USB	USB	USB	USB
	Light Transmission (%)	85	85	85	85
	Point of touch	2	2	2	2
I/O Interface	USB 3.0	1	1	1	1
	USB 2.0	1	1	1	1
	RS-232/422/485 Selectable in BIOS	1	1	1	1
	RS-232	1	1	0	0
	LAN	2x GbE	1x RJ45 with GbE LAN	2x GbE	2x GbE
	Additional Graphics	DP	DP	DP	DP
	Audio	None	None	None	None
	Digital I/O	None	None	None	None
	Power Connector	Power jack	Power jack	3-pin terminal block	3-pin terminal block
	Power Button	Reset button	1 x Power rocker switch	Reset button	Reset button
	Mechanical	Dimensions (mm)	211.5 x 143.5 x 52	221.5 x 143.5 x 45.8	285 x 204 x 59.6
Net Weight (kgs)		1.5	1.5	3.3	4.3
System	Processor	Intel® Atom™ Processor E3815 (Single-Core @ 1.46GHz)	Intel® Atom™ Processor E3825 (Dual Cores @ 1.33 GHz)	Intel® Atom™ Processor E3845 (Quad-Core @ 1.91GHz)	Intel® Atom™ Processor E3845 (Quad-Core @ 1.91GHz)
	Memory	2x DDR3L SO-DIMM, up to 4GB, default DDR3L 2GB (2GBx1)	1x DDR3L SO-DIMM, up to 4GB, default DDR3L 2GB (Non-ECC)	2x DDR3L SO-DIMM, up to 8GB, default DDR3L 4GB (4GBx1)	2x DDR3L SO-DIMM, up to 8GB, default DDR3L 4GB (4GBx1)
	Thermal Design	Fanless	Fanless	Fanless	Fanless
	Membrane Control	None	None	None	None
	Built-in Speaker/MIC	None	None	None	None
Expansion	Internal Expansion Bus	1x mPCI-E(x1) w/ USB signal [half-size] 1x mSATA/mPCI-E(x1) w/ USB signal and mSATA support [full-size]	1x miniPCI-E [half-size]	1x mPCI-E(x1) w/ USB signal [half-size] 1x mSATA/mPCI-E(x1) w/ USB signal and mSATA support [full-size]	1x mPCI-E(x1) w/ USB signal [half-size] 1x mSATA/mPCI-E(x1) w/ USB signal and mSATA support [full-size]
	Expansion Slot	None	None	None	None
	Wireless	Optional Wi-Fi/BT	Optional Wi-Fi/BT	Optional Wi-Fi/BT	Optional Wi-Fi/BT
Storage Space	HDD	1x 2.5" SATA	mSATA, default 64GB mSATA	1x 2.5" SATA	1x 2.5" SATA
	Removable	None	None	None	None
Power	Power Input Range	12V DC	12V DC input	9~30V DC	9~30V DC
Construction	Chassis Material	Aluminum front bezel and white steel back cover with aluminum heat-sink	Aluminum front bezel	Aluminum front bezel and white steel back cover with aluminum heat-sink	Aluminum front bezel and white steel back cover with aluminum heat-sink
	Color (Front/Back)	Black / white	Black / white	Black / white	Black / white
	IP Rating	IP65 front bezel	IP65 front bezel	IP65 front bezel	IP65 front bezel
	Mounting	Panel mount and VESA 50x50, 75x75 mm	Panel mount and VESA 75x75 mm	VESA 75x75 mm	VESA 75x75 mm
Environmental	Operating Temperature	-10°C ~ 50°C	-10°C ~ 50°C	0°C ~ 40°C (with HDD/CFast) 0°C ~ 50°C (with SSD)	0°C~ 40°C (with HDD/CFast) 0°C~ 50°C (with SSD)
	Storage Temperature	-30°C~70°C	-30°C~70°C	-20°C~60°C	-20°C~60°C
	Storage Humidity	10%~90% (non-condensing)			
	Certification	CE/FCC Class B			
	Supported Operating Systems	Windows 8 32/64-bit, Windows 7 Pro for Embedded 64-bit, WES7 64-bit			

Remarks: 1. Specifications are subject to change without prior notice. 2. ODM/OEM is available. 3. For user's manual & datasheet download, visit www.ibase.com.tw.



Backplane Systems Technology

Backplane Systems Technology Pty Ltd
TEL 02 9457 6400
sales@backplane.com.au
www.backplane.com.au

Vertical Applications Panel PC

INOxP: Stainless Steel Panel PC

ASTUT: All-in-one Panel PC with Fiber Card Expansion

BYTEM: Compact Panel PC

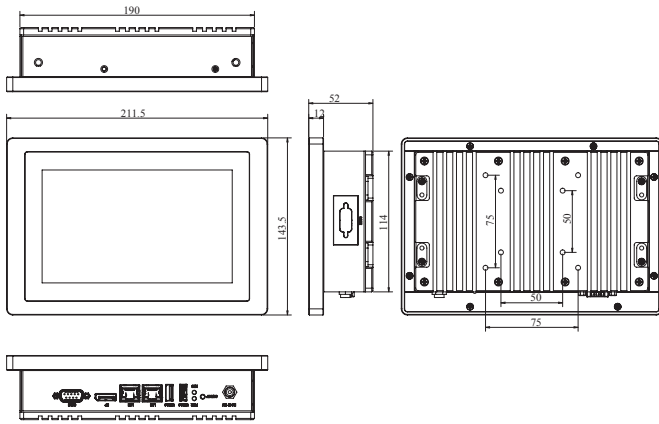
IPPC: Heavy-duty Industrial Panel PC

OPF FRAME PC

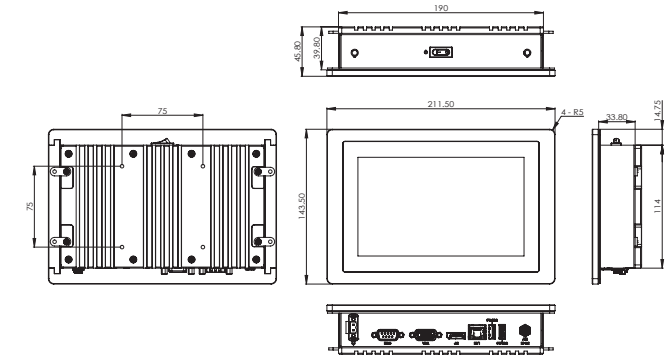
BYARM/MRS: ARM-Based Panel PC

Dimensions

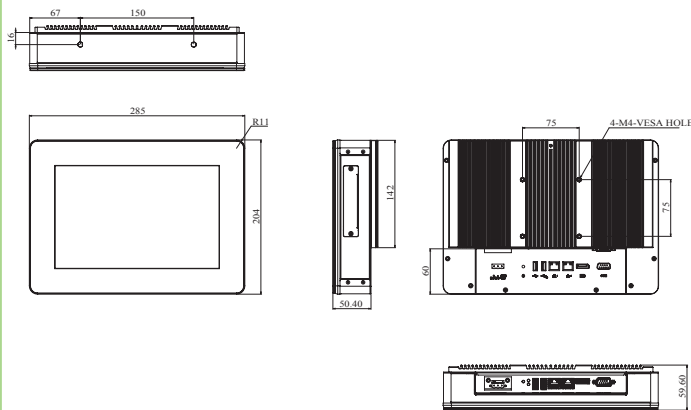
BYTEM-W071-PC



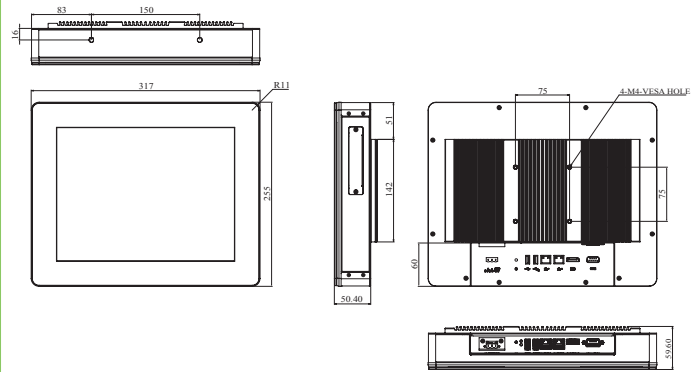
BYTEM-W072-PC



BYTEM-101-PC



BYTEM-121-PC



Ordering Information

BYTEM-W071-PC	7" (1024 x 600) Flat Panel Design Panel PC with IB897, Intel® Atom™ Processor E3815 1.46GHz, 2GB DDR3L SO-DIMM, 32G SSD, projected capacitive touch, w/ 60W power adaptor
BYTEM-W072-PC	7" (1024 x 600) Flat Panel Design Panel PC with IB898, Intel® Atom™ Processor E3825 1.33GHz, DDR3L SO-DIMM 2GB, with 64G mSATA, projected capacitive touch, with 12V power adaptor
BYTEM-101-PC	10.1" (1280 x 800) Flat Panel Design Panel PC with IB897, Intel® Atom™ Processor E3845 1.91GHz, 4GB DDR3L SO-DIMM, 32G SSD, projected capacitive touch, w/o power adaptor
BYTEM-121-PC	12.1" (1024 x 768) Flat Panel Design Panel PC with IB897, Intel® Atom™ Processor E3845 1.91GHz, 4GB DDR3L SO-DIMM, 32G SSD, projected capacitive touch, w/o power adaptor
Power adaptor (optional)	AC 90V~240V input, 12V DC output 84W power adaptor, IBASE P/N: A005PS084W0050000P

Vertical Applications Panel PC
 INOSP: Stainless Steel Panel PC
 ASTUT: All-in-one Panel PC with Riser Card Expansion
 BYTEM: Compact Panel PC
 IPCC: Heavy-duty Industrial Panel PC
 OFP FRAME PC
 BYARM/MRS: ARM-Based Panel PC