



10.4" Flat Stainless P-Cap IP69K Panel PC

(Intel® Celeron Bay Trail N2930 1.83GHz)

Flat Stainless P-Cap Chassis MODEL #: R10IB3S-SPT269



Features:

- 10.4", 1024 x 768, P-cap touch with flat design
- Intel® Celeron Bay Trail-M N2930, 1.83 GHz
- SUS 316 / AISI 316 stainless steel for food and chemical industries
- Full IP69K waterproof enclosure, good corrosion resistance
- A true flat, easy-to-clean front surface with edge-to-edge design
- Plenty of I/Os, including USB 2.0, RS232 and RJ45-10/100/1000 LAN
- Waterproof ports with adapter cables for external connectivity
- Supports VESA mount
- Supports Glove/ Rain mode (Optional)

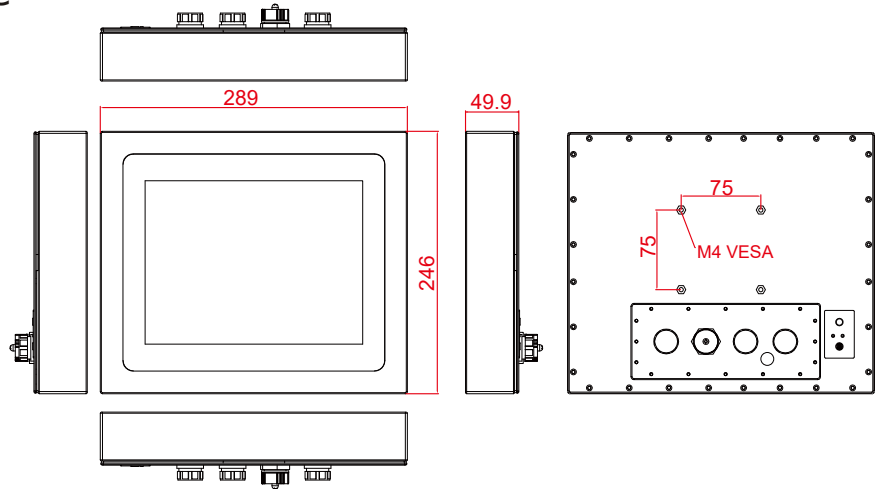
Waterproof connector / cable

Air Venting Valve



2 x USB2.0 LAN COM2 Power

* Note: this is a simplified drawing and some components are not marked in detail. Please contact our sales representative if you need further product information.



System Specifications

TFT Characteristics :	
• Resolutions	: 1024 x 768
• Brightness	: 350 cd/m ² (typ.)
• Contrast Ratio	: 1000 : 1 (typ.)
• Viewing Angles	: -88~88(H); -88~88(V)
• Max Colors	: 16.2M
• Touchscreen	: P-cap (Default), Glass (Optional)

Power Specifications :	
• Power Input	: 12V DC IN (Lockable Power Jack)
• Power Consumption	: 33W (typ.)(Max.backlight & high CPU load)

Environment Considerations :	
• Operating Temperature	: 0 deg.C to 45deg.C
• Operating Humidity	: 30% to 90% (non condensing)
• IP Rating	: IP69K, air venting valve

Specifications :	
• Processor	: Intel® Celeron Bay Trail-M N2930 1.83GHz
• BIOS	: AMI 16Mbit Flash
• System Chipset	: Intel® Atom SoC Integrate
• Memory Slot	: 1 x SO-DIMM, Default 4GB, Max 8GB DDR3L 1600
• Storage	: Default 64GB Mini PCIe SATA III
• Graphic Chipset	: Integrated HD Graphics
• Ethernet	: 2 x RJ45 Gigabit LAN (1 x RJ45 internal)
• Audio	: Built in ALC886 HD Audio Codec
• USB	: 6 x USB2.0 (4 x USB internal)
• Serial	: 4 x RS232 (3 x RS232 internal)
• Expansion Slot	: 1 x Mini PCIe (Internal)
• SSD Interface	: 1 x Mini PCIe SSD
• Power Input	: DC-IN (Lockable, Power Jack)
• Certification	: CE, FCC, RoHS
• Security	: Trusted Platform Module (TPM 1.2)

Input/ Output Connectors :	
• Ethernet LAN	: 1 X RJ45 - 10/100/1000 Mbps
• COM	: 1 x RS232
• USB	: 2 x USB Type-A Receptacle
• Power	: 1 x 12VDC

Mechanical Specifications :	
• Housing	: SUS 316/ AISI 316 stainless steel

Accessories :	
<ul style="list-style-type: none"> • External Power Supply 50W w/power cord • LAN Cable • Serial Cable • USB Cable • VESA screws 	

Order Options :	
SBC	PANEL PC
<u>RAM</u> : SODIMM DDR3L Max 8GB	<u>OS</u> : Windows 10 IoT Enterprise Windows Embedded 8.1 Industry Pro Windows Embedded 8 Standard Windows Embedded 7 Standard
<u>Storage</u> : Mini PCIe SSD	

* A customized housing is needed if you would like to have more I/O connectors



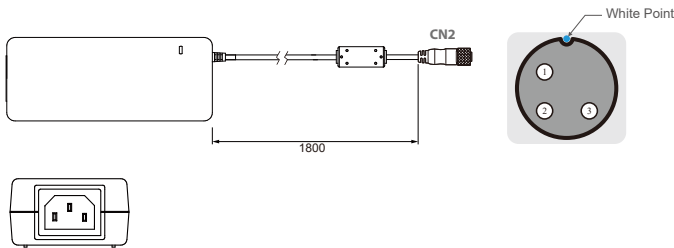
10.4" Flat Stainless P-Cap IP69K Panel PC (Intel® Celeron Bay Trail N2930 1.83GHz)

Flat Stainless P-Cap Chassis

MODEL #: R10IB3S-SPT269

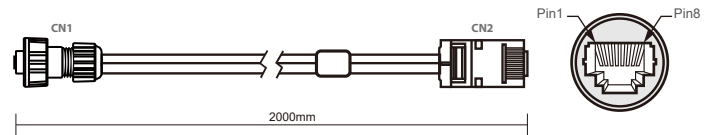
Pin Assignment of Cables

Power Cable



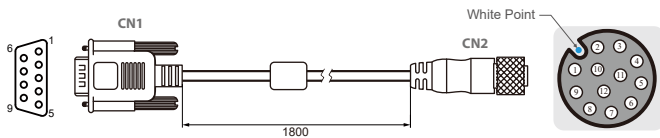
Pin No.	Symbols	Color		Pin No.	Symbols	Color
CN1-1	VIN -	NO ASSIGN	↔	CN2-1	VCC+	Flow Adapter
CN1-2	VIN -	NO ASSIGN	↔	CN2-2	GND	Flow Adapter
CN1-3	VIN -	NO ASSIGN	↔	CN2-3	VCC -	Flow Adapter

LAN Cable



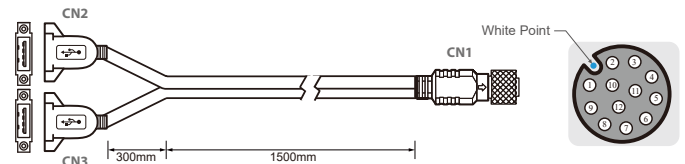
Plug	Wire Color	Conn.	
1	Orange / White	1	Twist
2	Orange	2	
3	Green / White	3	
4	Blue	4	Twist
5	Blue / White	5	
6	Green	6	Twist
7	Brown / White	7	
8	Brown	8	

RS232 Cable



Pin No.	Symbols	Color		Pin No.	Symbols	Color
CN1-1	DCD-CON2	Green	↔	CN2-1	DCD-CON2	Green
CN1-6	DSR-CON2	Brown	↔	CN2-2	DSR-CON2	Brown
CN1-2	RXD-CON2	Red	↔	CN2-3	RXD-CON2	Red
CN1-7	RTS-CON2	Orange	↔	CN2-4	RTS-CON2	Orange
CN1-3	TXD-CON2	Blue	↔	CN2-5	TXD-CON2	Blue
CN1-8	CTS-CON2	White	↔	CN2-6	CTS-CON2	White
CN1-4	DTR-CON2	Purple	↔	CN2-7	DTR-CON2	Purple
CN1-9	RI-CON2	Yellow	↔	CN2-8	RI-CON2	Yellow
CN1-5	GND-CON2	Black	↔	CN2-9	GND-CON2	Black

USB Cable



Pin No.	Symbols	Color		Pin No.	Symbols	Color
CN1-2	VCC	RED	↔	CN2-1	VCC	RED
CN1-3	D-	WHITE	↔	CN2-2	D-	WHITE
CN1-4	D+	GREEN	↔	CN2-3	D+	GREEN
CN1-5	GND	BLACK	↔	CN2-4	GND	BLACK
CN1-6	VCC	RED	↔	CN3-1	VCC	RED
CN1-7	D-	WHITE	↔	CN3-2	D-	WHITE
CN1-8	D+	GREEN	↔	CN3-3	D+	GREEN
CN1-9	GND	BLACK	↔	CN3-4	GND	BLACK
CN1-1	GND	Braid	↔	Braid connect to the housing		



Backplane
Systems
Technology

Backplane Systems
Technology Pty Ltd

TEL 02 9457 6400
sales@backplane.com.au
www.backplane.com.au

Proudly Australian-Owned Since 1989