

BYTEM-123-PC

EN50155 Certified Intel® Atom™ Processor E3845 Quad-Core
12.1" Transportation Panel PC

Transportation Series 12"

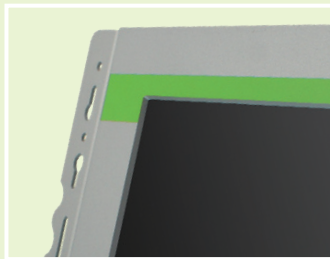


I/O View



Features

- EN50155 certified
- Optical bonding
- Front bezel IP65 and full IP54 protection



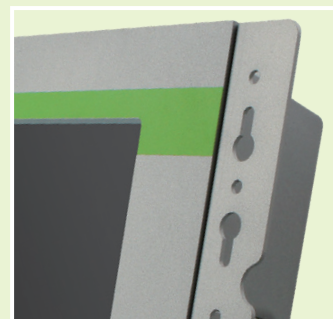
- 24V DC power input with M12 connector, 48V DC, 72V DC or 110V DC as options
- Two M12 LAN ports and one M12 USB port



- Movable and programmable membrane keypad



- Additional rack mount kit



Remarks: 1. Specifications are subject to change without prior notice. 2. ODM/OEM is available.



Backplane
Systems
Technology

Backplane Systems
Technology Pty Ltd

TEL 02 9457 6400
sales@backplane.com.au
www.backplane.com.au

iBASE

Vertical Applications
Panel PC

INOSP: Stainless Steel
Panel PC

ASTUT: All-In-one Panel PC
with Riser Card Expansion

BYTEM: Compact Panel PC

IPPC: Heavy-duty
Industrial Panel PC

OPF-FRAME PC

BYARM/MRS:
ARM-Based Panel PC

BYTEM-123-PC

Specifications

Model No.	BYTEM-123-PC	
Display & Touch Screen	Display Size	12.1" TFT-LCD
	Max. Resolution	1024 x 768
	Luminance (cd/m ²)	350
	Contrast	800:1
	Max. Color	16.7M
	View Angle (H°/V°)	170/170
	Backlight Lifetime(hrs)	30000
	Touch Type	Projected capacitive
	Touch Interface	USB
	Light Transmission (%)	90
	Point of touch	2
I/O Interface	USB 3.0	1
	USB 2.0	1x Type A and 1x M12 connector
	RS-232/422/485 Selectable in BIOS	1
	RS-232	0
	LAN	2x GbE 2x 10/100 LAN with M12 connector
	Additional Graphics	DP
	Audio	None
	Digital I/O	None
	Power Connector	4-pin M12 connector
	Power Button	Reset button
Mechanical	Dimensions (mm)	335 x 267 x 72.1
	Net Weight (kgs)	3.6
System	Processor	Intel® Atom™ Processor E3845 (Quad-Core @ 1.91GHz)
	Memory	2x DDR3L SO-DIMM, up to 8GB, default DDR3L 4GB (4GBx1)
	Thermal Design	Fanless
	Membrane Control	Brightness up/down and Volume up/down/power button
	Built-in Speaker/MIC	2x Speaker
Expansion	Internal Expansion Bus	1x mPCI-E(x1) w/ USB signal [half-size] 1x mSATA/mPCI-E(x1) w/ USB signal and mSATA support [full-size]
	Expansion Slot	None
	Wireless	Optional Wi-Fi/BT
Storage Space	HDD	1x 2.5" SATA
	Removable	None
Power	Power Input Range	24V DC (default) power input, optional 48V DC, 72V DC & 110V DC
Construction	Chassis Material	Aluminum front bezel and back cover
	Color (Front/Back)	Silver/Silver
	IP Rating	IP65 front bezel/ IP54 for whole unit with I/O cover
	Mounting	Wall mount and VESA 75x75 mm
Environmental	Operating Temperature	-40°C~70°C (EN50155-TX)
	Storage Temperature	-40°C ~ 85°C
	Storage Humidity	10%~90% (non-condensing)
	Certification	CE/FCC Class B EN50155: 2007 EN45545-2
	Supported Operating Systems	Windows 10 32/64-bit, Windows 7 32/64-bit, Linux 3.x/4.x

Vertical Applications Panel PC

INOSP: Stainless Steel Panel PC

ASTUT: All-in-one Panel PC with Riser Card Expansion

BYTEM: Compact Panel PC

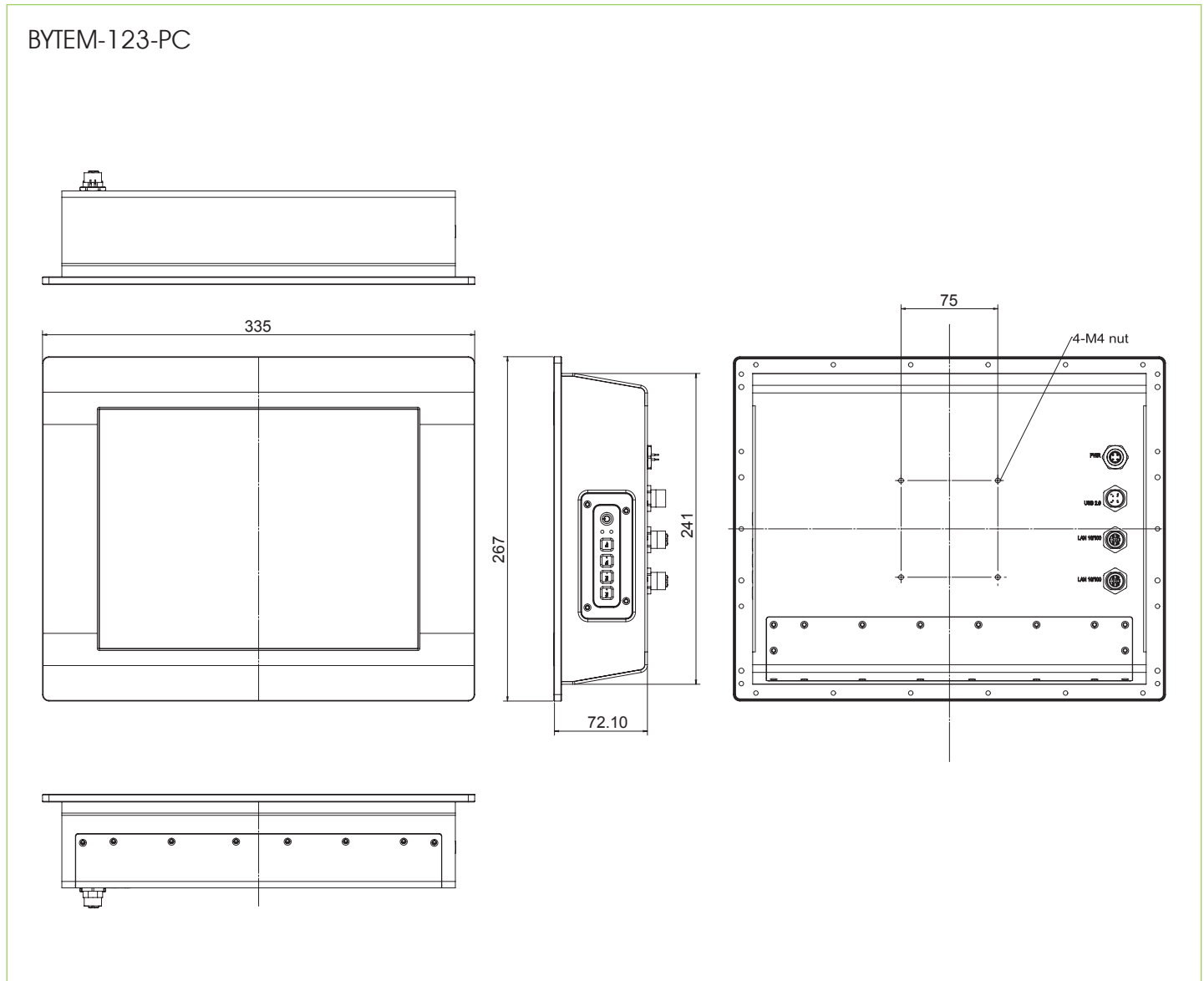
IPPC: Heavy-duty Industrial Panel PC

OFP FRAME PC

BYARM/MRS: ARM-Based Panel PC

BYTEM-123-PC

Dimensions



Ordering Information

BYTEM-123-PC	12.1" (1024 x 768) Panel PC with IB897, Intel® Atom™ Processor E3845 1.91GHz, 4GB DDR3L SO-DIMM, 64G SSD, projected capacitive touch, w/o power adaptor
Power adaptor (optional)	AC 100V~240V input, 24V DC output 90W power adaptor, IBASE P/N: A005PS090W0100600P



Backplane
Systems
Technology

Backplane Systems
Technology Pty Ltd

TEL 02 9457 6400
sales@backplane.com.au
www.backplane.com.au

Remarks: 1. Specifications are subject to change without prior notice. 2. ODM/OEM is available.