

M900P, 8-inch Rugged Tablet



Backplane
Systems
Technology

Backplane Systems
Technology Pty Ltd
TEL 02 9457 6400
sales@backplane.com.au
www.backplane.com.au

Rugged Tablet that Can Survive Any Environment and Get Real Work Done

M900P is a compact rugged tablet with robust set of features designed to withstand industrial use while providing high tech solutions that increase productivity, improve safety, and reduce operational costs. The processing power comes from Intel's Apollo Lake processor paired with genuine Intel graphics for high performance. The tablet features a brilliant projective capacitive touch screen, which is outdoor viewable and offers 1280 x 800 pixel resolution. Weighing at just 2.2 pounds (approx. 900 grams) the M900P delivers lightweight mobility in a rugged tablet.



Highlights

- Intel® Pentium N4200 Apollo Lake processor
- 8" daylight readable panel with direct optical bonding
- Default D-sub for vehicle gateway connection
- Optional EMV/MSR reader
- IP65 waterproof and dustproof
- Optional Barcode Scanner and RFID Reader

Order Information			
4G/ LTE	1D/2D Barcode Reader (BH)	HF RFID Reader (HF)	EMV/MSR Reader (SC)
M900P (Not available)	M900P-BH	M900P-HF	M900PT
M900P-LA (North America)	M900P-LABH	M900P-LAHF	M900PT-LA
M900P-LE (Europe)	M900P-LEBH	M900P-LEHF	M900PT-LE

Note: Barcode Reader and RFID Scanner are mutually exclusive options.



M900P, 8-inch Rugged Tablet

Rugged Tablet that Can Survive Any Environment and Get Real Work Done

Display Specification

Size	8-inch
Resolution	1280x800
Brightness	510 nit ¹
Viewing Angle	85/85/85/85
Touch	Multi touch projected capacitive
Contrast Ratio	800:1

System Specification

Processor	Intel® Pentium N4200 Processor 1.10 GHz, up to 2.50 GHz with turbo boost technology
System Memory	4 GB LPDDR4 ²
Storage	64 GB solid state drive (SSD)
Operating System	Windows 10 IoT Enterprise (64 bit)

Interface

Docking Connector	1 x 19-pin docking connector
USB	1 x USB3.0 (Type-A), 1 x USB3.0 (Type-C)
Audio Connector	1 x Audio Combo connector (Mic in or Line Out)
Power Input	1 x Power Jack
D-Sub	1 x 15-pin D-sub connector

Audio

Microphone	Built-in dual Digital Mic with Noise Cancellation
Speaker	2 x 1 Watt speaker

Camera

Front Camera	2MP Webcam
Rear Camera	8MP Rear Camera with Autofocus and LED Light

Data Capture

EMV/MSR	MSR & Contact EMV Card Reader (Optional)
Barcode	1D/2D Barcode Scanner (Optional) ³
RFID	RFID Reader (Optional) ³

Wireless Communications

WLAN	802.11 a/b/g/n/ac
WWAN	4G/LTE (Optional)
Bluetooth	Bluetooth 5.0
GNSS	GPS, GLONASS

Keyboard and Input

Buttons	<ul style="list-style-type: none">On-screen QWERTY KeyboardButtons: 1 x Power, 1 x Home, 3 x function key (Programmable function key configured by Hottab Utility)
LED Indicators	Power, Charging Indicator, HDD, RF
Touch	10-point multi touch

Security Function

Security	TPM v2.0, computrace ready (Optional)
----------	---------------------------------------

Standards and Certification

EMC	CE, FCC
IoT	Microsoft Azure Certified for IoT

Mechanical and Environment

Dimensions	225 x 148 x 20.5 mm (10 x 7.76 x 0.8 inches) ⁴
Weight	0.9 kg with battery
Operating Temperature	-20°C to 60°C (AC mode), -10°C to 50°C (Battery mode)
Storage Temperature	-30°C to 70°C (-22°F to 158°F)
Humidity	10% to 90% RH, non-condensing
IP Rating	IP65 certified, dustproof and waterproof
Shock	MIL-STD-810G Method 516.6 Procedure I
Vibration	MIL-STD-810G Method 514.6 Procedure I
Drop	MIL-STD-810G Method 516.6, 5 ft to concrete

Power Management

Power Input	19V DC, 3.24A
Battery	7.6V, typ. 4200 mAh Li Polymer Battery (2S2P)
Battery Operating Time	7 hours
AC Adapter	100-240V, 50~60Hz

Accessories⁵

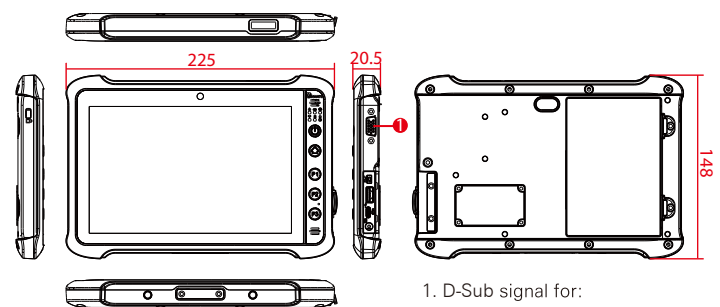
Standard Accessories

Adapter and Power Cord	922D065W19V1
Standard Battery Pack	98KA00000002

Optional Accessories

Desk Dock	98DA00000001
Vehicle Gateway	98DA00000003
Vehicle Cradle	98DA00000002
Battery Charger	98JA00000001
Carry Bag	98B000000003J
Hand Strap	98KA00000003
Capacitive Stylus	98B0000000415

Drawing⁶



1. D-Sub signal for:
Power Input 12V
USB 2.0
Audio Out
COM Port



Do Not Expose the Battery Pack to Excessive Heat, or Extreme Heat (Near Fire, in Direct Sunlight for example)
Do not expose bare skin to this product when handling this unit in extreme hot or cold environments
Caution

- Measured at dimming LCD brightness. Varies depending on the usage conditions, or when an external device is attached.
- Total usable memory will be less depending upon actual system configuration.
- Barcode Reader and RFID Scanner are mutually exclusive options.
- Length measurements do not include protrusions. Weight varies with options.
- Accessories and Integrated Options may vary depending on your configuration.
- This is a simplified drawing and some components are not marked in detail.



Backplane Systems
Technology Pty Ltd

TEL 02 9457 6400
sales@backplane.com.au
www.backplane.com.au



Revised Date:07- Aug-2019 V1.2