

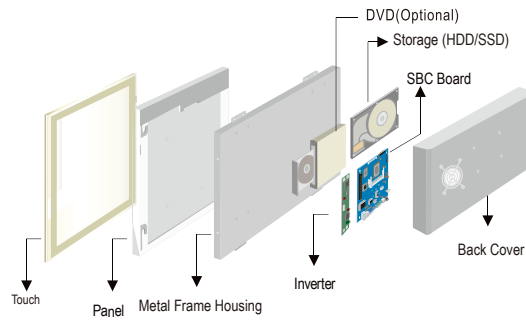


W15IB7T-POA4 15.6" Panel PC (Intel Celeron Bay Trial-M N2930 1.83GHz)

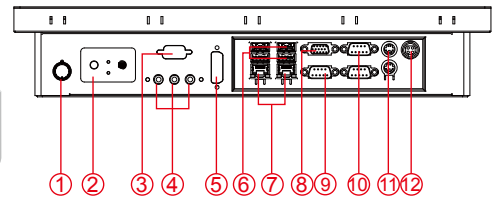
Mechanical Design



Open Frame



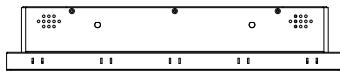
Modularized Construction



- | | |
|---------------------------|------------------|
| 1. Dimming Knob | 7. LAN |
| 2. OSD Membrane | 8. VGA |
| 3. RS-232 (Optional) | 9. RS232/422/485 |
| 4. Audio Jack | 10. RS-232 |
| 5. DVI (Optional)* | 11. PS/2 |
| 6. USB (1 X 3.0, 3 X 2.0) | 12. 12V DC in |
- * Only 2 display output at the same time

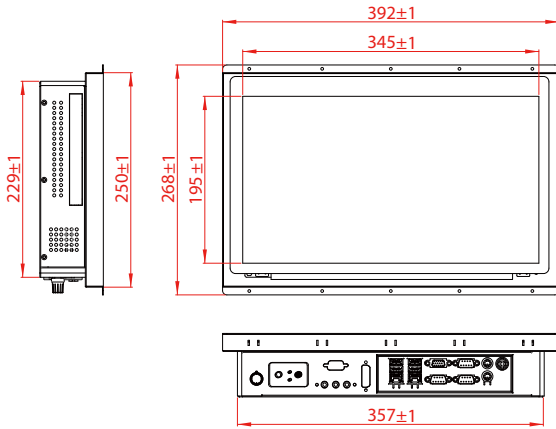
Fully Integrated I/O

SIDE VIEW



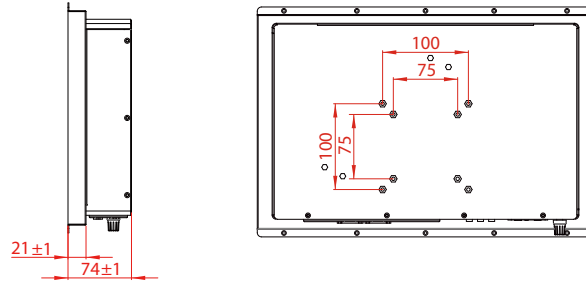
SIDE VIEW

BACK VIEW



BOTTOM VIEW

8-M4 VESA MOUNT D=3



- * Measurements shown in mm
- * Tolerance of all dimensions is shown as follow 0~30 mm ± 0.1 mm, 30~50 mm ± 0.15 mm, 50~120 mm ± 0.2 mm, above 120 mm ± 0.25 mm
- * Note: this is a simplified drawing and some components are not marked in detail. Please contact our sales representative if you need further product information.

Specifications

System :

- CPU : Intel® Celeron® Bay Trial-M N2930 1.83GHz
- System Chipset : Intel® Atom SoC Integrated
- Memory Slot : SODIMM DDR3L 1600 Max. 8GB
- IDE/SATA : 1 x SATA II
- LAN : Intel® I210-AT GbE LAN x 2
- Audio Codec : Realtek HD Audio Codec

Panel Spec :

- Size/Type : 15.6" TFT LCD
- Resolutions : 1920 x 1080
- Brightness : 300 cd/m²(typ.)
- Contrast Ratio : 800 : 1 (typ.)
- Viewing Angle s : -85~85(H);-85~85(V)
- Max Colors : 16.7M

Input / Output :

- Serial Ports : 2 x RS232, 1 x RS232/422/485
- USB Ports : 1 x USB 3.0, 3 x USB 2.0
- Keyboard / Mouse : 2 x PS/2
- Ethernet : 2 x RJ45-10/100/1000 Mbps
- VGA : 1 x VGA (female)
- Audio : Line-out, Line-in, Mic in

• Default setting:RS232

Environment Considerations :

- Operating Temperature : 0 °C to 50 °C
- Operating Humidity : 30% to 90% (non condensing)

OS BSP / Driver Support :

- Support Windows 10 IoT Enterprise / Windows 7 embedded / Windows 8 embedded

Security Support

- Trusted Platform Module (TPM 1.2)

Order Options :

Mechanical: Open Frame	Storage : 2.5" HDD/2.5" SSD/mSATA SSD
Touch : P-CAP	RAM : SODIMM DDR3L 1600 Max.8GB
	OS : Windows 10 IoT Enterprise / Windows 8 embedded / Windows 7 embedded (Optional)

Accessories :

- External Adapter : 110~240V Ac-in Power Adapter

