

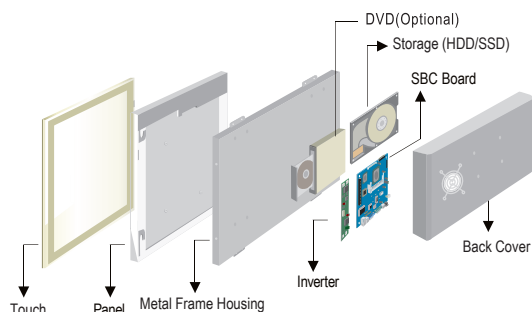


W22IB7T- POA3 21.5" Panel PC (Intel Celeron Bay Trial-M N2930 1.83GHz)

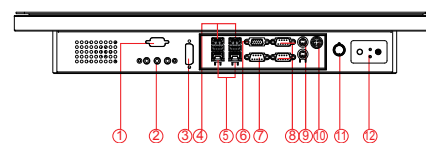
Mechanical Design



Open Frame



Mechanical design

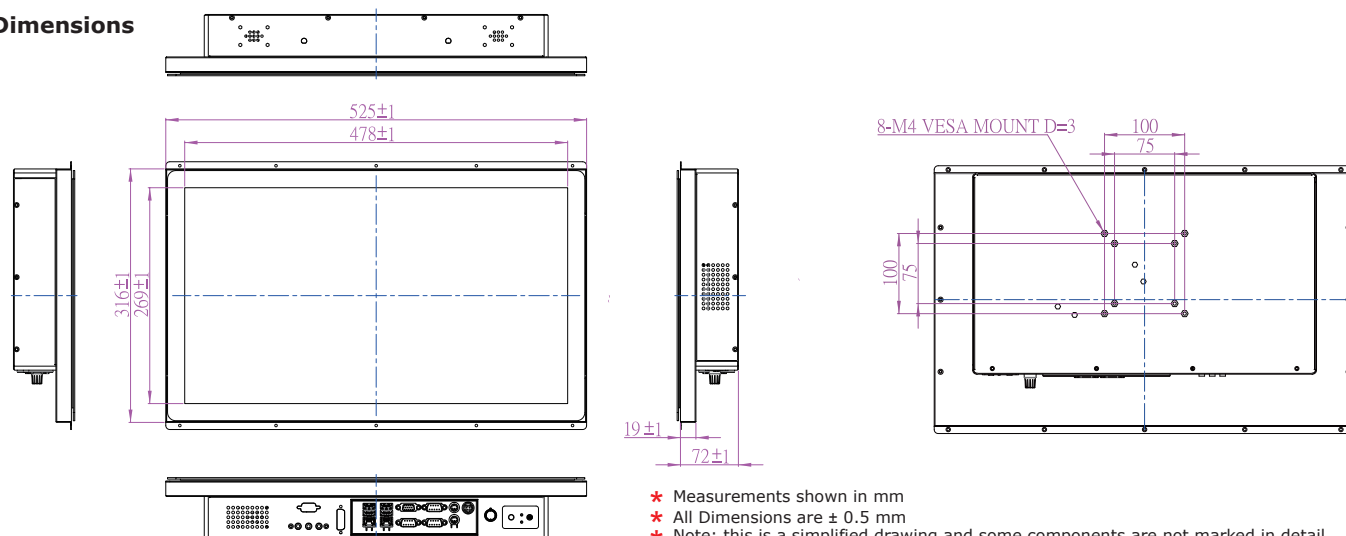


1. RS-232 (Optional)
2. Audio Jack
3. DVI (Optional)*
4. USB(1 x 3.0, 3 x 2.0)
5. LAN
6. VGA
7. RS-232/422/485
8. RS-232
9. PS/2
10. 12V DC IN
11. Dimming knob
12. OSD membrane

* Only 2 display output at the same time

Fully Integrated I/O

Dimensions



- * Measurements shown in mm
- * All Dimensions are ± 0.5 mm
- * Note: this is a simplified drawing and some components are not marked in detail. Please contact our sales representative if you need further product information.

Specifications

System :

- CPU : Intel® Celeron® Bay Trial-M N2930 1.83GHz
- System Chipset : Intel® Atom SoC Integrated
- Memory Slot : SODIMM DDR3L 1600 Max. 8GB
- IDE/SATA : 1 x SATA II
- LAN : Intel® I210-AT GbE LAN x 2
- Audio Codec : Realtek HD Audio Codec

Panel Spec :

- Size/Type : 21.5 " TFT
- Resolutions : 1920x1080
- Brightness : 250 (typ.)
- Contrast Ratio : 3000:1 (typ.)
- Viewing Angle : -89~89 (H) ; -89~89 (V)
- Max. Colors : 16.7M (8bits/color)

Input / Output :

- Serial Ports : 2 x RS232, 1 x RS232/422/485
- USB Ports : 1 x USB 3.0, 3 x USB 2.0
- Keyboard / Mouse : 2 x PS/2
- Ethernet : 2 x RJ 45-10/100/1000 Mbps
- VGA : 1 x VGA (female)
- Audio : Line-Out, Line-In, Mic in

• Default setting:RS232

Environment Considerations :

- Operating Temperature : 0°C to 50 °C
- Operating Humidity : 30% to 90% (non condensing)

OS BSP / Driver Support :

- Support Windows 10 IoT Enterprise / Windows 8 embedded / Windows 7 embedded

Security Support

- Trusted Platform Module (TPM 1.2)

Expansion Slot :

- 2 x Mini PCIe (1 for WiFi, 1 for WWAN Module)

Power Specifications :

- Power Input : 12V DC IN (Lockable Power Jack)
- Power Consumption : 60W (typ.)(Max.backlight & high CPU load)

Accessories :

- External Adapter : 110~240V Ac-in Power Adapter

Order Options :

- | | | | |
|------------|--------------|---------|---|
| Mechanical | : Open Frame | Storage | : 2.5" HDD/2.5" SSD/mSATA SSD |
| Touch | : P-CAP | RAM | : SODIMM DDR3L
1600 Max.8GB |
| | | OS | : Windows 10 IoT Enterprise
Windows 8 embedded /
Windows 7 embedded
(Optional) |

