

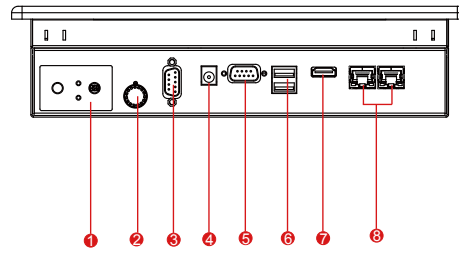
# R10IK3S-PPT2

## 10.4" P-CAP Panel PC (Intel® 7<sup>th</sup> Generation Core™ i5 Platform)

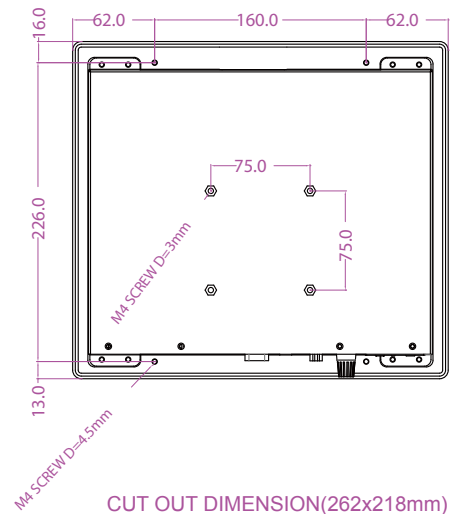
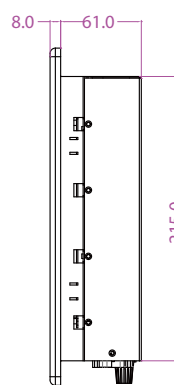
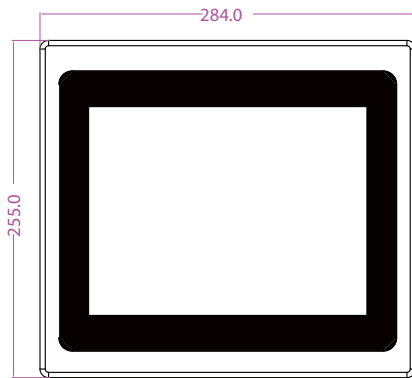
### Mechanical Design



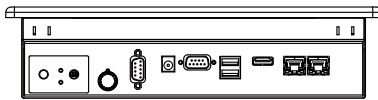
**Real Flat Panel Mount (IP65 front side)**



1. OSD Membrane
2. Brightness Adjustment Knob
3. RS232
4. 12V DC IN
5. RS232(Optional 422/485)
6. USB3.0 x 2
7. HDMI
8. LAN x 2



**CUT OUT DIMENSION(262x218mm)**



### Specifications

#### System :

- Processor : Intel® Core i5-7200U 2.5GHz (turbo to 3.1GHz)
- BIOS : Insyde BIOS
- System Chipset : Intel® SoC Integrated
- System Memory : 4GB DDR4-2133 SO-DIMM (Max 16GB)
- Graphic Chipset : Intel® HD Graphics 620
- Storage : 64GB M.2 B Key SATA III (Options up to 256GB)
- LAN : Intel® Gigabit-LAN Controller I211AT + PHY I219LM
- Audio : Realtek ALC283 HD Audio Codec

#### Input / Output :

- Serial Ports : 1 x RS232(Optional 422/485)  
1 x RS232
- USB Ports : 2 x USB 3.0
- Ethernet : 2 x RJ 45-10/100/1000 Mbps
- HDMI : 1 X HDMI 1.4

#### Power Specifications :

- Power Input : 12V DC IN
- Power Consumption : 80W (Max backlight & High CPU load)

#### Accessories

- External Adapter : 110~230V Ac-in Power Adapter

#### Panel Spec :

- Size/Type : 10.4" TFT
- Resolution : 1024 x 768
- Brightness : 350 nit (typ.)
- Contrast Ratio : 1000 : 1 (typ.)
- Viewing Angle : -88~88(H); -88~88(V)
- Max Colors : 16.2M colors
- Touch Screen : Projected Capacitive multi-touch

#### Mechanical Specification :

- Cooling System : Fanless design
- Mounting : VESA Mount(75x75mm) / Panel Mount
- Dimension (W x H x D) : 284 x 255 x 69 (mm)
- Cut out Dimension : 262 x 218 (mm)

#### Environment Considerations :

- Operating Temperature : 0 deg.C to 50 deg.C
- Operating Humidity : 30% to 90% (non condensing)

#### OS Support

- Windows 10 IoT Enterprise

