

# R15RK3S-EHC3, 15-inch E-Series HMI

Smartly Designed to Satisfy the Needs of Industrial Automation

The E-Series HMI - R15RK3S-EHC3 is a 15-inch panel PC ideal for industrial machinery, equipment, control and automation applications in various factory scenarios and comes in an easy to deploy panel mounted option with no-drill mounting. Ease of use, durability, reliability, and accurate controls are essential to the safe and efficient operation of monitoring systems, and Winmate's E-Series HMI was designed with all of these qualities in mind in a cost-effective package.



## Highlights

- 15" 1024 x 768 Resolution with Projected Capacitive Multi-Touch (P-CAP)
- Arm® Dual-core Cortex®-A72 up to 2.0GHz + Quad-core Cortex®-A53 up to 1.5GHz
- Fanless cooling system and Ultra-low power consumption
- Front IP65 Water and Dust Proof
- 1 x USB 3.0, 1 x USB 2.0; 1 x RS232/422/485; 1 x RJ45; 1 x Micro SD Slot; 1 x Micro HDMI; 1 x USB OTG
- Supports PoE function



Backplane  
Systems  
Technology

Backplane Systems  
Technology Pty Ltd

TEL 02 9457 6400  
sales@backplane.com.au  
www.backplane.com.au

*Proudly Australian-Owned Since 1989*

# R15RK3S-EHC3, 15-inch E-Series HMI

Smartly Designed to Satisfy the Needs of Industrial Automation

## Display Specification

Size	15"
Resolution	1024 x 768
Brightness	300 nits (typ.)
Contrast Ratio	2000:1 (typ.)
Viewing Angle	-88~88(H); -88~88(V)
Max Colors	16.7M
Touch	Projected Capacitive Multi-Touch (P-CAP) Optional anti-glare coating

## System Specification

Processor	Arm Dual-core Cortex-A72 up to 2.0GHz + Quad-core Cortex-A53 up to 1.5GHz
System Memory	2GB LPDDR3L 1600 (Optional 4GB LPDDR3L)
Storage	16GB eMMC (default), Micro SD Card
Operating System	Android 7.1 (default)

## Interface

Serial Ports	1 x RS-232/422/485
USB Ports	1 x USB 3.0, 1 x USB 2.0, 1 x USB OTG
SD Card Slot	1 x Micro SD Card Slot
Ethernet	1 x RJ 45-10/100/1000 Mbps LAN support PoE function
HMDI	1 x Micro HDMI

## Power Management

Power Input	12V DC
Power Over Ethernet	Power Device (PD) follows IEEE 802.3at (25 W), IEEE 802.3af (15 W)
Power Consumption	17.7W

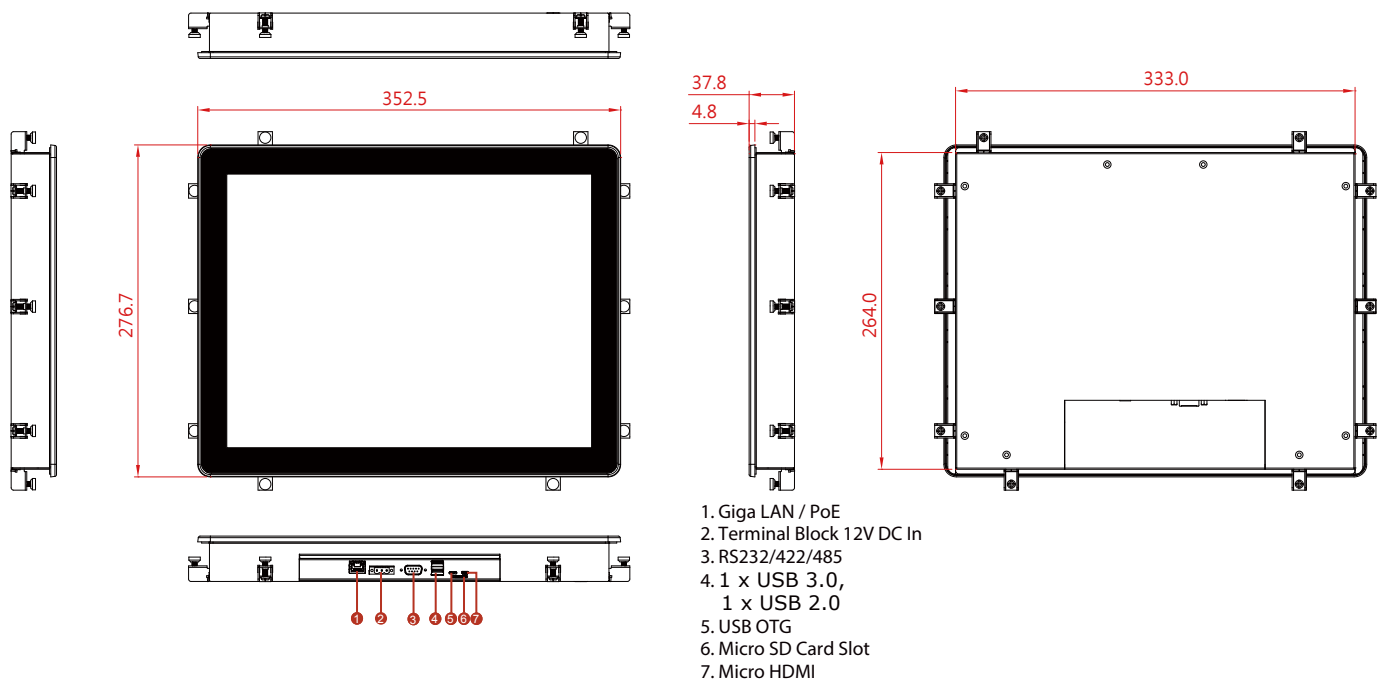
## Mechanical and Environment

Cooling System	Fanless design
Mounting	Mounting clips x 8
Dimensions (W x H x D)	276.7 x 352.5 x 56.3
Cutout Dimensions (W x D)	390.4 x 227.3 (mm)
Design	Panel Mount Front IP65 Design

## Environment

Operating Temperature	-10 °C to 50 °C
Operating Humidity	10% to 90% (non condensing)

## Drawing



Backplane  
Systems  
Technology

Backplane Systems  
Technology Pty Ltd

TEL 02 9457 6400  
sales@backplane.com.au  
www.backplane.com.au

Proudly Australian-Owned Since 1989