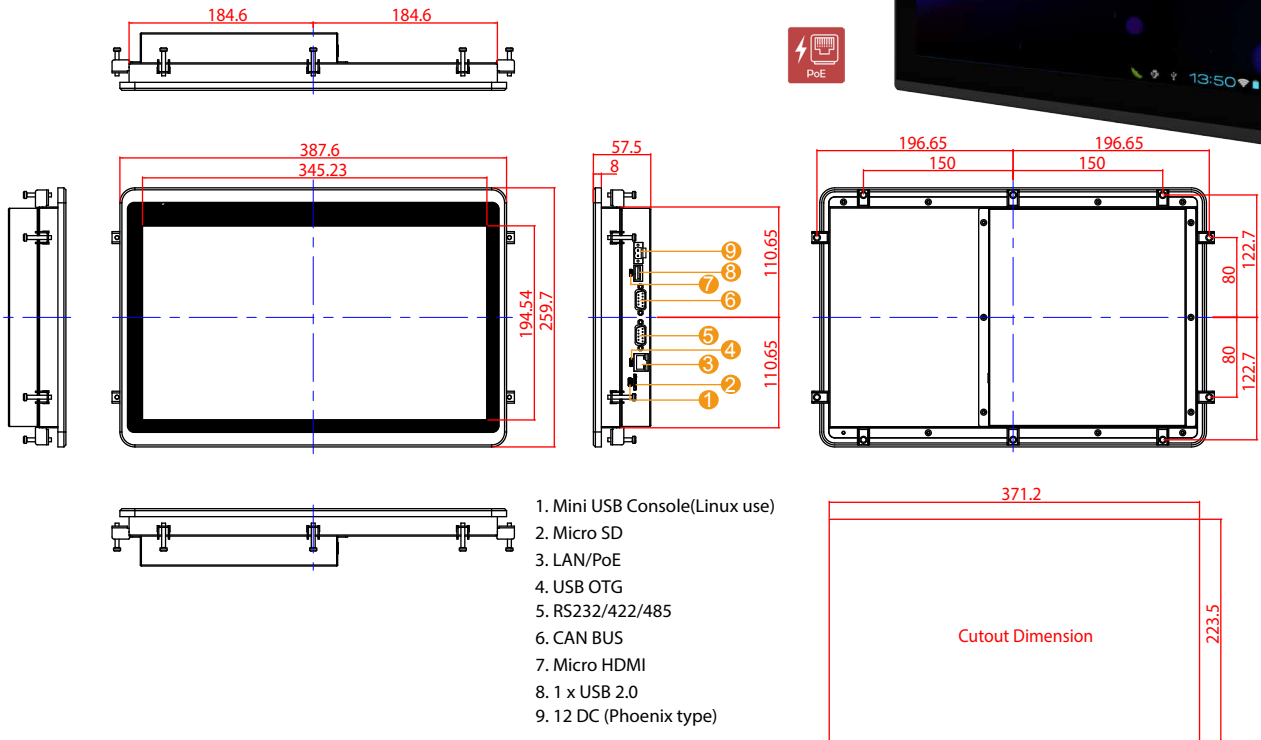


15.6" E-Series HMI with Freescale i.MX6

- 15.6" 1920 x 1080 Resolution with Projected Capacitive Multi-Touch (P-CAP)
- Freescale Cortex A9 i.MX6 Dual Core 1GHz
- Fanless cooling system and Ultra-low power consumption
- Support PoE function
- Front IP65 Water and Dust Proof
- 1 x USB ; 1 x RS232 / 422 / 485 ; 1 x CAN BUS ; 1 x Micro SD Slot ; 1 x Micro HDMI



Specifications

System :

- Processor : Freescale Cortex A9 i.MX6 Dual Core 1GHz (Optional Qual Core)
- System Memory : 1GB LPDDR3 (Optional 2GB LPDDR3)
- Storage : Onboard 16GB eMMC / Micro SD card

Input / Output :

- USB Ports : 1 x USB 2.0 host, 1 x USB OTG
- COM port : 1 x RS232 (Optional 422/485)
- HDMI port : 1 x Micro HDMI
- CANBUS : 1 x CANBUS
- Ethernet : 1 x RJ45, 10/100/1000 LAN Support PoE function
- SD Slot : 1 x Micro SD Card Slot
- Debug : 1 x Mini USB to Debug

Power Specifications :

- Power Input : 12V DC
- Power Over Ethernet: Support PoE (optional), Power Device (PD): follows IEEE 802.3at (25 W)
 * Recommended to use without other power-consuming devices

Display Spec :

- Size/Type : 15.6" TFT (Wide screen)
- Resolutions : 1920 x 1080
- Brightness : 300 cd/m (typ.)
- Contrast Ratio : 800 : 1 (typ.)
- Viewing Angle : -85~85(H); -85~85(V)
- Max Colors : 262K (8bit)
- Touch : Projected Capacitive Multi-Touch (P-CAP)

Mechanical Specification :

- Cooling System : Fanless design
- Mounting : Mounting clips x 10
- Dimension (W x H x D) : 387.6 x 259.7 x 57.5 (mm)
- Cutout Dimensions (W x D) : 371.2 x 223.5 (mm)

Environment Considerations :

- Operating Temperature : -10 deg.C to 50 deg.C
- Operating Humidity : 10% to 90% (non condensing)

OS/BSP Driver Support :

- Operation System : Android 6.0 (Default)
 : Ubuntu 16.04 (Optional)
 : Linux Kernel 4.1.15, QT 5.5 Browser (Optional)