

R17IK3S-RKA1ML, 17-inch Military Rack Panel PC Intel Kaby Lake Platform

Winmate's Military Series of console rack Panel PCs are durable PCs that have undergone rigorous testing to ensure safety and performance that goes beyond standard military compliance. These PCs include MIL-DTL-38999 type I connectors and are built to survive drops, shocks, liquid spills, vibrations, dust and extreme temperatures; our specially designed military line of products have also been tested for MIL-STD-810G environmental and MIL-STD 461F EMC standards. The rugged, high-resolution display offers optimized visibility with optical bonding and easy-to-use OSD front panel controls. The advanced computing platform enables faster searches and real-time positioning information, providing rapid response capabilities that are incomparable to a standard PC.



Highlights

- 17" SXGA TFT-LCD
- Intel® Core™ i5-7200U 2.5GHz Processor
- Anti-Corrosion Housing / Fanless
- Compliant with MIL-STD-810G/F , MIL-STD-461E/F
- Flush Rack / Rack Mount Mechanical Design (8U)
- Convenient On-Screen Display Controls
- AC 110~240V Power input default / Isolation DC 9~36V Power input (Optional)
- Built-in Light Sensor for auto brightness control
- Military Grade Power Connector (MIL-DTL-38999/1)



Backplane
Systems
Technology

Backplane Systems
Technology Pty Ltd

TEL 02 9457 6400
sales@backplane.com.au
www.backplane.com.au

Proudly Australian-Owned Since 1989

R17IK3S-RKA1ML, 17-inch Military Rack Panel PC

Intel Kaby Lake Platform

Display Specification

Resolution	1280 x 1024
Contrast Ratio	1000:1
Brightness	350 nits
Viewing Angle	-85~85; -80~80
Max Colors	16.7M

System Specification

CPU	Intel® Core i5-7200U Kaby Lake 2.5GHz
System Chipset	Intel® SoC Integrated
System Memory	1 x DDR4-2133 , Default 4GB (Max 16GB)
Storage	1 x M.2 B Key SATA III ,Default 64GB
BIOS	Insyde H20 BIOS
Audio	Realtek ALC283 HD Audio Codec
Network	Intel Gigabit-LAN Controller I211AT + PHY I219LM
Operating System	Windows 10 IoT Enterprise

Interface

Ethernet LAN	2 x RJ-45
COM	1 x RS232/422/485 (Default RS232) 1 x RS232 (optional)
USB	2 x USB 3.0
Power Input	1 x Power Input (Military Grade Connector)
HDMI	1 x HDMI

Audio

Speaker	2 x speaker
---------	-------------

Keyboard and Input

Physical Buttons	8 Key OSD Control Pad: - Power, Brightness DOWN, Brightness UP, Night, Day, Auto / Manual, Reset, Lock
LED Indicators	3 x LED Indicator - Power status, HDD Status, Lock Status
Touch	5 Wire Resistive

Mechanical Specifications

Dimensions	482 x 354 x 80 mm
Cutout	449 x 336 mm
Weight	8.5 kg
Housing	Metal Housing with Aluminum Bezel
Mounting	Rack Mount / Panel Mount / VESA Mount

Power Management

Power Input	AC 110~240V (Default) DC 9~36V (Optional)
Power Consumption	50W

Environment

Operating Temperature	-20°C ~ 60°C
Storage Temperature	-30°C ~ 70°C
Operating Humidity	95%RH ±3% (non-condensing)

Standards and Certification

MIL-STD 461E/F (Compliance)

RE	RE101 / RE102
CE	CE101 / CE 101
Optional with EMI Glass / Touch	
RS	RS101 / RS 103
CS	CS101 / CS 106 / CS 109 / CS 114 / CS 115 / CS 116

MIL-STD 810F/G (Compliance)

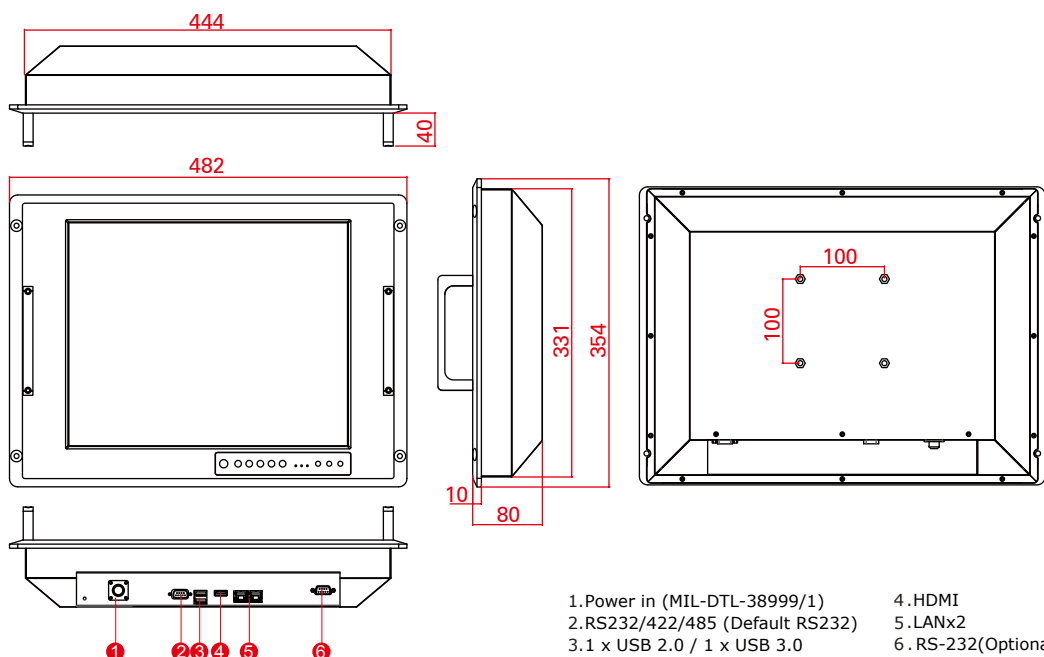
Vibration	MIL-STD-810F/G Method 514.5
Humidity	MIL-STD-810F/G Method 507.4
Transit Drop	MIL-STD-810F/G Method 516.5

Accessories

Standard Accessories

1 x Military Power cord

Drawing



Backplane
Systems
Technology

Backplane Systems
Technology Pty Ltd

TEL 02 9457 6400
sales@backplane.com.au
www.backplane.com.au

Proudly Australian-Owned Since 1989

Revised Date: 27-Feb-2019 V1.1