

R20IK3S-RKA2ML, 20.1-inch Military Rack Panel PC

Intel Kaby Lake Platform

Display Specification

Resolution	1600 x 1200
Contrast Ratio	1400:1
Brightness	300 nits
Viewing Angle	-85~85; -80~80
Max Colors	16.7M

System Specification

CPU	Intel® Core i5-7200U Kaby Lake 2.5GHz
System Chipset	Intel® SoC Integrated
System Memory	1 x DDR4-2133 , Default 4GB (Max 16GB)
Storage	1 x M.2 B Key SATA III ,Default 64GB
BIOS	Insyde H20 BIOS
Audio	Realtek ALC283 HD Audio Codec
Network	Intel Gigabit-LAN Controller I211AT + PHY I219LM
Operating System	Windows 10 IoT Enterprise

Interface

Ethernet LAN	2 x RJ-45
COM	1 x RS232/422/485 (Default RS232) 1 x RS232 (optional)
USB	2 x USB 3.0
Power Input	1 x Power Input (Military Grade Connector)
HMDI	1 x HDMI

Audio

Speaker	2 x speaker
---------	-------------

Keyboard and Input

Physical Buttons	8 Key OSD Control Pad: - Power, Brightness DOWN, Brightness UP, Night, Day, Auto / Manual, Reset, Lock
LED Indicators	3 x LED Indicator - Power status, HDD Status, Lock Status
Touch	5 Wire Resistive

Mechanical Specifications

Dimensions	482.6 x 399.3 x 85 mm
Cutout	449 x 380 mm
Weight	11 kg
Housing	Metal Housing with Aluminum Bezel
Mounting	Rack Mount / Panel Mount / VESA Mount

Power Management

Power Input	AC 110~240V (Default) DC 9~36V (Optional)
Power Consumption	60W

Environment

Operating Temperature	0°C ~ 60°C Wide temperature solution by request
Storage Temperature	-10°C ~ 70°C
Operating Humidity	95%RH ±3% (non-condensing)

Standards and Certification

MIL-STD 461E/F (Compliance)

RE	RE101 / RE102
CE	CE101 / CE 101
Optional with EMI Glass / Touch	
RS	RS101 / RS 103
CS	CS101 / CS 106 / CS 109 / CS 114 / CS 115 / CS 116

MIL-STD 810F/G (Compliance)

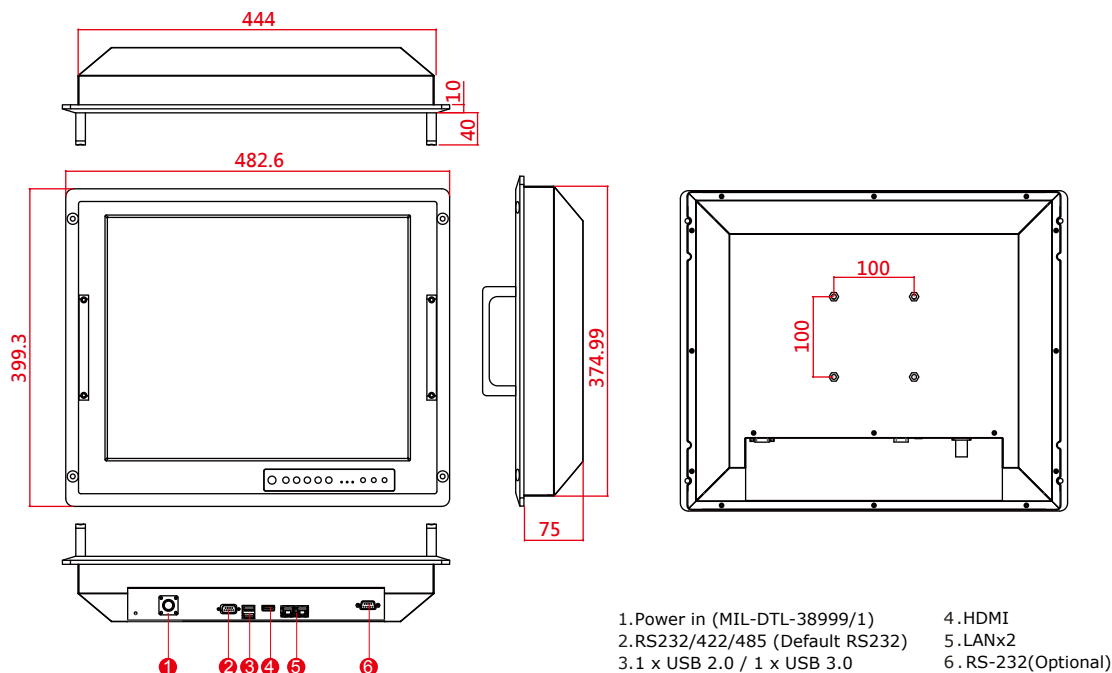
Vibration	MIL-STD-810F/G Method 514.5
Humidity	MIL-STD-810F/G Method 507.4
Transit Drop	MIL-STD-810F/G Method 516.5

Accessories

Standard Accessories

1 x Military Power cord

Drawing



Backplane
Systems
Technology

Backplane Systems
Technology Pty Ltd

TEL 02 9457 6400
sales@backplane.com.au
www.backplane.com.au

Proudly Australian-Owned Since 1989

Revised Date: 27-Feb-2019 V1.1