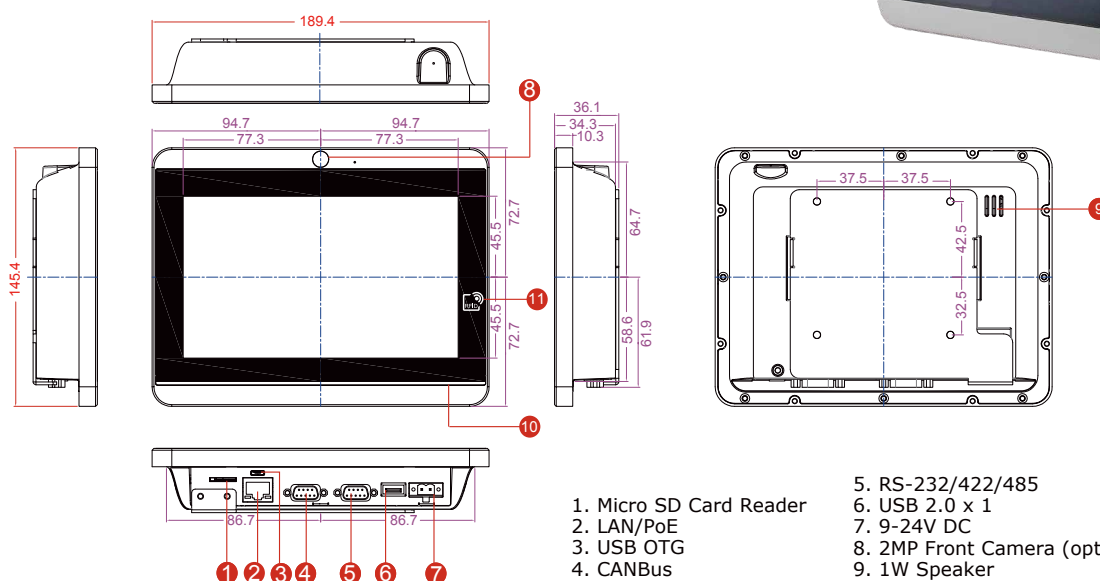




7" S-Series HMI - W07FA3S-PC01AC-PoE

Features

- 7" 1024 x 600 Resolution with Projected Capacitive Multi-Touch (P-CAP)
- Fanless cooling system and ultra-low power consumption
- Built-in RGB LED Light Bar Indicator
- Support PoE
- Optional 2MP Front Camera
- Optional HF RFID Reader
- Stylish design for room booking, access control and room information applications



- 1. Micro SD Card Reader
- 2. LAN/PoE
- 3. USB OTG
- 4. CANBus
- 5. RS-232/422/485
- 6. USB 2.0 x 1
- 7. 9-24V DC
- 8. 2MP Front Camera (optional)
- 9. 1W Speaker
- 10. RGB LED Light Bar
- 11. HF RFID Reader (optional)

Specifications

System	
Processor	: Freescale Cortex A9 i.MX6 Dual Core 1GHz (Optional Quad Core)
System Memory	: 1GB LPDDR3 (Optional 2GB LPDDR3)
Storage	: 16 GB eMMC (default), Micro SD card

Input / Output	
Serial Ports	: 1 x RS-232/422/485
USB Ports	: 1 x USB 2.0 host, 1 x USB OTG
SD Card Slot	: 1 x Micro SD Card Slot
Ethernet	: 1 x RJ 45-10/100/1000 Mbps LAN support PoE function
Speaker	: 1 x 1 Watt Speaker
CANBus	: 1 x CANBus

Environment	
Operating Temperature	: 0 °C to 50 °C
Operating Humidity	: 10% to 90% (non-condensing)
IP Rating	: Front: IP65 water and dust proof Full: IP22

Software Support	
Programming Guide	: Android 6.0 (Default) Linux Kernel 4.1.15, QT5.5 (Optional) Ubuntu 16.04 (Optional)

Display	
Size/Type	: 7" TFT (Widescreen)
Resolution	: 1024 x 600
Brightness	: 1000 cd/m (typ.)
Contrast Ratio	: 500:1 (typ.)
Viewing Angle	: -75~75(H); -75~70(V)
Max Colors	: 16.7M
Touch	: Projected Capacitive Multi-Touch (P-CAP)

Mechanical Specification	
Cooling System	: Fanless design
Mounting	: VESA Mount (75x75mm), Panel Mount
Dimensions(W x H xD)	: 189.4 x 145.4 x 36.1 (mm)
Cutout Dimensions (W x D)	: 131.4 x 175.4 (mm)

Power Considerations	
Power Input	: 9-24V DC
Power Over Ethernet	: Power Device (PD) follows IEEE 802.3at (25 W), IEEE 802.3af (15 W)
Power Consumption	: 10W

Peripheral (Optional):	
RFID	: HF RFID Reader 13.56 MHz
Front Camera	: 2MP Front Camera