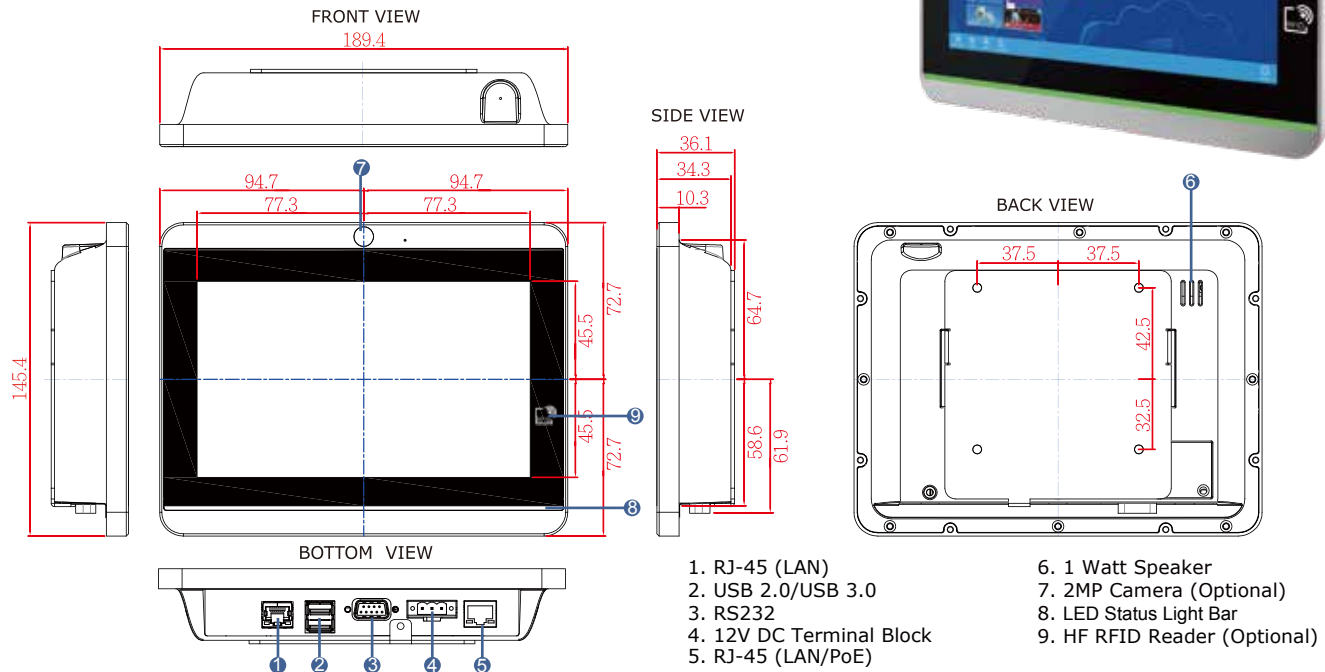


# 7" S-Series HMI - W07IB3S-PC01AC-PoE

## Features

- 7" 1024x600 resolution, Projected Capacitive Multi-Touch (P-CAP)
- Fanless cooling system and ultra-low power consumption
- Dual Gigabit Ethernet
- RGB LED Light Bar
- Front IP65 and full IP22 ratings
- Optional 2MP Front Camera
- Optional HF RFID Reader
- Support PoE function
- Stylish design for room booking, access control and room information applications



## Specifications

### System

- Processor : Intel® Celeron® Bay Trail-M N2930 1.83GHz
- System Chipset : Intel® ATOM SoC Integrated
- System Memory : 2GB DDR3L 1066/1333 SO-DIMM (optional 4 GB)
- Storage : 64GB M.2 SSD
- LAN : Dual Intel® I210-AT GbE LAN

### Input / Output

- Serial Port : 1 x RS-232/422/485
- USB Port : 1 x USB 3.0, 1 x USB 2.0
- Ethernet : 1 x RJ-45-10/100/1000 Mbps, 1 x RJ-45(PoE)
- Speaker : 1 x 1 watt speaker
- Indicator : Built-in RGB LED Light Bar

### Environment

- Operating Temperature : 0 °C to 50 °C
- Operating Humidity : 10% to 90% (non-condensing)
- IP Rating : Front: IP65 water and dust proof  
Full: IP22

### Software Support

- Watchdog SDK
- LED light bar porting guide

### Power Considerations

- Power Input : 12V DC
- Power Over Ethernet : Power Device (PD) follows IEEE 802.3at (25 W)
- Power Consumption : 15W

### Display

- Size/Type : 7" TFT (widescreen)
- Resolution : 1024 x 600
- Brightness : 1000 cd/m (typ.)
- Contrast Ratio : 700:1 (typ.)
- Viewing Angle : -75~75 (H); -75~70(V)
- Max Colors : 16.7M
- Touch : Projected Capacitive Multi-Touch (P-CAP)

### Mechanical Specification

- Cooling System : Fanless design
- Mounting : VESA Mount (75x75mm), Panel Mount
- Dimensions (W x H x D) : 189.4 x 145.4 x 36.1 (mm)

### Operating System

- Windows 10 IoT Enterprise
  - Windows Embedded 8.1 Industry Pro
  - Windows Embedded Standard 7 – WS7P
- \*Windows 8 and above requires 1024 x 768 resolution to operate Metro UI

### Peripheral :

- HF RFID Reader : HF RFID Reader 13.56 MHz (Optional)
- Front Camera : 2 MP Front Camera (Optional)
- LED Light Bar : RGB LED Status Light Bar

### Software :

Utility : "HotTab"



Backplane  
Systems  
Technology

Backplane Systems  
Technology Pty Ltd

TEL 02 9457 6400  
sales@backplane.com.au  
www.backplane.com.au

Proudly Australian-Owned Since 1989

