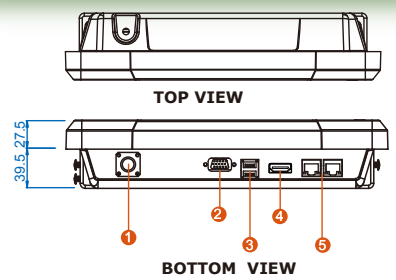
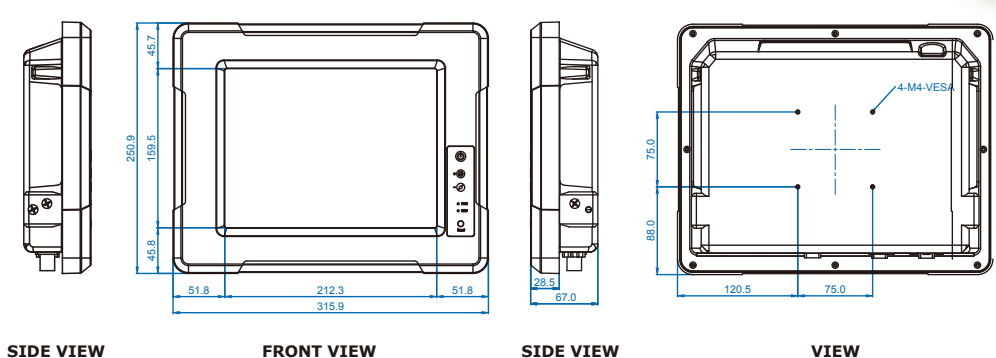


# G-WIN<sup>®</sup> Military Panel PC

ruggedized

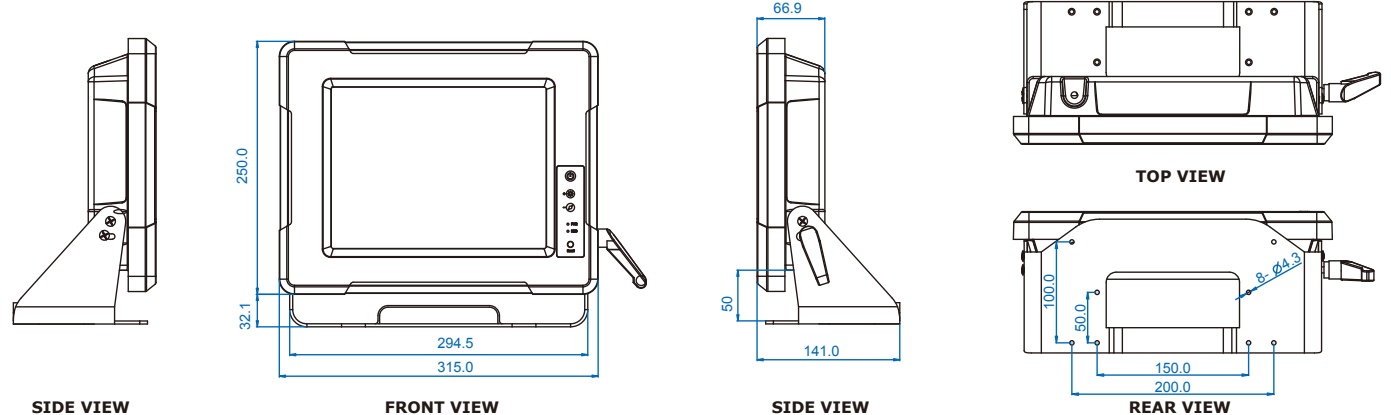
Model Number : R10IB3S-MLT2



1. Military Grade Lockable Power Connector
2. RS232/422/485
3. 1xUSB 3.0, 1xUSB 2.0
4. HDMI
5. 2xRJ45

SIDE VIEW      FRONT VIEW      SIDE VIEW      VIEW

Drawingw / Mounting Bracket



SIDE VIEW      FRONT VIEW      SIDE VIEW      REAR VIEW

Measurements shown in mm / All Dimensions are ± 0.5 mm

\* Note: this is a simplified drawing and some components are not marked in detail. Please contact our sales representative if you need further product information.

## System Specification

- Processor : Intel® Bay Trail N2930 1.83GHz
- Chipset : Bay Trail SoC Chipset
- BIOS : AMI 16Mbit Flash
- Memory : 1xDDR3L 1066 / 1333 MHz SO-DIMM default 4GB, Max. 8GB
- Ethernet : Intel® I210-AT GbE LAN
- Audio : Realtek HD Audio Codec
- Storage : mSATA SSD, default 64GB
- Expansion Slot : 1 x Mini PCIe slot (for wireless module)  
1 x Mini PCIe slot (for SATA SSD)

## Mechanical and Environment

- Dimensions (W x L x H) : 315 mm x 250 mm x 67mm
- Power Input : 12V DC / MIL-grade connector
- Power Consumption : 35W typ.
- Operating Temperature : -20°C ~ 60°C; -40°C~70°C (optional)
- Storage Temperature : -20°C~70°C
- Operating Humidity : 10% to 95% (non condensing)
- Mounting : VESA mount, Vehicle mount
- Shock : Operating:30g for 18ms, 300m/s<sup>2</sup>
- Vibration : Operating: 1.60/1.96/2.18 g rms for XYZ / 5-500Hz

## I/O Connectors

- I/O Port : Military Grade Lockable Power Connector  
1x RS232/422/485  
1x USB 2.0, 1x USB 3.0  
1x HDMI (Optional)  
WLAN antenna SMA in top(Optional)
- Back Panel : 2 x RJ-45(10/100/100 Mbps)

## Certifications

CE/FCC Class B

## Product Optional Items

Mounting Bracket and Kits	One robust bracket with locking handle (Can adjust from -5deg. to 90deg.)
Operation System	Windows Embedded Standard 7 /
Storage	Windows Embedded 8.1 Industrial /Windows 10 IoT Enterprise mSATA SSD up to 256GB
Glass / Touch	3mm Anti-reflective Protection Glass
WLAN	Resistive Touch Screen IEEE802.11 b/g/n for optional
Wide Power Input Range	9V to 36V wide range acceptable for optional

## In Font Control

- Control Button : Power On/ Off  
Reset  
Brightness Up  
Brightness Down
- LED indicator : Power On/ Off  
HDD Status

## Display Specification

- Size : 10.4 TFT
- Resolution : 1024 x 768 pixels
- Brightness : 350 cd/m<sup>3</sup> (typ)
- Contrast Ratio : 1200 : 1 (typ)
- Viewing Angle : -88~88(H);-88~88(V)
- Max. Colors : 16.2M

## Environmental(MIL-STD 461E/F Compliance)

- RE : RE 101 / RE 102
- CE : CE 101 / CE 102
- Optional with EMI Glass / Touch
- RS : RS101 / RS103
- CS : CS 101 / CS 106 / CS 109 / CS 114  
CS 115 / CS 116