

R10IP8M-RTT2ML, 10.4-inch Ultra Rugged Tablet

Military-Grade Tablet Ready for Challenging Tasks and Tough Environments

The R10IP8M-RTT2ML is an 10.4-inch ultra-rugged tablet with a robust set of features designed to handle the toughest tasks while providing high tech solutions that increase productivity, improve safety, and reduce operational costs. The processing power comes from Intel® Pentium® N4200 Apollo Lake processor in a magnesium aluminum housing with protective rubber for military standard ruggedness. The R10IP8M-RTT2ML is a no-nonsense, field ready ultra-rugged tablet that can act as a powerful workstation in an easy to use package.



Highlights

- Intel® Pentium® N4200 Apollo Lake processor
- 10.4" 1024 x 768 Resolution Transflective TFT-LCD Panel.
- With daylight-readable screen 700 nits optical bonding for clarity increasing and readability enhancing
- Ecological seals protect ports as well as connectors from moisture and dust
- Adjustable Kickstand that is Convertible to a handle
- Magnesium Alloy Housing with All-Around Elastomeric Rubber
- MIL-STD-38999 connector for LAN/USB2.0, RS232/RS422 and Power Input



Backplane
Systems
Technology

Backplane Systems
Technology Pty Ltd

TEL 02 9457 6400
sales@backplane.com.au
www.backplane.com.au

Proudly Australian-Owned Since 1989

R10IP8M-RTT2ML, 10.4-inch Ultra Rugged Tablet

Military-Grade Tablet Ready for Challenging Tasks and Tough Environments

Display Specification

Resolution	1024 x 768
Contrast Ratio	1000:1
Panel Brightness	700 nit
Viewing Angle	88/88/88/88
Touch	Resistive Touch

System Specification

CPU	Intel® Pentium® N4200 Apollo Lake 1.1GHz (up to 2.5GHz)
System Chipset	Intel SOC
System Memory	4GB SODIMM DDR3L-1866 (Max 8GB)
Storage	64GB M.2 SSD (Max 512GB)
Operating System	Windows 10 IoT Enterprise 64bit

Interface

USB	2 x USB 3.0
Memory Card Slot	1 x Micro SD Card Slot
SIM card slot	1 x Micro SIM Card Slot
MIL-STD-38999 connector	1 x DC input 1 x LAN/USB2.0 1 x RS232/RS422

Audio

Speaker	2 x 1 Watt Speaker
---------	--------------------

Cameras (Optional)

Front Camera	2MP
Rear Camera	5MP with autofocus

Wireless Communications

WWAN	Optional 4G/ LTE or 3G
WLAN	802.11 a/b/g/n/ac
Bluetooth	Bluetooth
GPS	u-Blox Neo-M8N, supports GPS (Optional GLONASS, Galileo, BeiDou)

Keyboard and Input

Physical Buttons	1 x Power, 1 x Menu, 3 x Function Key, 2 x Brightness Control Key
LED Indicators	Power, Battery, HDD, RF
Touch	Resistive Touch

Mechanical and Environment

Dimensions	266 x 222 x 50.5 mm
Weight	2.39 kg
Housing	Plastic front cover and Alu-Mg Alloy rear cover with Protective Rubber
Operating Temperature	-20°C to 60°C (AC Mode), -10°C to 50°C (Battery Mode)
Storage Temperature	-30°C to 70°C
Operating Humidity	10 to 90% RH, non-condensing
Shock	MIL-STD-810G Method 516.6 Procedure I
Vibration	MIL-STD-810G Method 514.6 Procedure I
Drop	MIL-STD-810G Method 516.6, 4ft to concrete
IP Rating	Default IP54

Power Management

Power Input	9-36V DC in
Battery	11.1V, 5200mAh Lithium-Ion Battery (6cells)
Battery Operating Time	8 hours ¹
Power Consumption	15W

Security Function

Security	Trusted platform module (TPM) V2.0
----------	------------------------------------

Standards and Certification

EMC	FCC
Safety	CE

Accessories

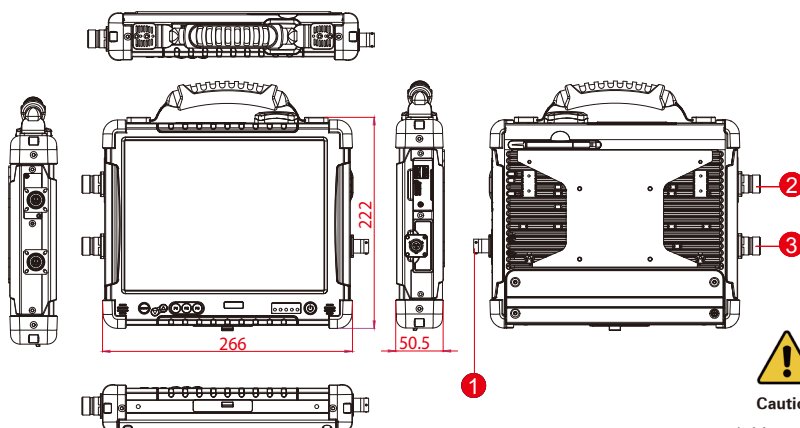
Standard Accessories

Adapter and Power Cord
Standard Battery
Quick Start Guide
Manual & Driver CD
Touch Stylus
MIL-STD-38999 cable for External connecting

Optional Accessories

Adjustable Kickstand
Multi-functional Desktop Docking station
Vehicle Mounting Charger Kit
Car Power Charger
Hand Strap
Shoulder Strap
Soft Shell Case
Carry Bag

Drawing²



- 1 DC 9-36V Input
- 2 LAN/USB 2.0
- 3 RS232/422

*MIL-STD-38999 connector for LAN/USB2.0, RS232/RS422 and DC Power Input.



Caution

Do Not Expose the Battery Pack to Excessive Heat, or Extreme Heat (Near Fire, in Direct Sunlight for example)
Do not expose bare skin to this product when handling this unit in extreme hot or cold environments

1. Measured at dimming LCD brightness. Varies depending on the usage conditions, or when an external device is attached.
2. This is a simplified drawing and some components are not marked in detail.



Backplane
Systems
Technology

Backplane Systems
Technology Pty Ltd

TEL 02 9457 6400
sales@backplane.com.au
www.backplane.com.au

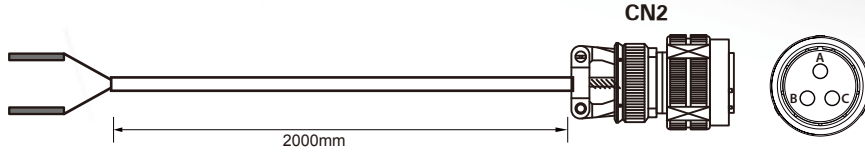
Proudly Australian-Owned Since 1989

R10IP8M-RTT2ML, 10.4-inch Ultra Rugged Tablet

Military-Grade Tablet Ready for Challenging Tasks and Tough Environments

Pin Definition

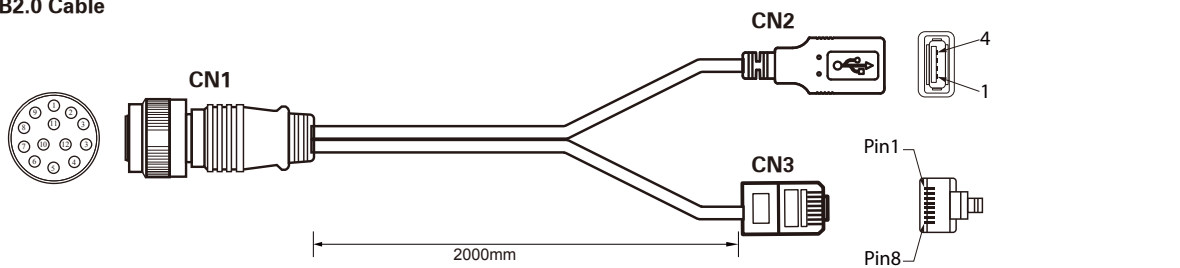
Power Cable



Pin No	Symbols	Color
OPEN	VCC	White
OPEN	GND	Black

Pin No	Symbols	Color
CN2-A	VCC	White
CN2-B	GND	Black

LAN/USB2.0 Cable

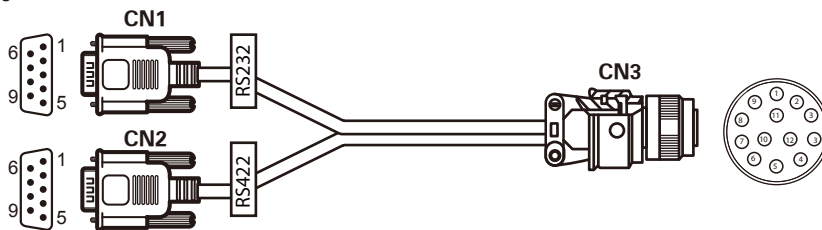


Pin No	Symbols	Color
CN1-1	USB_5V	Red
CN1-2	USB_GND	Black
CN1-3	USB_D-	White
CN1-4	USB_D+	Green
CN1-5	DA+	Orange/White
CN1-6	DA-	Orange
CN1-7	DB+	Green/White
CN1-8	DC+	Blue
CN1-9	DC-	Blue/White
CN1-10	DB-	Green
CN1-11	DD+	Brown/White
CN1-12	DD-	Brown
CN1-13	NC	

Pin No	Symbols	Color
CN2-1	USB_5V	Red
CN2-4	USB_GND	Black
CN2-2	USB_D-	White
CN2-3	USB_D+	Green
CN3-1	DA+	Orange/White
CN3-2	DA-	Orange
CN3-3	DB+	Green/White
CN3-4	DC+	Blue
CN3-5	DC-	Blue/White
CN3-6	DB-	Green
CN3-7	DD+	Brown/White
CN3-8	DD-	Brown

Twist
Twist
Twist
Twist

RS232/RS422 Cable



Pin No	Symbols	Color
CN1-9	RS232_RI	No assignment
CN1-1	RS232_DCD	No assignment
CN1-2	RS232_RXD	No assignment
CN1-3	RS232_TXD	No assignment
CN1-5	GND	No assignment
CN1-4	RS232_DTR	No assignment
CN1-6	RS232_DSR	No assignment
CN1-7	RS232_RTS	No assignment
CN1-8	RS232_CTS	No assignment
CN2-1	RS422_TX2-	No assignment
CN2-2	RS422_TX2+	No assignment
CN2-3	RS422_RX2+	No assignment
CN2-4	RS422_RX2-	No assignment
CN2-5	GND	No assignment

Pin No	Symbols	Color
CN3-1	RS232_RI	No assignment
CN3-2	RS232_DCD	No assignment
CN3-3	RS232_RXD	No assignment
CN3-4	RS232_TXD	No assignment
CN3-5	GND	No assignment
CN3-6	RS232_DTR	No assignment
CN3-7	RS232_DSR	No assignment
CN3-8	RS232_RTS	No assignment
CN3-9	RS232_CTS	No assignment
CN3-10	RS422_TX2-	No assignment
CN3-11	RS422_TX2+	No assignment
CN3-12	RS422_RX2+	No assignment
CN3-13	RS422_RX2-	No assignment
CN3-5	GND	No assignment



Backplane
Systems
Technology

Backplane Systems
Technology Pty Ltd

TEL 02 9457 6400
sales@backplane.com.au
www.backplane.com.au

Proudly Australian-Owned Since 1989

Release Date: 09-Apr-2020 V1.4