

E430RQ8

4.3" Rugged Mobile Handheld

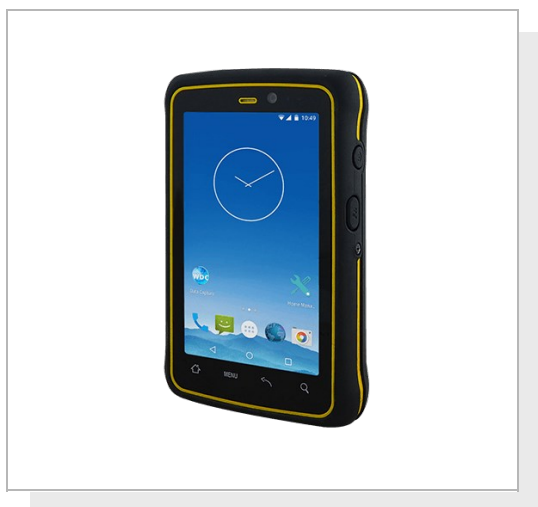


Backplane
Systems
Technology

Backplane Systems
Technology Pty Ltd

TEL 02 9457 6400
sales@backplane.com.au
www.backplane.com.au

Proudly Australian-Owned Since 1989



KEY FEATURES

- 4.3" 800 x 480 Panel with direct optical bonding
- IP65 waterproof and dustproof
- Optional 1D/2D Barcode Reader for data collection
- Qualcomm® Snapdragon™ 660 (Octa-core 2.2 GHz)
- Supports Android 9.0



SPECIFICATIONS

Display			
Resolution	800x480	Size	4.3 inches
Contrast Ratio	800:1	Panel Brightness	400 nits
View Angles	80,80,80,80	Type	Projected Capacitive Multi Touch
System Specification			
Processor	Qualcomm® Snapdragon™ 660 (Octa-Core 2.2 GHz)	Memory	3GB
Storage	32GB	Operating System	Android 9.0
WLAN	802.11 a/b/g/n/ac mode	BT	Support
RFID	Default NFC (Read / Write, Peer to Peer mode)	Sensors	Ambient Light Sensor, E-Compass, Gyro, Acceleration Sensors, Automatic Screen Rotation
Camera			
Front Camera	8MP Camera	Rear Camera	13MP Camera with LED Auxiliary Light (Auto Focus)
Mechanical			
Dimension	132.57 x 81.87 x 27.4 mm	Weight	260g
IO Ports			
USB Port	1 x USB 3.0 Type C (OTG)	SD Card Slot	1 x Micro SD Card Slot
Audio	1 x Built-in Mic 1 x Speaker	Indicator	1 x LED Indicators (Power, Battery)
Docking Connector	1 x Docking Connector		
Environment			
Operating Humidity	5% to 95% RH, Non-Condensing	Operating Temperature	-10°C to 50°C (Battery mode)
Storage Temperature	-30°C to 70°C	Shock	MIL-STD-810G Method 516.6 Procedure I
Vibration	MIL-STD-810G Method 514.6 Procedure I	IP rating	IP65 Certified, Waterproof and Dustproof
Drop	MIL-STD-810G Method 516.6, 5 ft		
Certification			
Certification	CE, FCC		
Control			
Button	1 x Volume +/- , 1 x Power Button, 1 x Function		

Button, 4 Capacitive Button (1 x Home, 1 x Menu, 1 x Esc, 1 x Search)

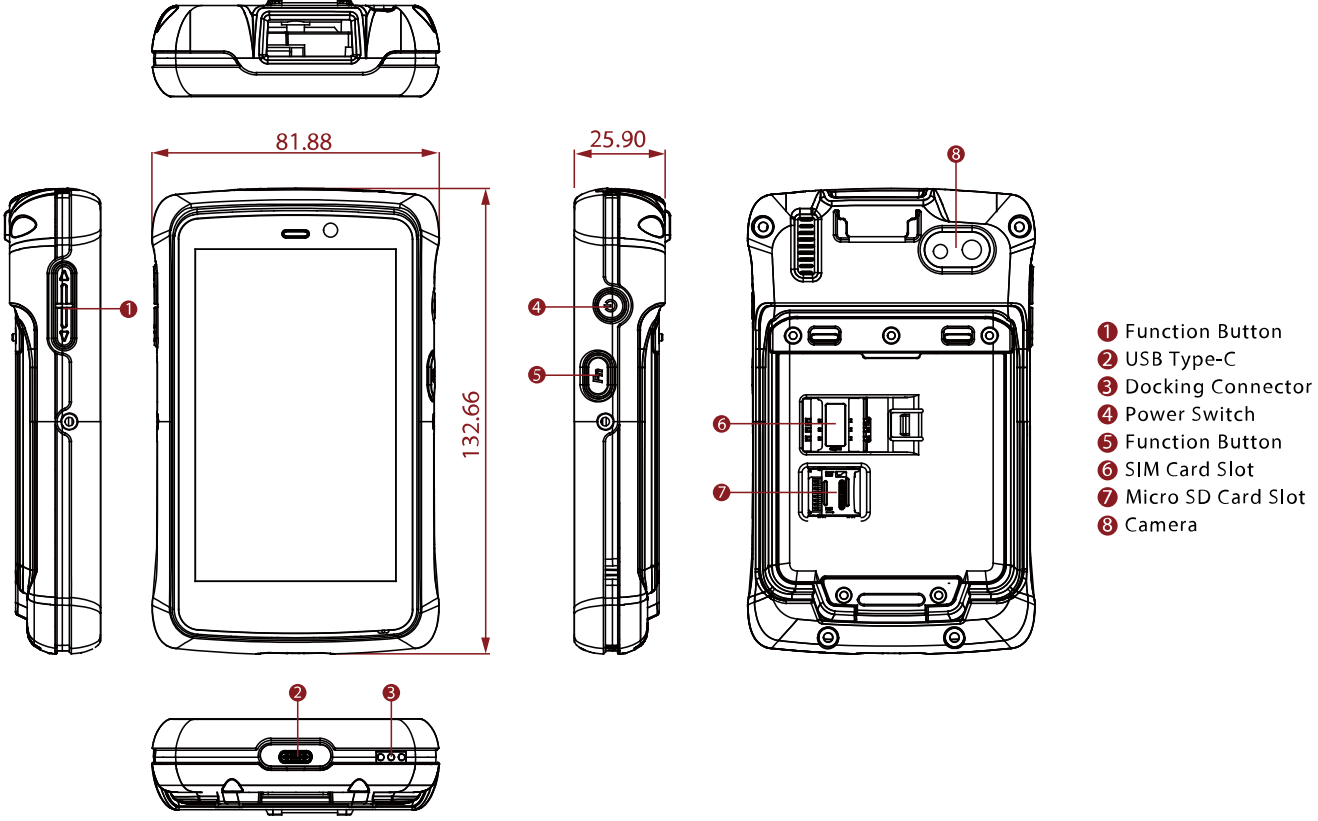
Power			
Battery	3.7V 3900mAh	Battery Operating Time	20Hr
Power Rating	5V 1A	Adapter	5V DC(USB Type-C)

Security Function	
SOTI MobiControl	Compliance

Accessory		
Accessory	Universal Adapter USB Type-C Cable Battery Hand Strap	Optional Accessory Charging Dock 2 bay Charging Dock 6 bay Battery Charging Dock 2 bay Battery Charging Dock 6 bay Vehicle Charging Dock Battery Leather Holster Lanyard Micro SD Card

Barcode Scanner	
Barcode Scanner	Optional 1D/2D Barcode Reader

DIMENSIONS UNIT:MM



- 1 Function Button
- 2 USB Type-C
- 3 Docking Connector
- 4 Power Switch
- 5 Function Button
- 6 SIM Card Slot
- 7 Micro SD Card Slot
- 8 Camera



Backplane Systems
Technology Pty Ltd

Backplane Systems
Technology

TEL 02 9457 6400
sales@backplane.com.au
www.backplane.com.au

Proudly Australian-Owned Since 1989