

# 15" P-Cap Chassis Display - R15L600-PCC3(HB)



Backplane  
Systems  
Technology

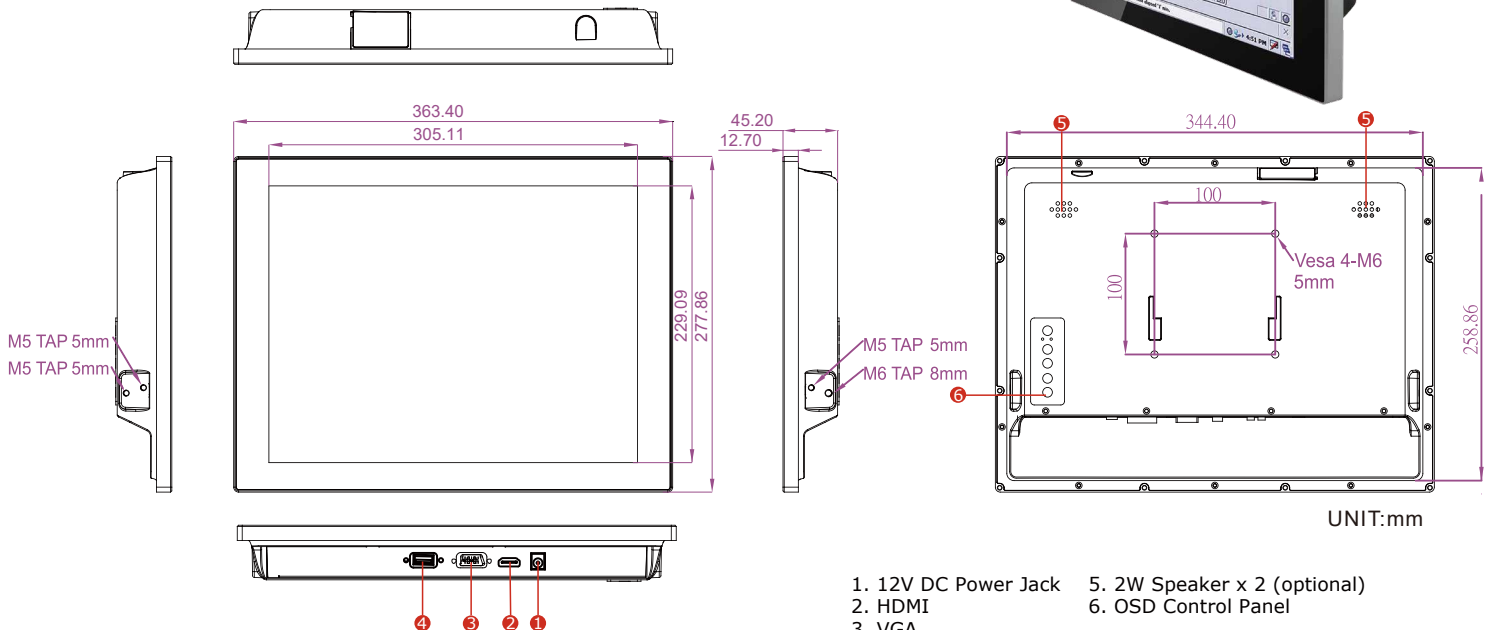
Backplane Systems  
Technology Pty Ltd

TEL 02 9457 6400  
sales@backplane.com.au  
www.backplane.com.au

Proudly Australian-Owned Since 1989

## Features

- 15" 1024 x 768 Resolution
- Optional High Brightness 1000 nit display
- Projected Capacitive Multi-Touch (P-Cap)
- Front IP65 Water and Dust Proof
- VGA input and variety of optional connectors
- USB port for touch
- Stylish and elegant design



\* Note: this is a simplified drawing and some components are not marked in detail. Please contact our sales representative if you need further product information.

## Specifications

### Display Spec :

- Size/Type : 15" TFT
- Resolutions : 1024x768
- Brightness : 300cd/m<sup>2</sup> (typ.)
- optional High brightness 1000 cd/m<sup>2</sup>
- Contrast Ratio : 2000 : 1 (typ.)
- Viewing Angle : -88~88(H);-88~88(V)
- Max Colors : 16.2M
- Touch screen : Projected-Capacitive Touch  
Optional anti-glare coating

### Power Specification :

- Power Input : 12V DC, with External AC to DC Adapter (100~240V AC)
- Power Consumption : 25 W typical, normal operation

### Environment Considerations :

- Operating Temperature : -10 °C to 55 °C
- Operating Humidity : 10% to 95% (non-condensing)
- IP Rating : Front IP65

### Input Specifications :

- Input Ports : 1 x VGA  
1 x HDMI (Optional)  
1 x 12V DC Power Jack
- USB Port (Touch) : 1 x USB 2.0
- Speaker (Optional) : 2 x 1 Watt speaker

### Mechanical Specification :

- Mounting : VESA Mount (100x100mm)
- Dimensions (W x H x D) : 363.40 x 277.86 x 45.20 (mm)

### Accessories

- Accessories : Power AC-DC Adapter(100V~240V)  
: VGA cable (1.8m)  
: HDMI cable (2m)  
: USB cable (1.8m)

