

21.5" GC65 Display (Standard I/O) - W22L100-GCA3



Backplane
Systems
Technology

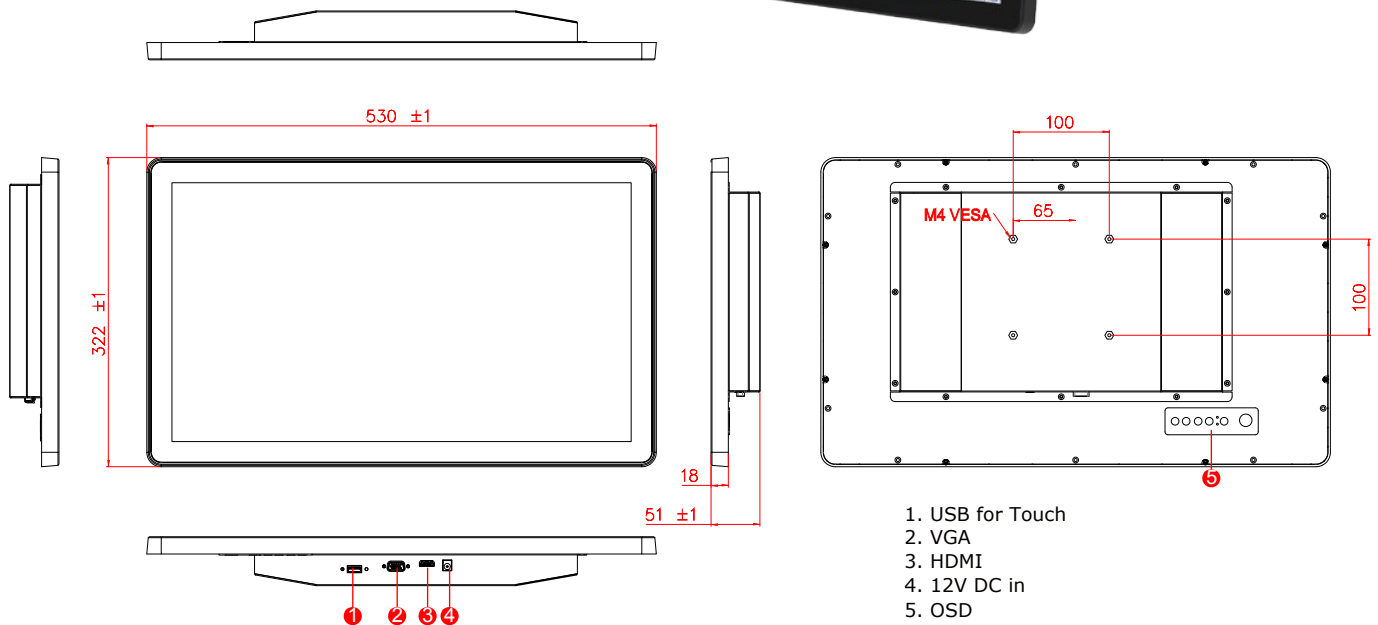
Backplane Systems
Technology Pty Ltd

TEL 02 9457 6400
sales@backplane.com.au
www.backplane.com.au

Proudly Australian-Owned Since 1989

Features

- 21.5" 1920 x 1080 Resolution
- VGA input and HDMI input
- Projected Capacitive Multi-Touch
- Front IP65 for protection against water and dust



Specifications

Display Spec :

- Size/Type : 21.5" TFT
- Resolutions : 1920x1080
- Brightness : 250cd/m² (typ.)
- Contrast Ratio : 3000 : 1 (typ.)
- Viewing Angle : -89~89(H); -89~89(V)
- Max Colors : 16.7M
- Touch : Projective Capacitive Touch

Power Specification :

- Power Input : 12V DC 2.5mm, with External AC to DC Adapter comply with Level V1 efficiency standard
- Power Consumption : 20W typical, normal operation

Environment Considerations :

- Operating Temperature : 0 °C to 50 °C
- Operating Humidity : 10% to 90% (non-condensing)
- IP Rating : Front IP65

Input Specifications :

- Input Ports : 1 x VGA
1 x HDMI (Optional)
- OSD Membrane : 5 keys (+, -, power, Esc, Enter)

Mechanical Specification :

- Mounting : VESA Mount (100 x 100 mm); Panel Mount
- Dimensions (W x H x D) : 530 x 322 x 51 (mm)

Product Accessory :

- Accessory : 12V DC in Adapter
HDMI cable (Optional)
VGA cable
USB cable for touch



Note: All Specifications are subject to change without prior notice!



Revised date: 14-Apr-2020 V1.4