



Rear I/O

Specifications

System Mainboard	SL100
CPU Type	Intel® Atom® QC x6413E (1.5GHz/3.0GHz, 1.5MB cache, 9W TDP) Intel® Atom® DC x6211E (1.2GHz/3.0GHz, 1.5MB cache, 6W TDP)
System Speed	Up to 3.0GHz
Memory	1x 4GB DDR4-3200 SO-DIMM, Max. 16GB
Rear Panel External I/O	1x DVI-I + 1x HDMI 2x USB 3.1 ports, 2x USB 2.0 port 3x RJ45 Gigabit Ethernet port 4x LED indicators (GPIO, WLAN, WWAN) 1x power button with Green LED 1x 3-pin DC-in terminal block for 9V-36V 2x Antenna hole for WLAN module 2x RS232/422/485 ports for COM#3/COM#4 1x 4-in & 4-out GPIO with isolation, 1x Micro SD
Left Panel External I/O	2x RS232/422/485 ports for COM#1/COM#2 1x Antenna hole for WLAN module 1x Line-out/ Mic-in
Right Panel External I/O	2x SIM card slot 1x Antenna hole for WLAN module
Expansion Slots	1x Full-size Mini PCI-E socket (USB 2.0) 2x Full-size Mini PCI-E socket (USB 2.0 + PCI-E) 1x 3042/2242 M.2 B-Key socket (USB 2.0 + PCI-E+SATA)
Storage	1x 3042/2242 M.2 B-Key socket, 1x 2.5" SSD (Optional)
Construction	Aluminum & steel
Chassis Color	Silver & Gray
Mounting	DIN-rail mounting (DIN-rail mount kit included) Desktop or wall mounting (wall mount kit included)
Dimensions	218mm(W) x 110mm(D) x 57mm(H) w/ Wall mount kit 8.58"(W) x 4.33"(D) x 2.24"(H)
Weight	TBD
Operating Temperature	-20°C~70°C (-4°F~158°F)
Storage Temperature	-40°C ~ 85°C (-40°F~185°F)
Relative Humidity	5~90% @ 60°C, (non-condensing)
Vibration	Operating: 1.0 grms / 5~500Hz
Shock	Operating: 30G/11 ms Duration Non-operating: 40G/11 ms Duration
Certification	Prescan

Features

- Intel® Atom® x6413E/x6211E Processors
- GPIO 4-in/4-out & 1x DVI-I & 1x HDMI
- Over/Under/Reverse voltage protection
- Extended operating temperature from -20°C to 70°C
- 9V~36V DC wide-range power input
- 1x 3042/2242 M.2 B-Key, 1x Micro SD, optional 1x 2.5" SSD
- 3x Gigabit Ethernet, 3x full-size Mini PCI-E sockets & 2x SIM card slots
- 4x COM (RS232/422/485), 2x USB 3.1 & 2x USB 2.0
- Supports DIN-rail mount, wall mount & TPM 2.0

Ordering Information

AGS103T-6413M	Fanless DIN-rail System supports TPM2.0 w/ Intel® Atom® Processor x6413E, 3x Gigabit Ethernet, 4x COM, w/o memory, storage, power adaptor
AGS103TS-6413M	Fanless DIN-rail System supports TPM2.0 w/ Intel® Atom® Processor x6413E, 3x Gigabit Ethernet, 4x COM, w/o memory, storage, power adaptor, w/ 2.5" storage slot
AGS103T-6211M	Fanless DIN-rail System supports TPM2.0 w/ Intel® Atom® Processor x6211E, 3x Gigabit Ethernet, 4x COM, w/o memory, storage, power adaptor
AGS103TS-6211M	Fanless DIN-rail System supports TPM2.0 w/ Intel® Atom® Processor x6211E, 3x Gigabit Ethernet, 4x COM, w/o memory, storage, power adaptor, w/ 2.5" storage slot



Backplane
Systems
Technology

Backplane Systems
Technology Pty Ltd

TEL 02 9457 6400
sales@backplane.com.au
www.backplane.com.au

Product Appearance

AGS103T



SIM Card Slot

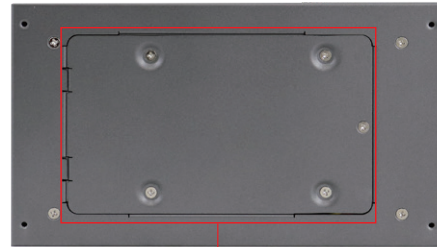
AGS103TS



Additional 2.5" Storage Slot

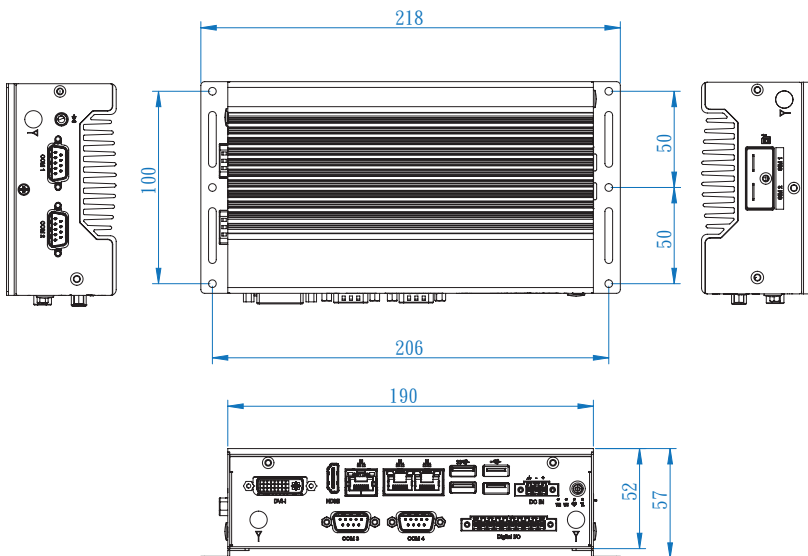


COM1 & COM2



Easily Accessible Storage Device

Dimensions and Drawing



DIN-rail Mounting

