

R21L100-MLM1FP

21.3" PCAP Rack Mount Defence Display



Backplane
Systems
Technology

Backplane Systems
Technology Pty Ltd

TEL 02 9457 6400
sales@backplane.com.au
www.backplane.com.au



KEY FEATURES

- 21.3" 1600x1200 resolution
- PCAP multitouch screen
- Compliant MILSTD 810G/ MILSTD 461E
- Rack mount mechanical design, supports VESA mount
- Militarygrade power connector (MILDTL38999/1)
- AC 100~240V, Universal, $\pm 10\%$; DC 9~36V, $\pm 10\%$ (Optional)
- Convenient onscreen display controls

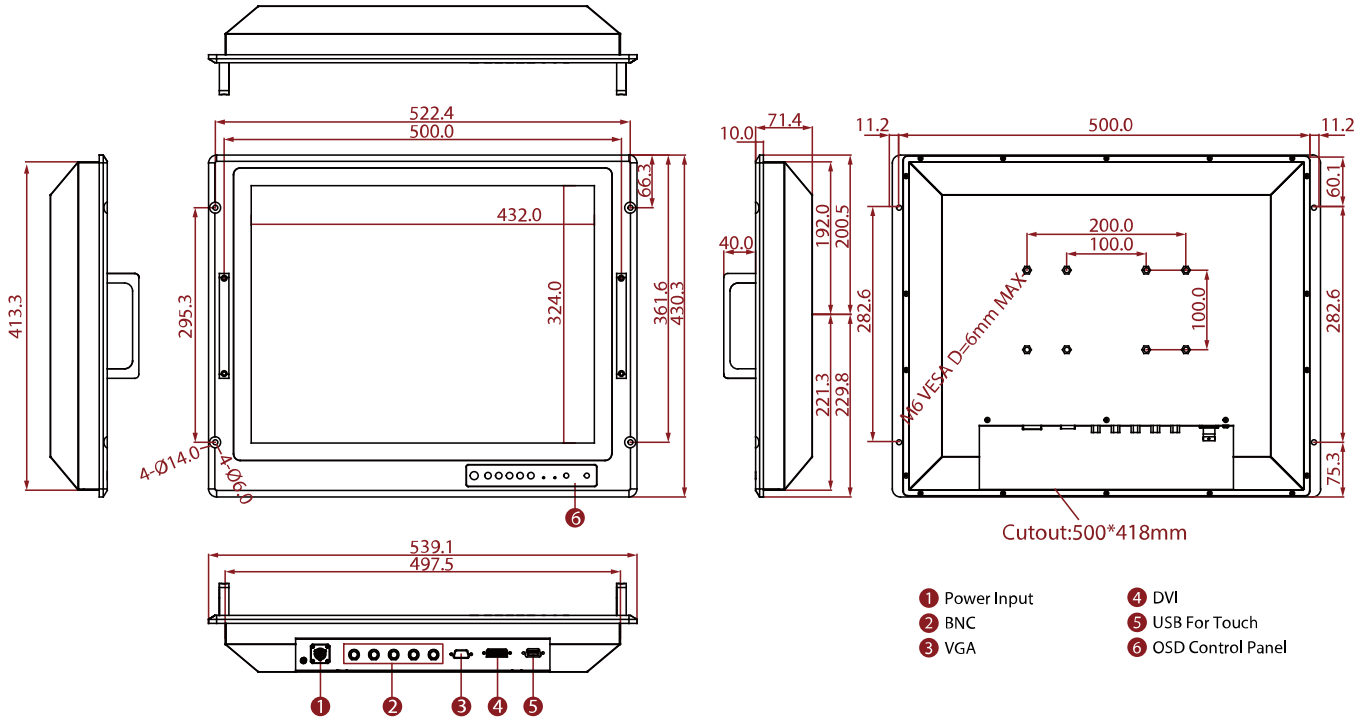


SPECIFICATIONS

Display			
Touch / Glass	Projected Capacitive Multi Touch Screen PCAP with With ITO Flim (Optional)	Resolution	1600x1200
Size	21.3 inches	Contrast Ratio	1800:1
Panel Brightness	1000 nits	Display Color	16.8M Colors
View Angles	89,89,89,89	Active Area	432 x 324 mm
Environment			
Operating Humidity	10% to 95% RH	Operating Temperature	0~50°C
Storage Temperature	-10°C~60°C		
Compliance			
MIL-STD 461E/F	RE101 / RE102 CE101 / CE102 with EMI Glass / Touch(Optional) RS101 / RS 103 CS101 / CS 106 / CS 109 / CS 114 / CS 115 / CS 116	MIL-STD 810F/G	Vibration Method 514.5 Humidity Method 507.4 Transit Drop Method 516.5
Certification			
Certification	CE, FCC		
IO Ports			
USB Port	1 x USB for Touch	Video	1 x VGA 5 x BNC (R,G,B,H,V) 1 x DVI-D
Mechanical			
Dimension	580 x 384 x 71 mm	Mounting	Rack Mount/ VESA Mount
Enclosure	Metal Housing with Aluminum Bezel	Cooling System	Fanless Design
Accessory			
Accessory	1 x User Manual(Hardcopy) 1 x Power Cord MIL-DTL-38999/1 1 x VGA Cable 1 x DVI Cable 1 x VGA to 5 BNC Shielding Cable		

Power	
Power Rating	AC 100~240V, Universal, ±10% DC 9~36V, ±10% (Optional)
Control	
Button	7 key: Power Decrease Increase Exit/ Auto Menu Day/ Night Lock/ Unlock

DIMENSIONS UNIT:MM



NOTE

1. This is a simplified drawing and some components are not marked in detail.
2. If you require an external test report, Winmate will charge an NRE fee.
3. Please contact our sales representative if you need further product information.
4. All specifications are subject to change without prior notice.
5. The product shown in this datasheet is a standard model. For diagrams that contain customized or optional I/O, please contact the Winmate Sales Team for more information.