

### Features

- 8" Open frame design industrial display
- Metal front panel
- OSD at rear side
- VESA mount 75 x 75
- Optional resistive touch panel, (USB interface or RS-232 )
- Default DC 9~36V input
- VGA, DVI, HDMI, and DP input

### Specifications

I/O Port	
VGA	1 x VGA
DVI	1 x DVI-D
DP	1 x DP
HDMI	1 x HDMI
Audio	1 x Audio Line-in phone jack
Power Input	1 x 3 pins terminal block for DC power input
Others	1 x USB type B for touch control 1 x RS-232 DB-9 for touch control (option)
OSD Control	MEMBRANE, OSD on the rear side

Display	
Display Type	8" TFT-LCD
Max. Resolution	800 x 600
Max. Color	16.2M
Luminance (cd/m <sup>2</sup> )	450
View Angle	140(H) / 120(V)
Contrast	500:1
Backlight Lifetime	40,000 hrs

Touch Screen	
Type	Resistive Touch
Interface	USB default RS-232 option
Light Transmission(%)	80%

Power	
Power Input	DC 9~36V
Power Consumption	OPD-1086C(T): 5W(MAX)

Mechanical	
Construction	Steel Chassis
Mounting	Panel mount / VESA mount 75 x 75
Dimensions (WxHxD)	208 x 191 x 42 mm
Net Weight	1.3 kg

Environmental	
Operating Temperature	0~50°C
Storage Temperature	-30~70°C
Humidity	10 to 95% @ 40°C, Non-condensing
Certificate	CE/FCC, Class A

### Dimensions

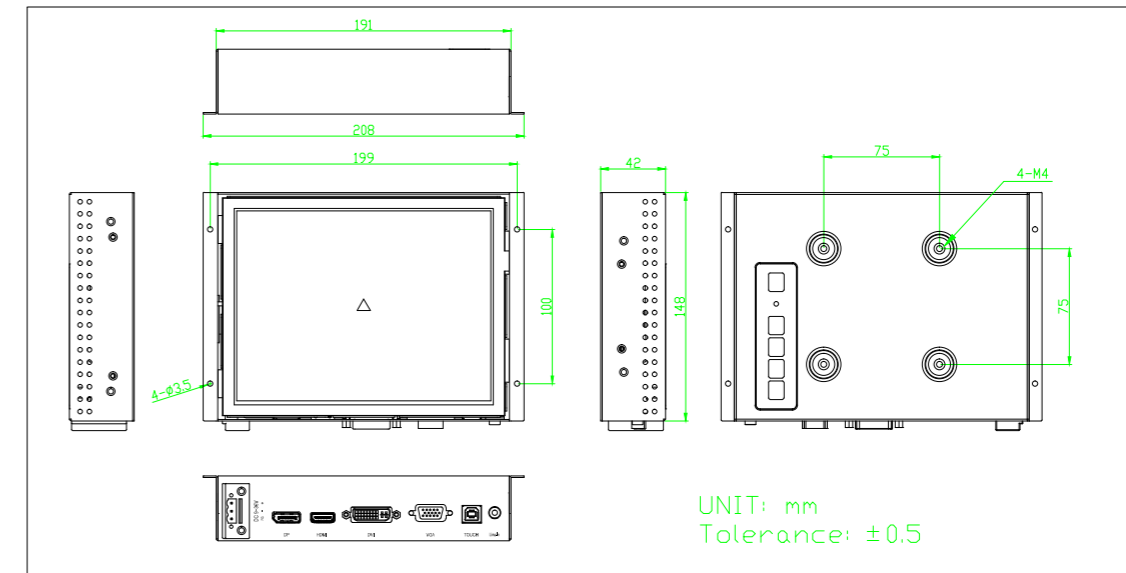


Backplane Systems Technology

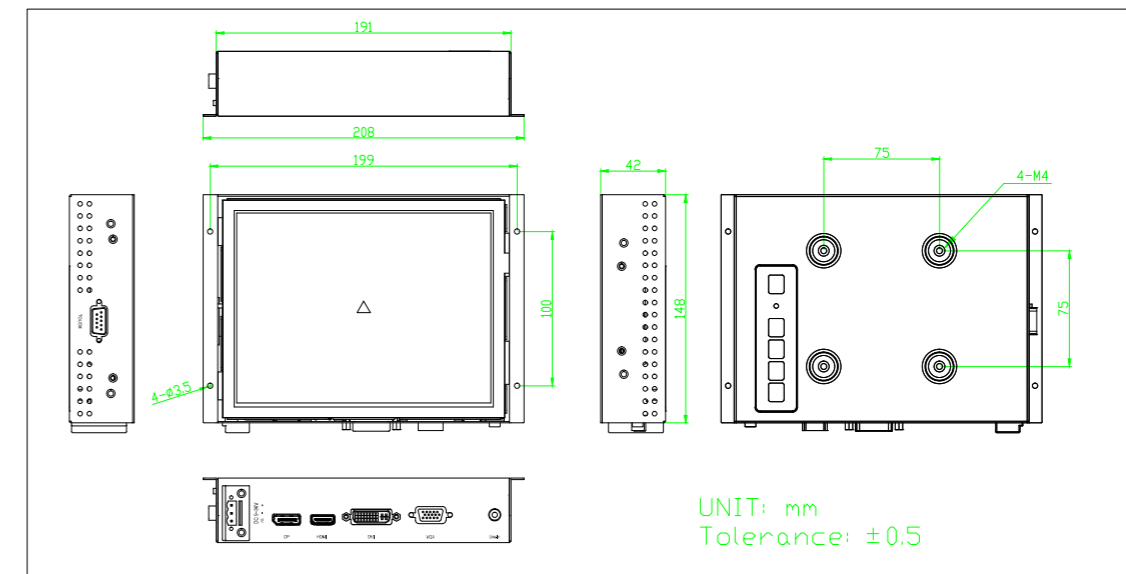
Backplane Systems Technology Pty Ltd

TEL 02 9457 6400  
sales@backplane.com.au  
www.backplane.com.au

#### OPD-1086C USB



#### OPD-1086C RS-232



#### Ordering Information

OPD-1086C	8" 800x600 industrial display, VGA, DVI-D,HDMI,DP input, 5 keys front OSD, DC 9~36V power input, no touch with protective glass, steel chassis.
OPD-1086C(T)	8" 800x600 industrial display, VGA, DVI-D,HDMI,DP input, 5keys front OSD, DC 9~36V power input, 5-wire Resistive Touch, steel chassis.