

M700DM9

7 inch ARM A73 + A53 Rugged android tablet



Backplane
Systems
Technology

Backplane Systems
Technology Pty Ltd

TEL 02 9457 6400
sales@backplane.com.au
www.backplane.com.au



KEY FEATURES

- 7 inch android tablet, 1280 x 720 TFT Panel with direct optical bonding
- IP65 waterproof and dustproof
- 4 GB RAM + 32 GB eMMC
- Rated for extreme temperature use
- Supports Android 11.0 OS, Sunlight readable android tablet

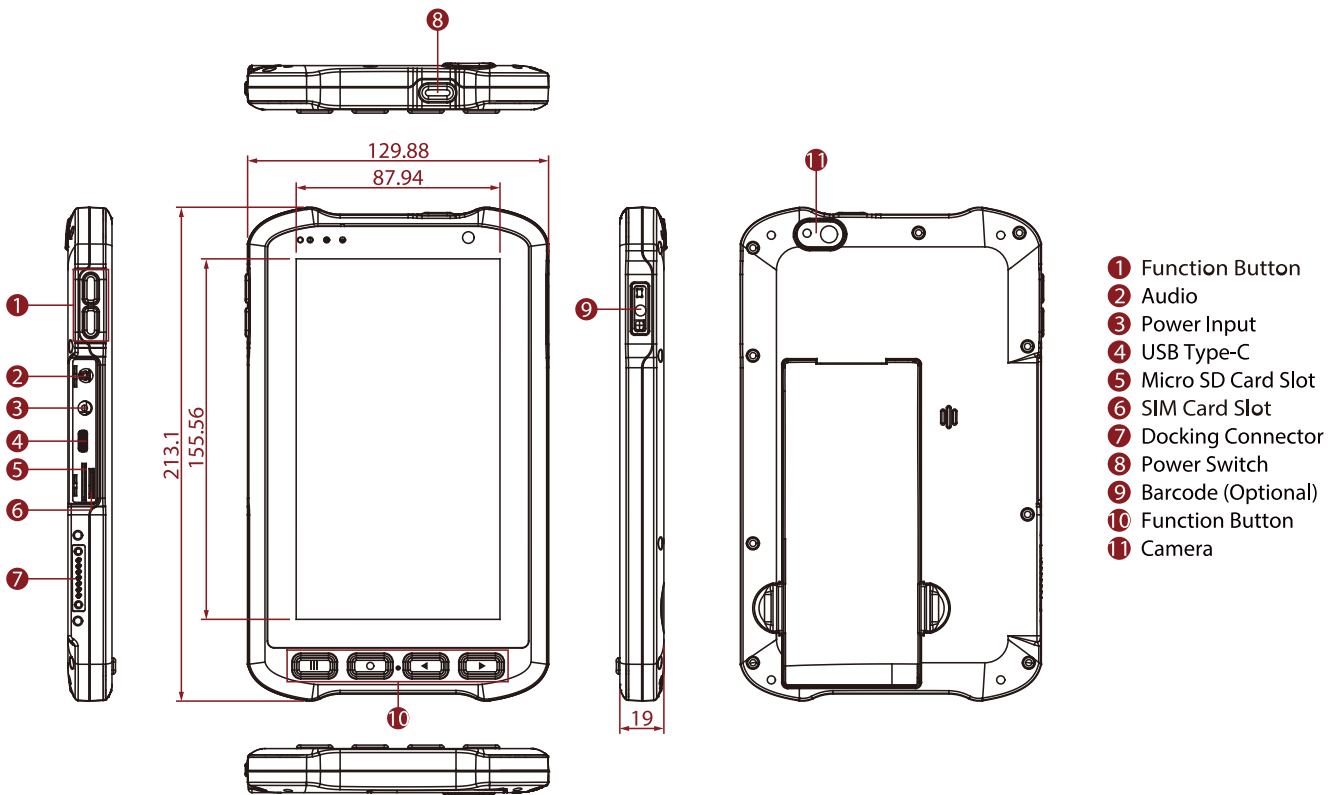


SPECIFICATIONS

Display			
Resolution	1280x720	Size	7 inches
Contrast Ratio	800:1	Panel Brightness	650 nits
View Angles	80,80,80,80	Type	Projected Capacitive Multi Touch
Touch Mode	Support Hand / Gloves and Rain Mode	Bonding	Optical Bonding for Sunlight Viewability
System Specification			
Processor	ARM A73 x 4 (2.0 GHz) + A53 x 4 (2.0 GHz)	Memory	4GB
Storage	32GB	Operating System	Android 11.0
WLAN	Support	BT	Support
WWAN	4G/LTE (Optional)	GNSS	GPS/GLONASS
RFID	NFC (Read / Write, Peer to Peer mode) (Optional)	Sensors	Ambient Light Sensor, E-Compass, Gyro, Acceleration Sensors
Camera			
Front Camera	8MP Camera	Rear Camera	13MP Camera with LED Auxiliary Light (Auto Focus)
Mechanical			
Dimension	212.4 x 132.8 x 19 mm	Weight	550g
IO Ports			
USB Port	1 x USB Type C OTG	SD Card Slot	1 x Micro SD Card Slot
SIM Card Slot	1 x Micro SIM Card Slot	Audio	1 x Audio Combo connector (Mic in and Line Out) 2 x Built-in Mic 1 x Speaker 1 x Earphone
Indicator	2 x LED Indicators (Power, Battery)	Docking Connector	1 x Docking Connector
Environment			
Operating Humidity	5% to 95% RH, Non-Condensing	Operating Temperature	-10°C to 50°C (Battery mode) -20°C to 60°C (Charging mode)
Storage Temperature	-30°C to 70°C	Shock	MIL-STD-810G Method 516.6 Procedure I
Vibration	MIL-STD-810G Method 514.6 Procedure I	IP rating	IP65 Certified, Waterproof and Dustproof
Drop	MIL-STD-810G Method 516.6, 5 ft		

Certification			
Certification	CE, FCC		
Control			
Button	1 x Volume + , 1 x Volume - , 1 x Power Button, 1 x Home Button, 1 x Menu Button, 1 x Return Button, 1 x Trigger Button		
Power			
Battery	3.7V 5300mAh	Battery Operating Time	20Hr
Power Rating	DC 5V	Adapter	Input: 100V-240V AC Output: DC 5V 3A
Security Function			
SOTI MobiControl	SOTI MobiControl Compliance		
Accessory			
Accessory	Universal Adapter x1 Battery x1	Optional Accessory	USB Type-C Cable x1 Battery Charging Dock Vehicle Dock (Charging + Connectors) Vehicle Dock (Charging Only) Desk Dock Hand Strap Micro SD Card Capacitive Touch Stylus Vehicle Adapter HDMI Adapter
Barcode Scanner			
Barcode Scanner	1D/2D Barcode Reader (Optional)		

DIMENSIONS UNIT:MM



NOTE

1. Total usable memory will be less dependent upon actual system configuration.
2. SOTI is available upon request.
3. Length measurements do not include protrusions.
4. The drop test with a high-capacity battery must come with a hand strap.
5. Measured at dimming LCD brightness. Varies depending on the usage conditions, or when an external device is attached.
6. Accessories and integrated options may vary depending on your configuration.
7. This is a simplified drawing and some components are not marked in detail.
8. The product shown in this datasheet is a standard model. For diagrams that contain customized or optional I/O, please contact the Winmate Sales Team for more information.