

MPT-500R

Railway Computer System

EN50155/EN45545 Certified Intel® Atom® Processor X Series Railway Gateway Computer System with M12 Connection and Dual WWAN



Features

- Intel® Atom® x6425RE/x6212RE processors
- EN50155 (2021) / EN45545-2 certified
- Fanless and ruggedized design
- Robust M12 connection for one 2.5G LAN, dual GbE LAN with PoE, dual USB
- Isolated USB, RS485 ports
- SIM socket with dual WWAN support
- Optional isolated CANbus thru Mini PCIE card
- Wide-range operating temperature from -30°C to +70°C

Specifications

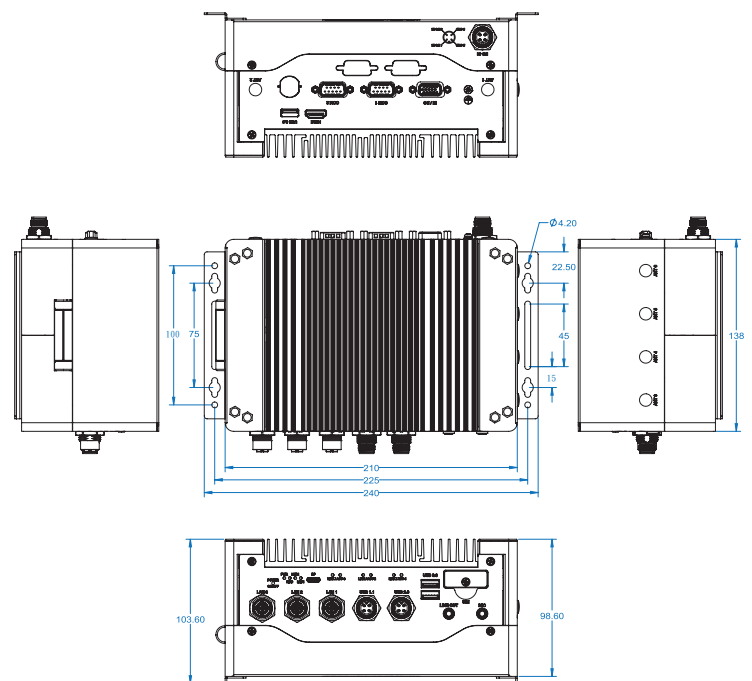
System Mainboard	MBT-501R
CPU Type	Intel® Atom® x6212RE/ x6425RE Processor
Processor Speed	Intel® Atom® x6212RE: 1.2GHz Intel® Atom® x6425RE: 1.90GHz
Memory	4GB/8GB LPDDR4 3200 on board
Front panel I/O	1x Recessed access fact-switch for system power 4x light-pipe for four status LED 1x USB type-C with DP 6x LED with each port for network status 2x USB3.2 Gen.1 type-A 2x external accessible SIM socket 3x M12 8-pin X-code for LAN (Two GbE LAN come with PoE and one 2.5G LAN) 1x M12 4-pin A-code for USB 1.1 1x M12 4-pin A-code for USB 2.0 1x 3.5mm audio connector for line output 1x 3.5mm audio connector for MIC input
Rear Panel External I/O	1x HDMI type-A 1x USB3.2 Gen.2 type-A 2x SMA antenna holes with cap 1x M3 screw hole for grounding connection 1x DSUB15 for 4x DO/4x DI and ground 1x DSUB9 for RS-232/485 1x DSUB9 for 2x RS485 isolated 1x M12 4-pin A-code for power input
Storage	1x 2242/80 M.2 M-key (PCI-E M.2 SSD) 1x 2.5" device bay for SSD or HDD. Default 2.5" 64G SSD
Expansion slots	1x mPCI-E full/half socket (PCI-E, USB 2.0) (Supports SIM2) 1x 3042/52 M.2 B-key (4G/5G) (Supports SIM1)
Power Supply	24V DC or 72V DC/110V DC
Construction	Aluminum
Chassis Color	Black
Mounting	Side mounting
Dimensions	240 (W) x 138 (D) x 93 (H) mm 9.4" (W) x 5.4" (D) x 3.7" (H)
Operating Temperature	SSD w/o PCI-E Card: -40°C ~70°C, up to 85°C for 10 minutes SSD w/ PCI-E Card: -40°C ~55°C, up to 70°C for 10 minutes HDD: -25°C ~55°C, up to 70°C for 10 minutes
Storage Temperature	-40°C ~ 85°C (-40°F~185°F)
Relative Humidity	10 ~ 95% @ 45°C, (non-condensing)
Vibration	Function: 1m/S2, 5Hz~150Hz (EN 61373) Lifetime: 7.9m/S2, 5Hz~150Hz (EN 61373)
Shock	50 m/S2, 30 msec (EN61373)

Certified	EN50155: 2021 CE (EN62368/ EN55032/ EN55035)/ FCC Class-A EN45545-2
-----------	---

Ordering Information

MPT-500R	MPT-500R with MBT-501RX25, Intel® Atom® x6425RE processor, w/ 4GB RAM, 64G MLC SSD, 24V DC input
MPT-500RH	MPT-500RH with MBT-501RX25, Intel® Atom® x6425RE processor, w/ 4GB RAM, 64G MLC SSD, 72/110V DC input
MPT-500RHA	MPT-500RHA with MBT-501RX25A, Intel® Atom® x6425RE processor, w/ 8GB RAM, 64G MLC SSD, 72/110V DC input
MPT-500RE	MPT-500RE with MBT-501RX12, Intel® Atom® X6212RE processor, w/ 4GB RAM, 64G MLC SSD, 24V DC input

Dimensions



Backplane Systems
Technology Pty Ltd



Backplane
Systems
Technology

TEL 02 9457 6400
sales@backplane.com.au
www.backplane.com.au