

R12ITWS-MHM2-EX

12.1" Intel® Core™ i5-1135G7 C1D2 HMI Panel PC



Backplane
Systems
Technology

Backplane Systems
Technology Pty Ltd

TEL 02 9457 6400
sales@backplane.com.au
www.backplane.com.au



KEY FEATURES

- Intel® 11th Generation Tiger Lake UP3 Core™ i5 CPU HMI Panel PC
- Signature true flat display screen with edge-to-edge design
- Aluminum, anti-corrosion treated housing
- Superior sealing with front IP65 protection against dust and water
- Projected Capacitive Multi-Touch Screen (PCAP)
- Fanless Design, C1D2 HMI Panel PC
- Support wide range 9-29 V DC input
- Quick & Easy Removable 2.5" SSD Bay Slot
- Support PCIe x4 Card
- Class 1, Division 2, ATEX Grade zone 2 and IECEx certified for hazardous area applications



SPECIFICATIONS

Display			
Resolution	1024x768	Size	12.1 inches
Contrast Ratio	1000:1	Panel Brightness	500 nits
View Angles	89,89,89,89	Active Area	245.76x184.32 mm
Touch / Glass	Projected Capacitive Multi Touch Screen		
System Specification			
WLAN	Support (Optional)	BT	Support (Optional)
Expansion Port	Modular Design for easy service in the field	Processor	Intel Core i5-1135G7 2.4GHz (up to 4.2GHz)
Memory	2 x SO-DIMM, DDR4 3200 MHz, 4GB 8GB (Optional) 16GB (Optional) 32GB (Optional)	Storage	1 x M.2 2280 NVMe SSD, 128GB up to 512GB 1 x 2.5" Removable 256GB SSD up to 512GB (Optional)
Ethernet controller	Intel® Ethernet Controller I211-AT + Intel® Ethernet Connection I219-LM	Operating System	Windows 10 IoT Enterprise (64 bit) (Optional)
Mechanical			
Dimension	322 x 256 x 91 mm	Mounting	Panel mount VESA Mount
Enclosure	Metal Housing	Cooling System	Fanless design
Cut out	301 x 237mm		
Environment			
Operating Humidity	10% to 90% RH, Non-Condensing	Operating Temperature	-20°C to 60°C
Storage Temperature	-40°C to 80°C		
Certification			
Certification	CE, FCC Class 1, Division 2, Group A, B, C, D, T5 IECEX Ex ec ic IIC T5 Gc		
IO Ports			

Power Input	1 x 9~29V DC, 3-Pin Terminal Block	USB Port	4 x USB 3.2 Gen.1 (Type-A)
Serial Port	2 x RS232/422/485 (Default RS232) 1 x RS232	Video	1 x DP1.4 1 x HDMI 2.0 (Optional)
Audio	1 x Audio Combo Connector (Mic in / Line Out)	Expansion Port	1 x mPCIe slot 1 x PCIe x16 slot (x4 signal)(module max size:180x121mm) 1 x M.2 2230 Key E slot for WiFi 1 x M.2 2280 Key M slot for NVMe SSD Swappable 2.5" HDD/SSD Bay Slot
LAN	2 x Giga LAN RJ45 Connector	Indicator	1 x LED Indicator for storage
Control			

Button	1 x Power Button with LED Indicator 1 x Reset Button
---------------	---

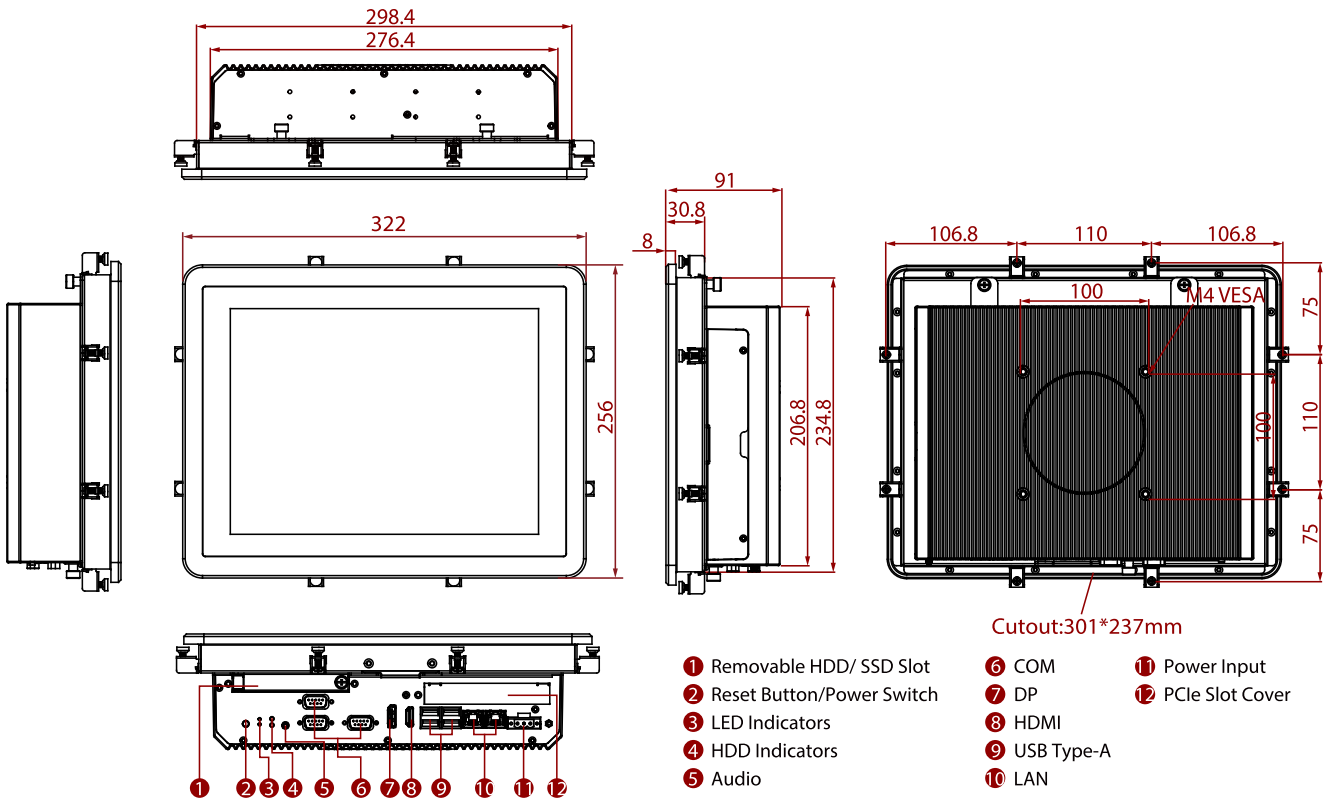
Accessory

Accessory	100~240V AC to DC Adapter Power Cord Open Wire Cable with terminal block connector Mounting clips VESA screws
------------------	---

Power

Power Rating	9V~29V DC with protection fuse	Adapter	12V 120W
Consumption	45W~55W		

DIMENSIONS UNIT:MM



NOTE

1. This is a simplified drawing and some components are not marked in detail.
2. The product shown in this datasheet is a standard model. For diagrams that contain customized or optional I/O, please contact the Winmate Sales Team for more information.
3. All specifications are subject to change without prior notice.