

## Features

- Onboard Intel® Atom® x6000 series processors
- Onboard 8GB DDR4 memory + 1x DDR4 SO-DIMM, IB ECC compatible
- 1x I226IT PCI-E 2.5G LAN
- 2x USB 3.1, 4x USB 2.0, 2x SATA III, 2x UART (Tx/Rx only)
- 3x independent displays, DisplayPort /DVI-D / LVDS or eDP via carrier board (IP419)
- Supports wide-range operating temperature of -40°C ~ +85°C

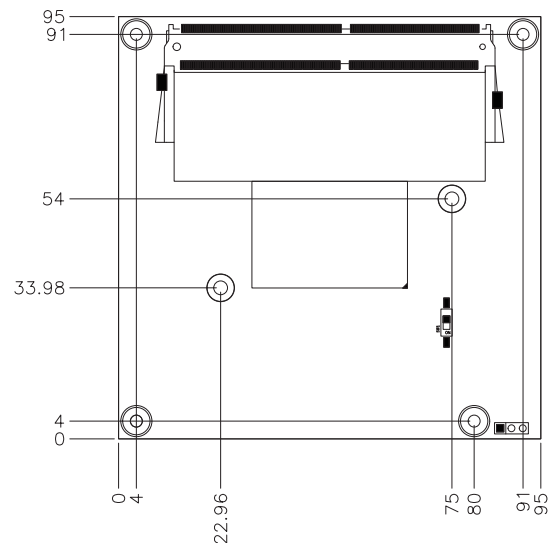
## Specifications

|                          |  |
|--------------------------|--|
| CPU                      | Intel® Atom® QC x6425E (1.8Ghz/3.0Ghz)<br>Intel® Atom® DC x6211E (1.2Ghz/3.0Ghz) |
| PCH                      | Integrated in Intel® SoC   |
| Memory                   | Onboard DDR4 8GB & 1x DDR4 SO-DIMM, Max. support 24GB, IB ECC compatible         |
| BIOS                     | AMI  |
| Watchdog Timer           | 256 levels   |
| H/W Monitor              | Yes  |
| Storage Device Interface | N/A  |
| Expansion Slots          | 5x PCI-E(x1) to carrier board  |
| Graphics Controller      | Intel® Gen11 integrated graphics   |
| Video Output             | 2x DDI, LVDS or eDP on carrier board   |
| Ethernet                 | 1x Intel I226IT 2.5GbE RJ45 on carrier board                                     |
| I/O Chipset              | Fintek F81804U-I   |
| Serial Port              | 2x COM ports (Tx/Rx only)  |
| USB 2.0                  | 4x USB 2.0 via carrier board   |
| USB 3.X                  | 2x USB 3.1 (5Gbps) via carrier board   |
| Serial ATA               | 2x SATA III via carrier board  |
| Audio                    | Built-in HD Audio controller   |
| TPM                      | TPM (2.0)  |
| Others                   | Digital I/O (4-in/4-out)   |
| Dimensions (L X W)       | 95mm x 95mm (3.74" x 3.74")  |
| Power Consumption        | TBD  |
| Operating Temperature    | -40°C ~ +85°C (-40°F ~ +185°F) ; exclude SO-DIMM memory module                   |
| Storage Temperature      | -40°C ~ 90°C (-40°F ~ +194°F)  |
| Relative Humidity        | 90% (non-condensing @60°C)   |

## Ordering Information

|               |  |
|---------------|--|
| ET880-6425E   | COM Express (Type-6) module w/ Intel® Atom® x6425E SoC on board, supports eDP  |
| ET880-6425ELV | COM Express (Type-6) module w/ Intel® Atom® x6425E SoC on board, supports LVDS |
| ET880-6211E   | COM Express (Type-6) module w/ Intel® Atom® x6211E SoC on board, supports eDP  |
| ET880-6211ELV | COM Express (Type-6) module w/ Intel® Atom® x6211E SoC on board, supports LVDS |
| HSET880-A     | Heatsink for ET880 with Atom® x6000 series SoC                                 |
| HSET880-1     | Heat spreader for ET880 with Atom® x6000 series SoC                            |

## Dimensions and Drawing



Backplane Systems Technology

Backplane Systems Technology Pty Ltd  
TEL 02 9457 6400  
sales@backplane.com.au  
www.backplane.com.au