

# SE-603-N

## Outdoor Signage Player

11th Gen Intel® Core™ / Celeron® U-Series Fanless Signage Player  
with One HDMI, DP and DVI



### Features

- iSMART intelligent energy-saving & Observer remote monitoring technologies
- 11th Gen Intel® Core™ / Celeron® U-Series Processors
- 2x DDR4-3200 SO-DIMM, dual channel, Max. 64GB
- Intel® Processor integrated graphics device
- Supports OOB (Out-of-Band) and PDPC (Peripheral Device Power Control) functions
- 1x HDMI 2.0, 1x DVI-D, 1x DP (supports DP++)
- 1x M.2 E-Key (2230) for Wi-Fi, Bluetooth or capture card options
- 1x M.2 B-Key (3052) for 5G options
- TPM 2.0, vPro and watchdog timer
- Wide-range operating temperature: -20°C ~ 70°C
- Ruggedized, fanless and all solid state design

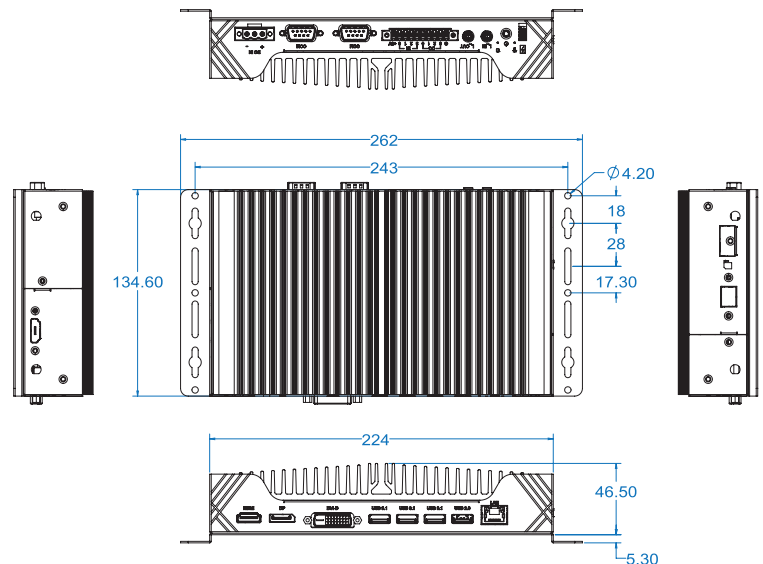
### Specifications

System Mainboard	MBD603
CPU	11th Gen Intel® Core™ / Celeron® U-Series (TGL-U Platform) Processors TDP <= 15W
CPU Socket	SoC Integrated
Memory	2x DDR4-3200 SO-DIMM, dual channel, Max. 64GB
Graphics	Gen12 integrated graphics (up to 96EU)
LAN	1x Intel® 226IT PCI-E Gigabit LAN controller
Expansion Slots	1x M.2 E-Key (2230) 1x M.2 B-Key (3052) 1x UIM/SIM card slot
I/O Interface	1x HDMI 2.0 1x DP (support DP++) 1x DVI-D 3x USB 3.1 @gen 2 1x USB 2.0 1x RJ45 for 2.5 Gigabit LAN 2x Audio connectors for Line-in / Line-out 2x COM ports: 1x RS232/422/485 + 1x RS232 1x DIO (4-in/4-out) 1x Power / HDD LED 1x Power button 1x 4-pin terminal block 1x Power switch connector
Auto Control and Monitoring	Watchdog Timer: 256 segments, 0, 1, 2...255 (sec/min)
Power Requirement	12V~24V DC terminal block
Construction	Aluminum + SGCC
Weight	1.7kg (3.75lbs)
Chassis Color	Black and white
Storage	1x M.2 M-Key (2280)
Power Supply	Optional
Mounting	Standard system bracket
Dimensions	224mm(W) x 134.6mm(D) x 46.5mm(H) 10.3"(W) x 5.29"(D) x 1.83"(H)
Operating Temperature	-20°C ~ 70°C (-4°F ~ 167°F)
Storage Temperature	-20°C ~ 80°C (-4°F ~ 176°F)
Relative Humidity	10% ~ 90% (non-condensing)
Vibration	SSD: 5 grms / 5~500Hz / random operation
Certification	CE, FCC class-B, cULus, UKCA
Operating System	Win10 IoT Enterprise (64-bit) Linux Ubuntu (64-bit)

### Ordering Information

SE-603-N	Fanless Signage Player with MBD603 w/ Intel® 11th Gen Intel® Core™ i7-1185GRE processor TDP <= 15W, 2x 4GB SO-DIMM RAM, M.2 128GB storage, and 60W power adaptor (Operating temperature -20°C~70°C; w/o adaptor)
SE-603-N5	Fanless Signage Player with MBD603 w/ Intel® 11th Gen Intel® Core™ i5-1145G7E processor TDP <= 15W, 2x 4GB SO-DIMM RAM, M.2 128GB storage, and 60W power adaptor (Operating temperature -20°C~70°C; w/o adaptor)

### Dimensions



Remarks: 1. Specifications are subject to change without prior notice.



Backplane  
Systems  
Technology

Backplane Systems  
Technology Pty Ltd

TEL 02 9457 6400  
sales@backplane.com.au  
www.backplane.com.au

Proudly Australian-Owned Since 1989