

# AFL4-121-ADLP

## IEI Light Industrial Panel PC

Powered by Intel® Alder Lake-P Platform



Backplane  
Systems  
Technology

Backplane Systems  
Technology Pty Ltd

TEL 02 9457 6400  
sales@backplane.com.au  
www.backplane.com.au

Proudly Australian-Owned Since 1989



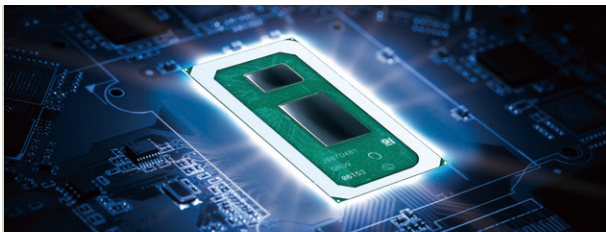
# AFL4-121-ADLP

Fanless panel PC with narrow bezel design, Intel® Alder Lake-P platform, on-board 8GB memory, HDMI output, dual 2.5GbE LAN, four UART, five USB, two M.2 M key expansion slots, and anti-glare & anti-UV 10-point touchscreen



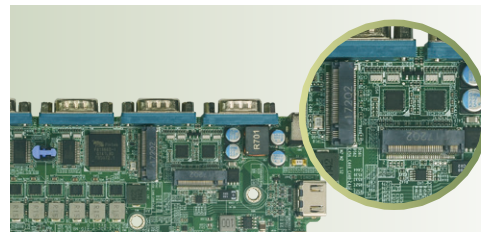
## 12th Gen Intel® Alder Lake-P Platform

Powered by 12th generation Intel® Alder Lake-P Series processors and asynchronous architecture, unleashing superior performance



## Dual full-speed M.2 expansion slots

Two M.2 M-key slots accept 2242 and 2280 sizes of M.2 modules, and supports PCIe Gen4 x4 full-speed signal for more bandwidth and faster speed.



## Anti-glare and Anti-UV PCAP

With anti-glare and anti-UV coating, the 10-point touchscreen can display clearly without reflection for a long time use in outdoors and bright light environment.



## Works with Gloves and Water

The equipped capacitive touch screen supports gloved operation and waterproof function that can effectively eliminate false touch operating caused by water spray.



## Extensive I/O Interfaces

The panel PC is small, but comes with abundant I/O for a variety of application scenarios. It includes four UART, five USB, two 2.5G network port and one HDMI interface.

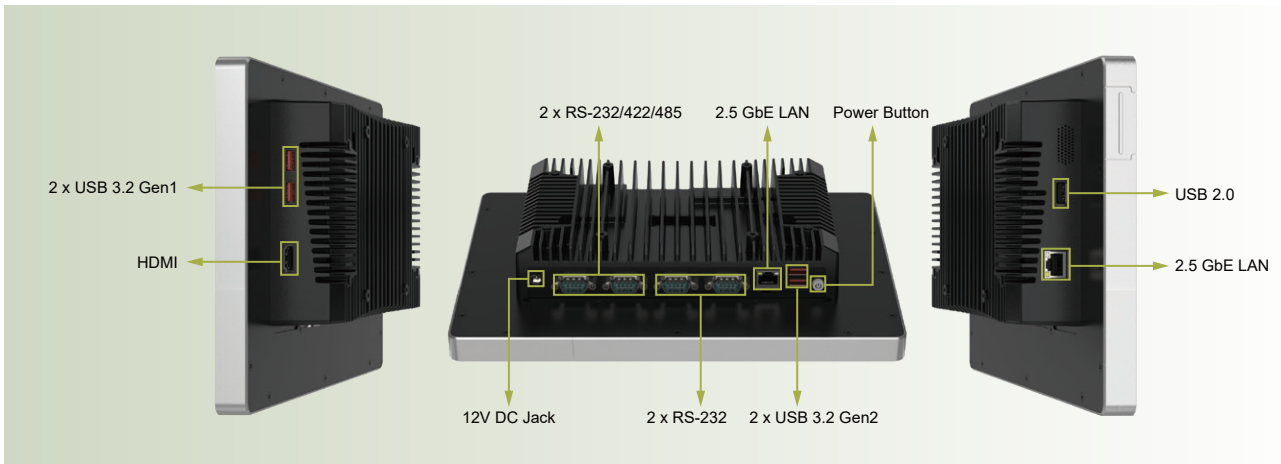


## Support Wi-Fi 6E and Bluetooth 5.2

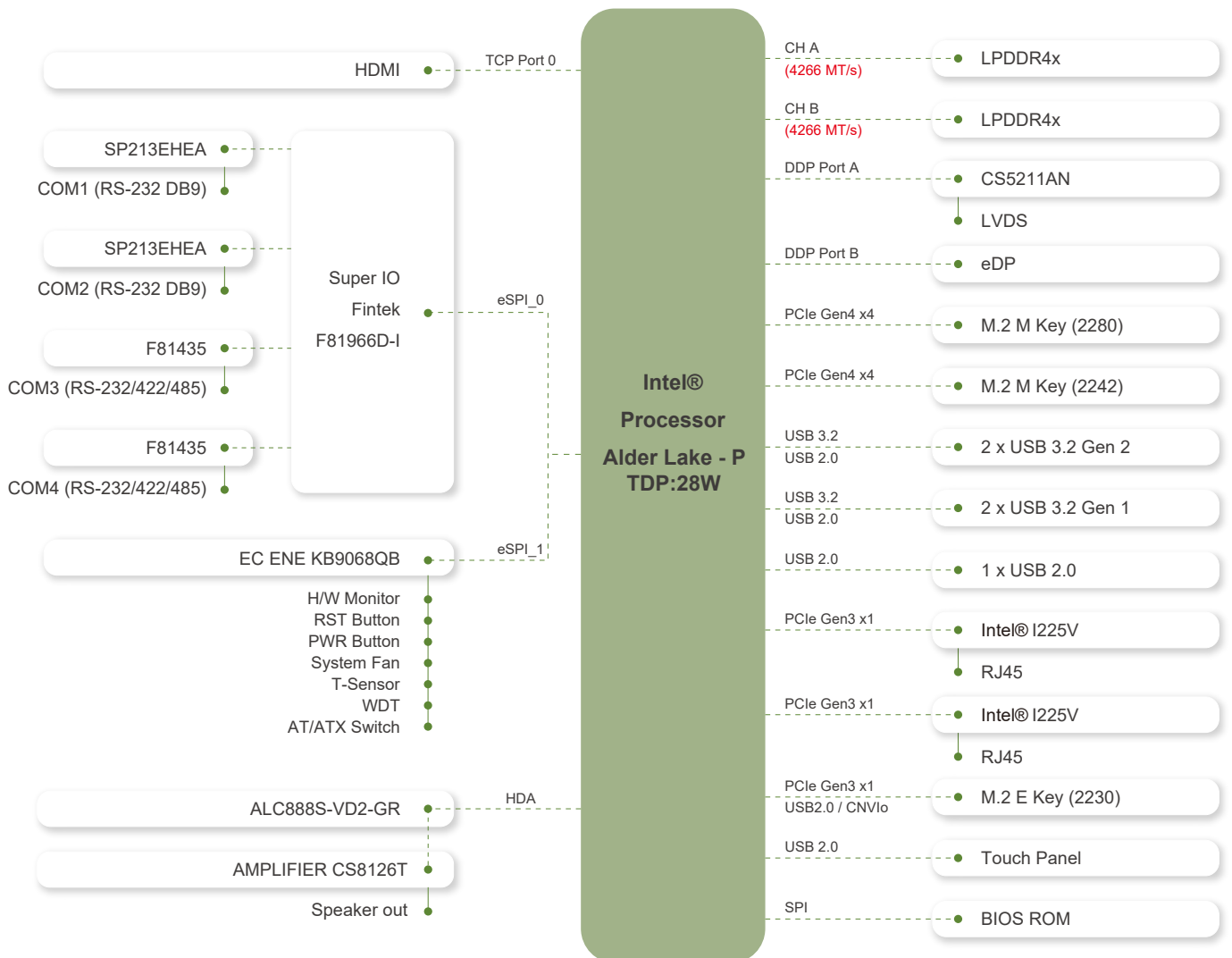
Strong Wi-Fi 6E wireless network capability provides more bandwidth, and the low latency Bluetooth 5.2 connection is more stable and consumes less power.



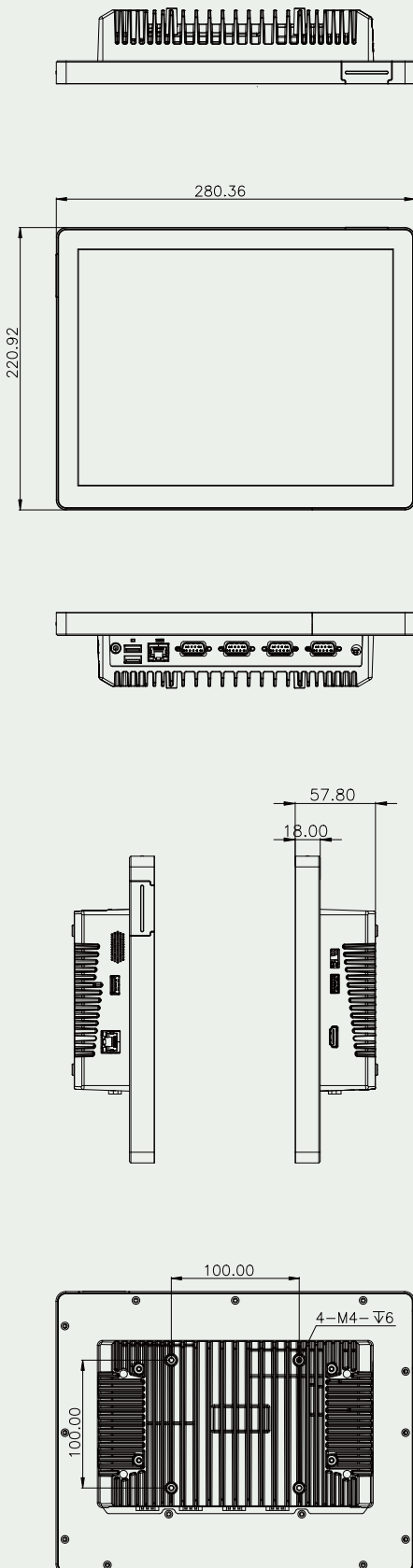
# AFL4-121-ADLP I/O



## AFL4-121-ADLP Block Diagram



## Dimensions



## Specifications

Model	AFL4-121-ADLP
LCD Display	12.1" (4:3)
Resolution	1024 (W) x 768 (H)
Brightness	500 cd/cm <sup>2</sup>
Contrast Ratio	700:1
LCD Color	16.2M
Viewing Angle (H-V)	160°/140°
Backlight MTBF	50,000 hours
CPU (SoC)	12th Generation Intel® Core™ i7/i5/i3 Processor (Alder Lake-P)
Memory	Dual-channel 8GB LPDDR4x on-board
Touchscreen	Multi-point projected capacitive type (anti-UV / anti-glare coating, support gloves)
Touch	Surface hardness: ≥7H Projected capacitive type: EETI 80
Ethernet	LAN1: Intel® I225V 2.5GbE controller LAN2: Intel® I225-LM 2.5GbE controller (support Intel® AMT)
Expansion	1 x M.2 M key 2242 (PCIe Gen4 x4) 1 x M.2 M key 2280 (PCIe Gen4 x4)
Mounting	VESA 100, Wall, Stand and Arm
Construction Material	Aluminum front cover and sheet metal rear cover
Enclosure Color	Silver+Black
I/O Ports, Switch	2 x RS-232 by DB9 2 x RS-232/422/485 by DB9 2 x 2.5GbE LAN 2 x USB 3.2 Gen2 2 x USB 3.2 Gen1 1 x USB 2.0 1 x HDMI output 1 x 12V DC Jack 1 x Power button 1 x Reset button 1 x AT/ATX switch
Wireless & Bluetooth	IEEE 802.11ax 2T2R module (Wi-Fi 6E) with BT v5.2 (M.2 2230 E-key)
Thermal Solution	Fanless
Power Input	DC 12V
TPM	Intel® Platform Trust Technology
Watchdog Timer	Software Programmable support 1~255 sec. system reset
Operating Temperature (with air flow)	-10°C ~ 50°C
Storage Temperature	-20°C ~ 60°C
Humidity	10% ~ 95%@40°C, non-condensing
IP Level	IP 64 compliant front panel
Safety and EMC	CE, FCC Class A, UKCA
Operation Vibration	MIL-STD-810G 514.6C-1 (with SSD)
Operation Shock	Half-sine wave shock 5G; 11ms; 100 shocks per axis
Dimensions (H x W x D)	280.36 x 220.92 x 57.80 (mm)
Net Weight	2.38kg
ErP	ErP 2009/125/EC
OS	Windows 10/11 IoT, Linux

## Packing List

1 x Power Cord	1 x Power Adapter
1 x QIG	1 x Thermal Pad

## Ordering Information

AFL4-121-ADLP-i7/8G-R10	12.1" 500cd/m <sup>2</sup> 1024x768 fanless panel PC with Intel® Core™ i7-1260P on-board processor, 8GB LPDDR4x on-board, Wi-Fi 6E and Bluetooth 5.2 module, PCAP touch, 12V DC, R10
AFL4-121-ADLP-i5/8G-R10	12.1" 500cd/m <sup>2</sup> 1024x768 fanless panel PC with Intel® Core™ i5-1240P on-board processor, 8GB LPDDR4x on-board, Wi-Fi 6E and Bluetooth 5.2 module, PCAP touch, 12V DC, R10
AFL4-121-ADLP-i3/8G-R10	12.1" 500cd/m <sup>2</sup> 1024x768 fanless panel PC with Intel® Core™ i3-1220P on-board processor, 8GB LPDDR4x on-board, Wi-Fi 6E and Bluetooth 5.2 module, PCAP touch, 12V DC, R10

## Options

Item	Part No	Description
Arm	ARM-11-RS	VESA 75/100 Desk Arm
Stand	STAND-C12-R10	VESA 75/100 Easy Stand
V-Stand	VSTAND-A10-R11	Stand V Type, VESA 75/100
Wall	AFLWK-19B	Monitor Wall Mount Kit
OS	TBD	TBD