



ET-2224
PET-2224

ET-2228
PET-2228

(PoE) Ethernet I/O Module with 4/8-ch Analog Outputs

Features

- Built-in Web Server
- Support Modbus TCP/UDP, MQTT, and SNMP V2c Protocols
- 2-port Ethernet Switch (LAN Bypass) for Daisy-Chain Wiring
- Dual Watchdog
- I/O Pair Connection (Push and Pull)
- Built-in I/O
 - (P)ET-2224: 4-channel AO
 - (P)ET-2228: 8-channel AO



Introduction

The (P)ET-2224/(P)ET-2228 provides 4/8 channels analog output. It provides a variety of programmable analog output options (0 ~ 5 V, +/-5 V, 0 ~ 10 V, +/-10 V, 4 ~ 20 mA or 0 ~ 20 mA). With 2 Ethernet ports, the (P)ET-2224/(P)ET-2228 allows daisy chain connection which permits the flexibility in locating devices, eases installation and lowers infrastructure costs. It features 4 kV ESD protection, 4 kV EFT protection, 2 kV surge, and 3000 VDC I/O isolation are also provided to enhance noise protection capabilities in industrial environments. The power-on value and safe value of AO are configurable.

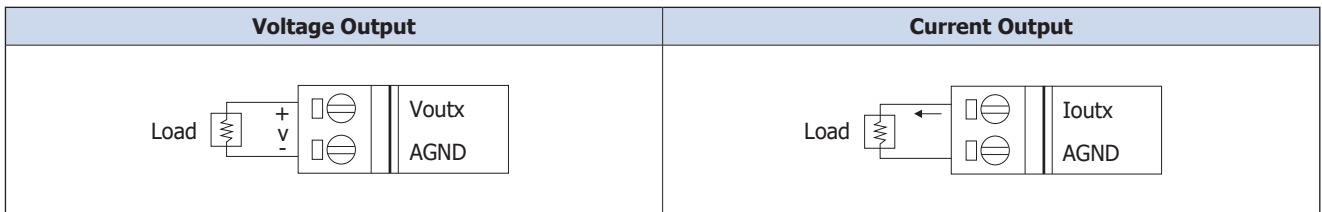
System Specifications

Model	ET-2224	ET-2228	PET-2224	PET-2228
Software				
Built-in Web Server	Yes			
CPU Module				
CPU	32-bit ARM			
Watchdog Timer	Module, Communication (Programmable)			
Isolation				
2-way Isolation	Ethernet: 1500 VDC, I/O: 3000 VDC		I/O: 3000 VDC	
EMS Protection				
EFT (IEC 61000-4-4)	±4 kV for Power Line			
ESD (IEC 61000-4-2)	±4 kV Contact for Each Terminal ±8 kV Air for Random Point			
Surge (IEC 61000-4-5)	±2 kV for Power Line			
LED Indicators				
Status	Run, Ethernet		Run, Ethernet, PoE	
Ethernet				
Ports	2 x RJ-45, 10/100 Base-Tx, Switch Ports			
PoE	-		Yes	
LAN bypass	Yes			
Security	Password and IP Filter			
Protocol	Modbus TCP, Modbus UDP			
Power				
Reverse Polarity Protection	Yes			
Consumption	5.0 W (max.)	6.2 W (max.)	5.2 W (max.)	7.4 W (max.)
Powered from PoE	-		IEEE 802.3af, Class2	IEEE 802.3af, Class3
Powered from Terminal Block	+10 to +48 VDC			
Mechanical				
Casing	Metal			
Dimensions (mm)	33 x 126 x 117 (W x L x H)			
Installation	DIN-Rail mounting / Wall mounting (Optional ASO-0015)			
Environment				
Operating Temperature	-25 to +75°C			
Storage Temperature	-40 to +80°C			
Humidity	10 to 90% RH, Non-condensing			

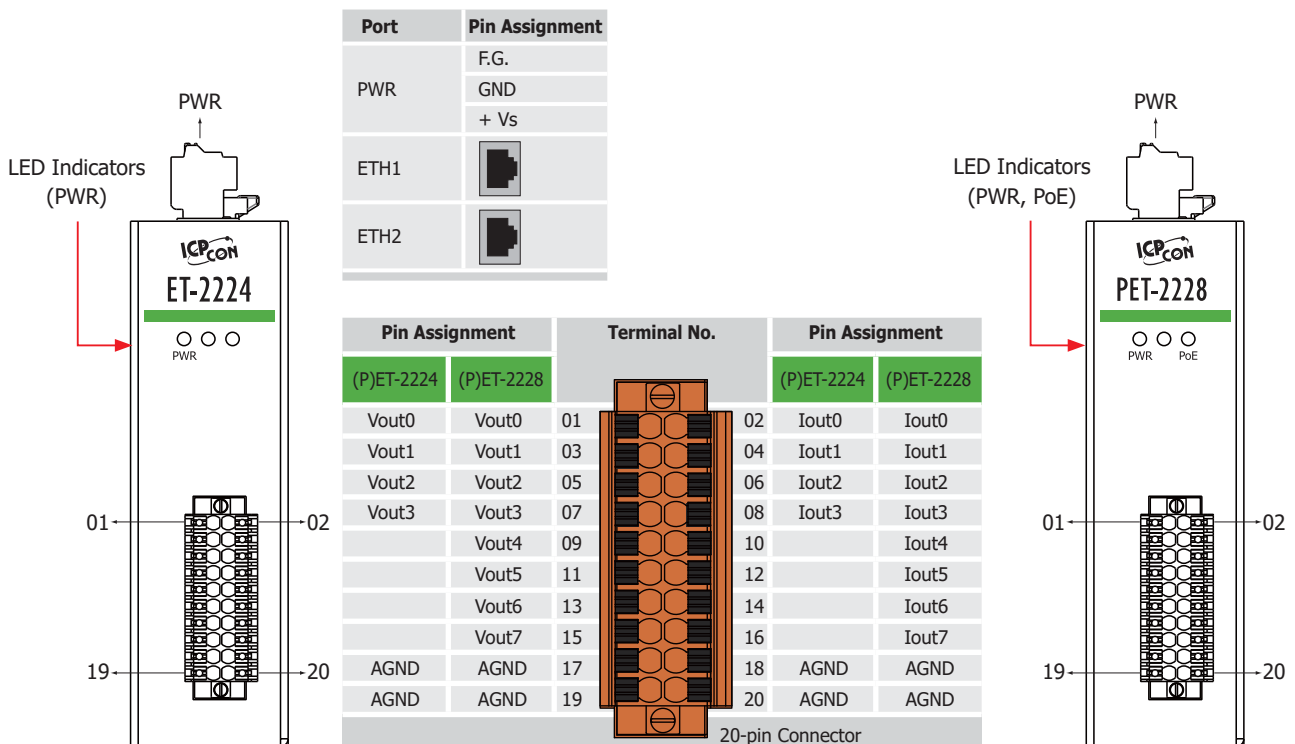
I/O Specifications

Model		ET-2224	PET-2224	ET-2228	PET-2228
Analog Output					
Channels		4		8	
Type	Voltage	0 to +5 VDC, ±5 VDC, 0 to +10 VDC, ±10 VDC			
	Current	0 to 20 mA, 4 to 20 mA			
Resolution		12-bit			
Accuracy		±0.1% of FSR			
Short Circuit Protection		Yes			
DA Output Response Time		1 ms per channel			
Programmable Output Slope	Voltage	0.0625 to 512 V/Second			
	Current	0.125 to 1024 mA/Second			
Open Wire Detection		For 4 to 20 mA only			
Voltage Output Capability		10 V @ 10 mA			
Current Load Resistance		500 Ω			
Individual Channel Configuration		Yes			
Power-on Value		Programmable			
Safe Value		Programmable			

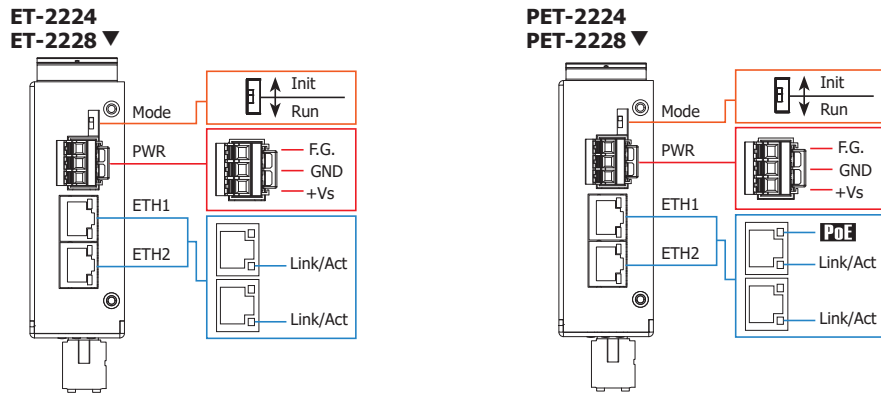
Wire Connections



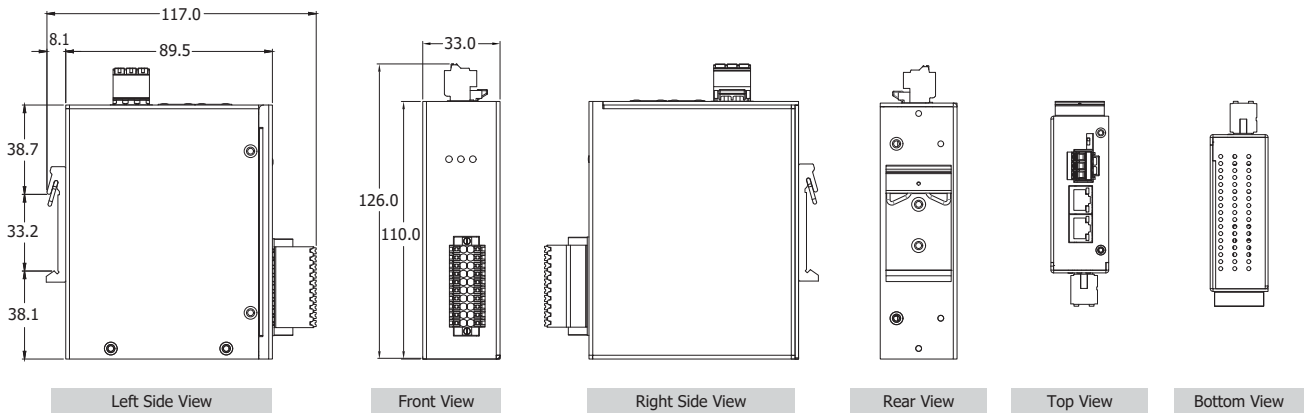
Pin Assignments



Appearance



Dimensions (Units: mm)



Ordering Information

ET-2224 CR	Ethernet I/O Module with 2-port Ethernet Switch, 4-ch Analog Outputs (RoHS)
PET-2224 CR	PoE Ethernet I/O Module with 2-port Ethernet Switch, 4-ch Analog Outputs (RoHS)
ET-2228 CR	Ethernet I/O Module with 2-port Ethernet Switch, 8-ch Analog Outputs (RoHS)
PET-2228 CR	PoE Ethernet I/O Module with 2-port Ethernet Switch, 8-ch Analog Outputs (RoHS)

Accessories

ASO-0015 CR	Wall Mount Kit (W:28mm) (RoHS)
--------------------	--------------------------------

