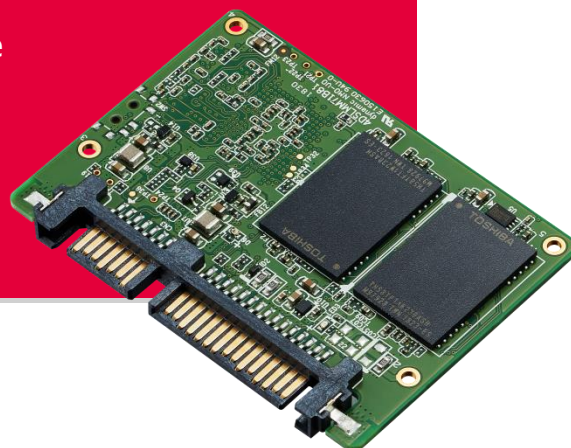


Datasheet

SATA Slim 3TG6-P series

- SATA Slim solution for industrial field
- High IOPS
- iSMART disk health monitoring
- End to end data path protection
- iData Guard for abnormal power failure
- iPower Guard for protecting unstable start up and shut down



Introduction

Innodisk SATA Slim 3TG6-P is SATA III 6Gb/s solid state disk, which delivers excellent performance, especially in random data transfer rate, and which offers reliability making it the ideal solution for a variety of applications, including embedded system, industrial computing, and enterprise field. 3TG6-P SATA Slim not only performs unmatched performance, but also designed with Innodisk owned technical knowhow to ensure the data integrity and highest levels of reliability.



Backplane
Systems
Technology

Backplane Systems
Technology Pty Ltd
TEL 02 9457 6400
sales@backplane.com.au
www.backplane.com.au

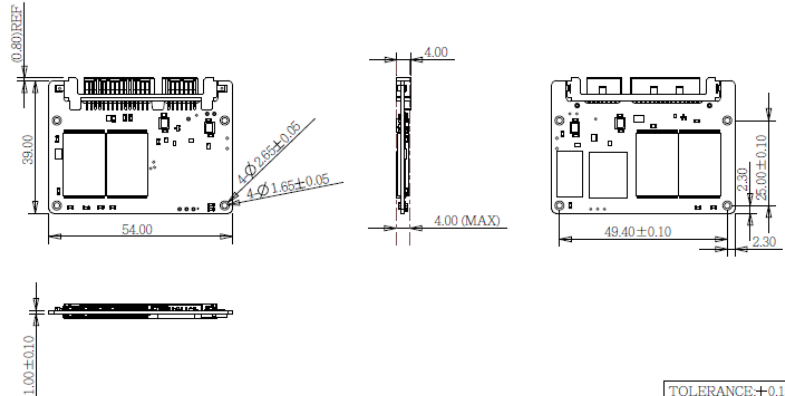
Proudly Australian-Owned Since 1989

SATA Slim 3TG6-P series

Drawing

Contact us for more information
about the SATA Slim 3TG6-P

Innodisk is a service-driven provider of industrial embedded flash and DRAM storage products and technologies, with a focus on the industrial/embedded, aerospace and defense, and cloud computing industries.



Specifications

Interface	SATA III
Flash Type	3D TLC
Capacity	128GB~512GB
Max. Channels	4
Sequential R/W (MB/sec, max.)*	550/510
4KB Random (QD32) R/W (IOPS)*	73000/ 65000
Max. Power Consumption	4.26W
Thermal Sensor	✓
External DRAM Buffer	✓
ATA Security	✓
S.M.A.R.T.	✓
Dimension (WxLxH)	54.0 X 39.0 X 4.0 mm
Environment	Vibration: 20G @7~2000Hz Shock: 1500G @ 0.5ms Storage Temperature: -55°C ~ +95°C MTBF: 3 million hours
* Sequential performance based on CystalDiskMark 5.1.2 with file size 1000MB	

Headquarters (Taiwan)

5F., No.237, Sec. 1, Datong Rd.,
Xizhi Dist., New Taipei City,
Taiwan (R.O.C.)
Tel: +886-2-77033000
Email: sales@innodisk.com

Branch Offices:

USA
usasales@innodisk.com
+1-510-770-9421
Europe
eusales@innodisk.com
+31-40-3045-400
Japan
jpsales@innodisk.com
+81-3-6667-0161
China
sales_cn@innodisk.com
+86-755-21673689
www.innodisk.com

© 2018 Innodisk Corporation.
All right reserved. Specifications
are subject to change without
prior notice.

20181022

Ordering Information

Operation Temp.	128GB	256GB	512GB
Standard Grade (0°C ~ +70°C)	DGSLM-A28M71EC1QF	DGSLM-B56M71EC1QF	DGSLM-C12M71EC1QF
Industrial Grade (-40°C ~ +85°C)	DGSLM-A28M71EW1QF	DGSLM-B56M71EW1QF	DGSLM-C12M71EW1QF



Backplane
Systems
Technology

Backplane Systems
Technology Pty Ltd

TEL 02 9457 6400
sales@backplane.com.au
www.backplane.com.au

Proudly Australian-Owned Since 1989